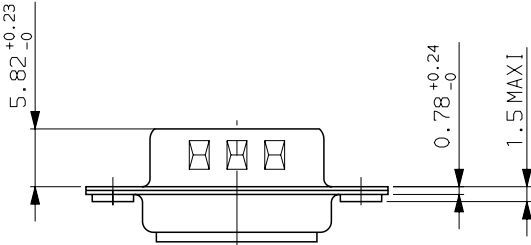
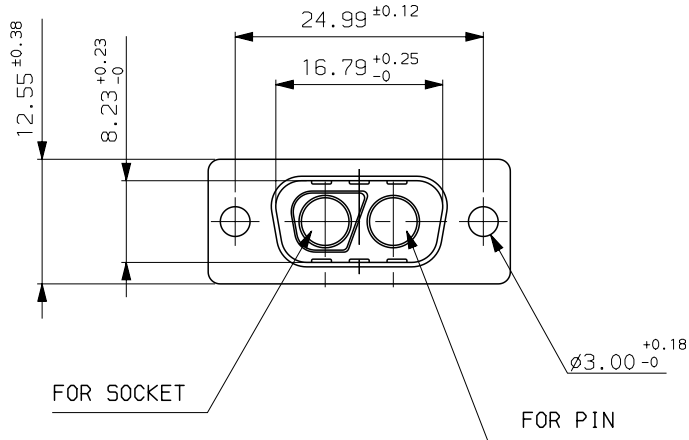
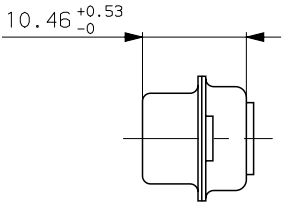
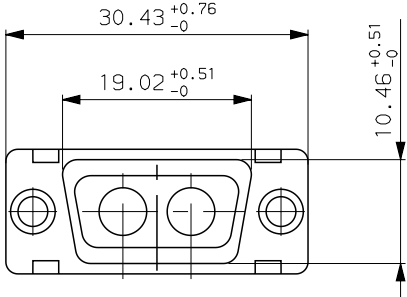


GENERAL CHARACTERISTICS : SEE DRAWING C01-8639-0001



DE2V2PA00  
PART NUMBER



b	07/10/03	update ---	--
ISS	DATE	Latest modification by : DEBRAY.T	MOD N°
Designed by: JARRY		date 02/01/97	Type of drawing: CLIENT
TITLE : PIN CONNECTOR FOR TWO POWERS CONTACTS			SHEET 01
SCALE: 2	FRAMATOME CONNECTORS FRANCE Rue Louis Breguet - BP 05 72024 LE MANS Cedex Tel. 33 (16) 43.84.08.43		This document is the property of FRAMATOME CONNECTORS FRANCE It must not be reproduced or communicated without permission in writing from the owners
FORMAT A3	SOURIAU DRG N° C01-8639-0663		PROJECT M94D001