



EAN:	4013288214188	Size:	300x108x43 mm
Part number:	05020240001	Weight:	604 g
Article number:	6003 Joker 5 Imperial Set 1	Country of origin:	CZ
		Customs tariff number:	82041100

- Especially suitable for tight spaces
- The special mouth geometry expands the placement possibilities of the tool
- The low return angle in the mouth "takes" the screw every 15°
- Slim ring side angled by 15°
- Suitable for docking with the Wera 2go system

As the installation space becomes increasingly tight during screwdriving, it remains necessary that tools enable users to work successfully. Narrow spaces require additional placement points of the tool, to allow screws to be accessed and actuated. Can spanners be modified so that the placement possibilities of the tool increase? The combination of the 7.5° pivoted mouth and the double hexagon geometry doubles the placement points. A repeated 180° turn of the wrench around the longitudinal axis during screwdriving provides four placement possibilities, and bolts or screw heads can be "taken" every 15°. The Joker 6003 with its smart mouth geometry significantly expands the range of uses in confined spaces. The Joker 6003 will automatically find the respective placement point after every turn. The slim yet robust ring side is angled by 15° to the tool axis. The high-quality surface treatment achieves a high and long-lasting corrosion protection. With Take it easy tool finder: colour coding by size. The Joker pouches are suitable for attachment to walls, shelves, workshop trolleys and the Wera 2go system thanks to the hook and loop fastener system on the back.

Web link

https://products.wera.de/en/joker_6003_joker_ring_spanner_mouth_side_with_only_15_back-pivoting_angle_when_things_get_tight_6003_joker_5_imperial_set_1.html

Wera - 6003 Joker 5 Imperial Set 1
05020240001 - 4013288214188

Wera Werkzeuge GmbH
Korzerter Straße 21-25
D-42349 Wuppertal
Tel: +49 (0)2 02 / 40 45-0
E-Mail: info@wera.de

Set contents:



6003 Joker Imperial

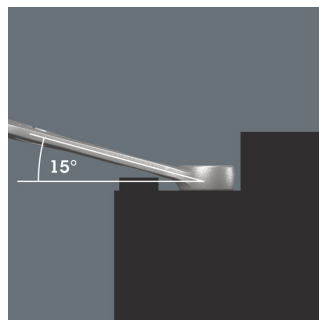
05020211001	1 x 5/16" x 115 mm
05020212001	1 x 3/8" x 125 mm
05020214001	1 x 1/2" x 160 mm
05020215001	1 x 9/16" x 167 mm
05020218001	1 x 3/4" x 230 mm

For very tight spaces



The Joker 6003 ring spanner with its special mouth geometry - a mouth side pivoted by 7.5° and the double hexagon geometry - doubles the placement possibilities when repeatedly turning the wrench 180° around the longitudinal axis. Bolts and screw heads can be "taken" every 15°. The Joker 6003 will automatically find the respective placement point after every turn.

Angled ring side



The ring side is angled at 15° to the tool axis to prevent injury.

"Take it easy" tool finder



"Take it easy" tool finder system - with profile and size colour-coding for quick and easy tool selection. Colour-coded system for hexagon drive screws (L-Keys, Zyklop bit sockets), external hex drive screws and nuts (Joker wrenches, Zyklop sockets and Zyklop bit sockets with holding function), and TORX® drive screws (L-Keys, Zyklop bit sockets).

Suitable for docking with the Wera 2go system



The Joker bags are suitable for attachment to walls, shelves, workshop trolleys and the Wera 2go system thanks to the hook and loop fastener system on the back.

Web link

https://products.wera.de/en/joker_6003_joker_ring_spanner_mouth_side_with_only_15_back-pivoting_angle_when_things_get_tight_6003_joker_5_imperial_set_1.html

Wera - 6003 Joker 5 Imperial Set 1
05020240001 - 4013288214188

Wera Werkzeuge GmbH
Korzter Straße 21-25
D-42349 Wuppertal
Tel: +49 (0)2 02 / 40 45-0
E-Mail: info@wera.de

6003 Joker 5 Imperial Set 1 ring spanner set, Imperial, 5 pieces

Innovations and Spring / Summer Campaign 2020



Web link

https://products.wera.de/en/joker_6003_joker_ring_spanner_mouth_side_with_only_15_back-pivoting_angle_when_things_get_tight_6003_joker_5_imperial_set_1.html

Wera - 6003 Joker 5 Imperial Set 1
05020240001 - 4013288214188

Wera Werkzeuge GmbH
Korzter Straße 21-25
D-42349 Wuppertal
Tel: +49 (0)2 02 / 40 45-0
E-Mail: info@wera.de