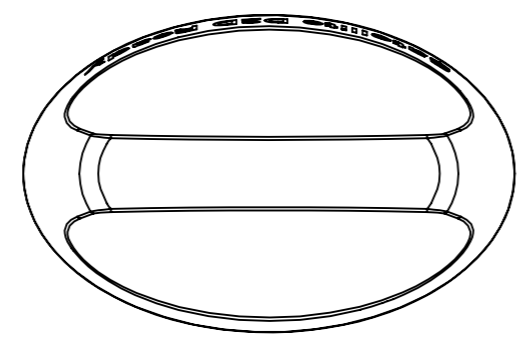


REVISIONS

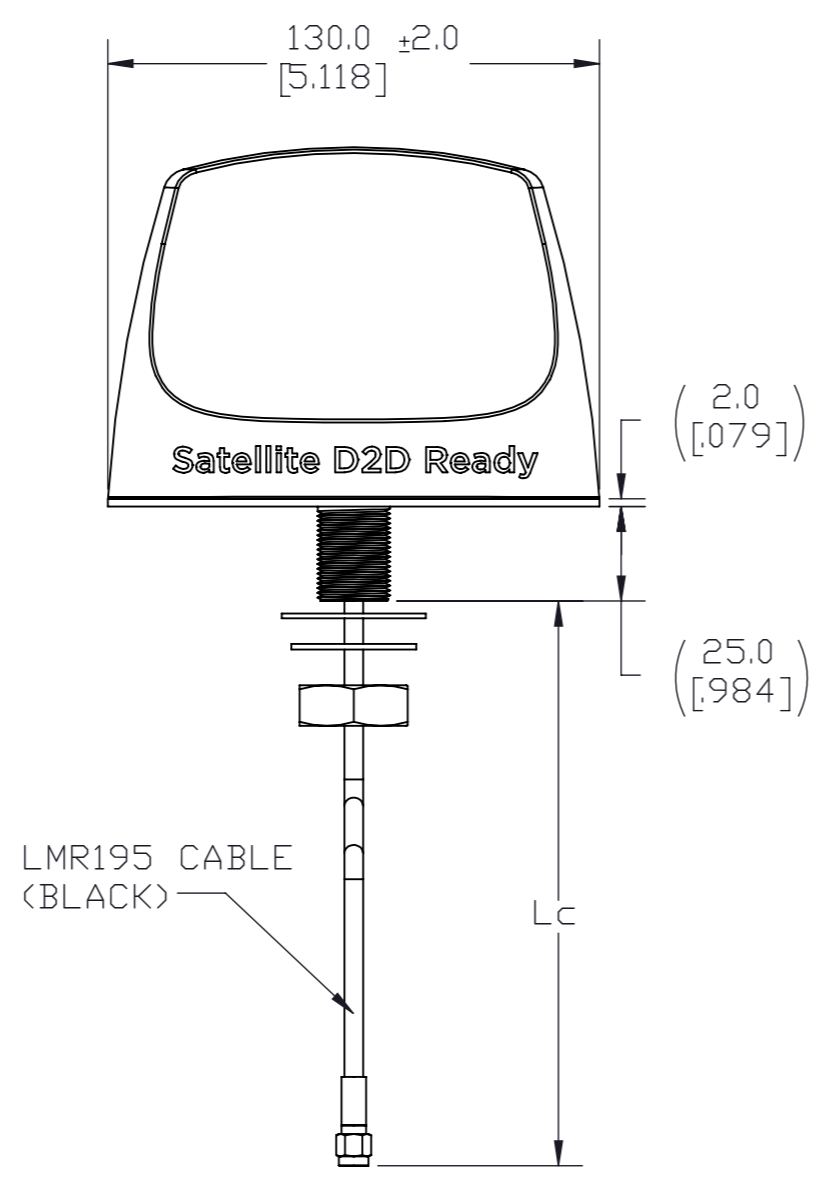
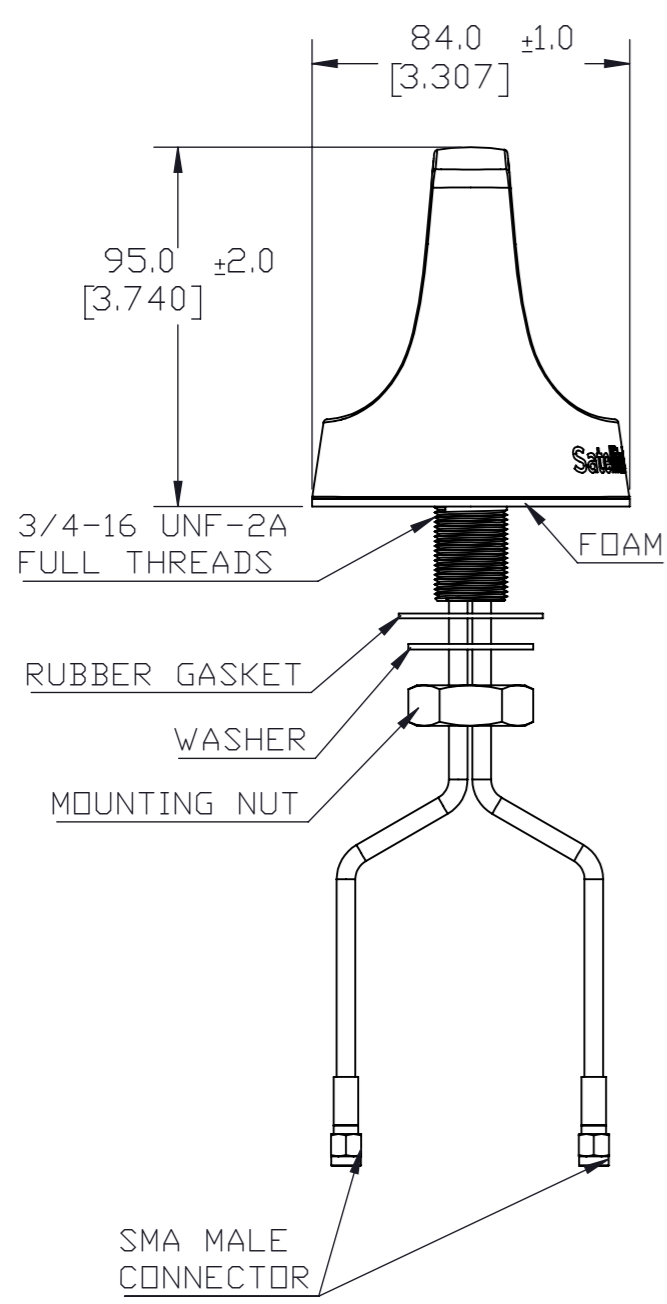
REV	DESCRIPTION	DATE	DWN	APVD
A	PRODUCTION RELEASE	19JUN2025	LC	LL



RF SPEC SUMMARY

PARAMETER	SPECIFICATIONS									
ANTENNA MODEL	L001256-01									
NO. OF PORTS	2 (2-PORTS LTE)									
FREQUENCY BANDS, MHZ	LTE PORT-1 / LTE PORT-2									
	617-698	698-824	824-894	880-960	1350-1550	1690-1880	1850-1990	1910-2180	2300-2500	2500-2700
PEAK GAIN**, DBI (AVERAGE)	2.4	3.1	2.8	2.7	2.7	3.6	3.9	3.5	3.6	2.9
PEAK GAIN**, DBI (MAX)	3.2	4.0	4.0	3.4	4.7	4.1	4.1	4.2	4.0	3.4
VSWR* (MAX)	2.5									
VSWR* (AVERAGE) PORT 1	<1.4	<1.8	<1.9	<1.9	<1.5	<1.3	<1.4	<1.8	<1.8	<1.9
PORT 2	<1.4	<1.8	<1.9	<1.9	<1.5	<1.3	<1.4	<1.8	<1.8	<1.8
PORT-TO-PORT ISOLATION LTE1-TO-LTE2	-8	-10	-10	-10	-15	-17	-18	-18	-18	-25
NOMINAL IMPEDANCE	50 OHMS									
POLARIZATION	LINEAR VERTICAL									
AZIMUTH BEAM WIDTH	360°, OMNIDIRECTIONAL									
INPUT POWER, MAX	50 WATTS									
OPERATING TEMPERATURE	-30°C TO +70°C (-22°F TO +158°F)									
STORAGE TEMPERATURE	-40°C TO +85°C (-40°F TO +185°F)									
DIMENSIONS (LENGTH X WIDTH X HEIGHT)	130.00x84.00x95.00 [5.120x3.310x3.740]									
WEIGHT	343 G (12.1 OZ)									
CONNECTOR	SMA-MALE									
CABLE TYPE	LMR195 (BLACK)									
CABLE - EXPOSED LENGTH	610.00 ± 25.00 [24.000 ± 1.000]									
RADOME/BASEPLATE MATERIAL	PC, UL94 V0 RATING, UV STABLE (BLACK)									
MATERIAL COMPLIANCE	ROHS									

(\*/\*\* MEASURED ON 1FT METAL GROUND PLANE)



THIS DRAWING IS A CONTROLLED DOCUMENT.

DIMENSIONS:	TOLERANCES UNLESS OTHERWISE SPECIFIED:
mm	0 PLC ± 0.5
	1 PLC ± 0.25
	2 PLC ± 0.130
	3 PLC ±
	4 PLC ±
	ANGLES ± 30°
MATERIAL	FINISH
N/A	N/A

DWN	19JUN25
LC TAN	
CHK	
APVD	19JUN25
LL TEQH	
PRODUCT SPEC	
REFER TABLE	
APPLICATION SPEC	
N/A	
REFER TABLE	
CUSTOMER DRAWING	



OMNI,DB,Ph,617/1690 MHZ

SIZE	CAGE CODE	DRAWING NO	RESTRICTED TO
A3	00779	C=L001256-01	
SCALE	SHEET	REV	
1:2	1 OF 1	A	