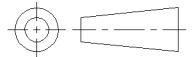


DO NOT SCALE

DIMENSIONS IN mm

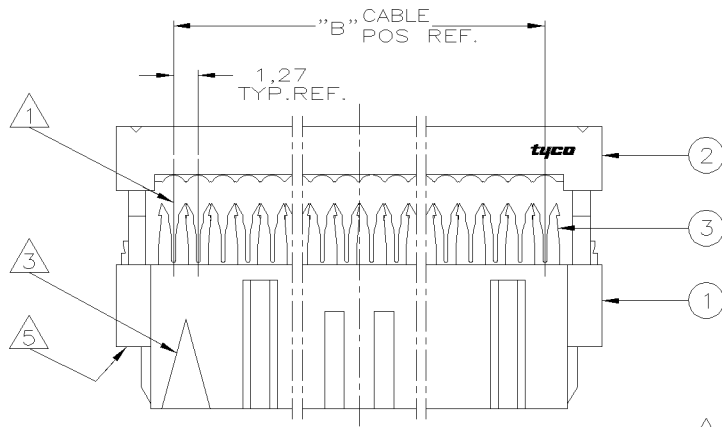
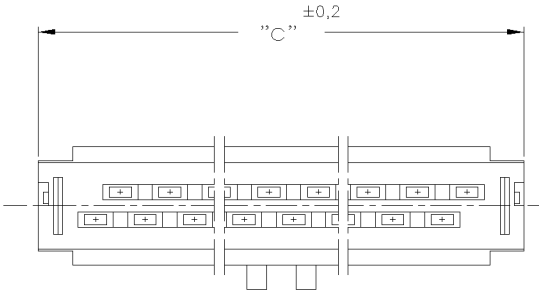
METRIC

THIRD ANGLE  
PROJECTION

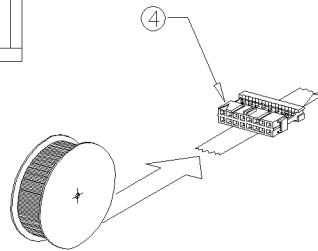
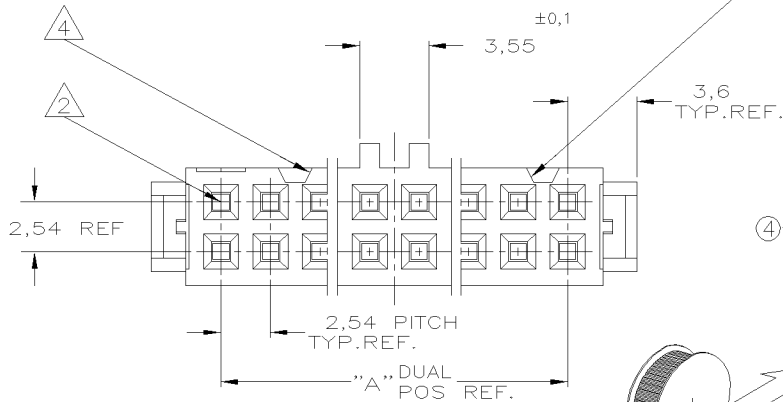
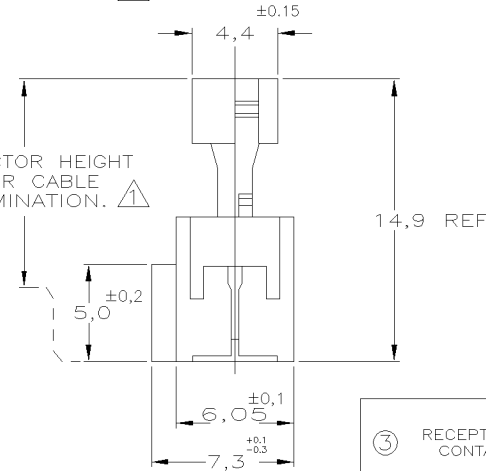


NOTES:

- ① CONNECTOR IS DESIGNED FOR FLAT RIBBON CABLE ON 1,27 CENTERS .  
FOR CABLE REQUIREMENTS SEE AMP APPLICATION SPECIFICATION 114-19022.
- ② THESE RECEPTACLE CONNECTORS MATE WITH 0,64<sup>+0,05</sup>mm SQUARE OR ROUND POSTS  
ON 2,54mm GRID.
- ③ MARK INDICATING FIRST CABLE POSITION REFERRING TO CONTACT POSITION.
- ④ THERE IS NO POLARIZATION-SLOT AT THIS END IN 4, 6, 8, 10 AND 14 POS CONNECTORS.
- ⑤ THESE CONNECTORS CAN BE USED IN CONJUNCTION WITH STRAIN-RELIEF COVERS  
OF PARTNR: 100103.
- ⑥ THERE IS NO POLARIZATION-SLOT AT THIS END IN 4, 6, AND 8 POS CONNECTORS.
- ⑦ PRODUCT SPECIFICATION 108-19033.



CONNECTOR HEIGHT  
AFTER CABLE  
TERMINATION. ①



POS.	POS.	POS.	POS.	POS.	POS.
1000	85,9	64	32	6-215919-4	D
1000	80,8	60	30	6-215919-0	D
1000	68,1	50	25	5-215919-0	D
1500	60,5	44	22	4-215919-4	D
1500	55,4	40	20	4-215919-0	D
1500	47,8	34	17	3-215919-4	D
1500	37,6	26	13	2-215919-6	D
1500	30,0	20	10	2-215919-0	D
1500	24,9	16	8	1-215919-6	D
1500	22,4	14	7	1-215919-4	D
1500	17,3	10	5	1-215919-0	D
OBSELETE	1500	14,8	8	0-215919-8	C
1500	12,2	6	3	0-215919-6	D
OBSELETE	1500	9,7	4	0-215919-4	C
QUANTITY PER REEL	DIM. "C"	"B" CABLE POS.	"A" DUAL POS.	PARTNUMBER	PART REV.

③ RECEPTACLE CONTACT	PHOSPHORBRONZE Cu Sn6	AT CONTACT-PLACE: 0,2µmGOLD AT WIRING END: 2,5µmTIN ENTIRE UNDERCOATING: 1,27µmNICKEL
② COVER	THERMOPLASTIC POLYESTER GF UL 94 -V0	GREY RAL 7032 ONLY FOR REF.
① HOUSING		
COMPONENT NAME	MATERIAL	PLATING / COLOUR

CUSTOMER DRAWING				FOR REFERENCE ONLY WILL NOT BE UPDATED		
© COPYRIGHT 19 - BY AMP HOLLAND B.V. ALL INTERNATIONAL RIGHTS RESERVED. AMP PRODUCTS MAY BE COVERED BY U.S. AND FOREIGN AND/OR PATENTS PENDING. THIS DRAWING IS UNPUBLISHED RELEASED FOR PUBLICATION ,19 -						
D5	ECR06-29576	A.V.	R.M.	15-12-06	AMP ITALIA S.p.A Corso F.LLI Cervi, 15 COLLEGNO (TORINO)	
D4	ET00-0243-04	A.V.	R.M.	21-03-05		
D3	ET00-0159-04	A.V.	R.M.	13-07-04		
D2	ET00-0180-03	A.V.	R.M.	19-01-04		
D1	ET00-0093-03	SS	-	23-05-03		
LTR:	REVISION RECORD	DR.	CHK.	DATE	NAME	
DR.:	R.HOGEVEEN	CHK.:	R.VERSTIJNEN	APP.:	LV.SOEST	DWG.No.
DATE:	02-02-88	DATE:	03-02-88	DATE:	03-02-88	C-215919
						SIZE
						A3
						SHEET
						1 of 1
						REV.LTR.
						D5