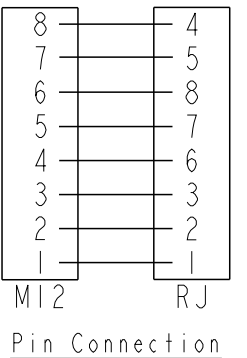
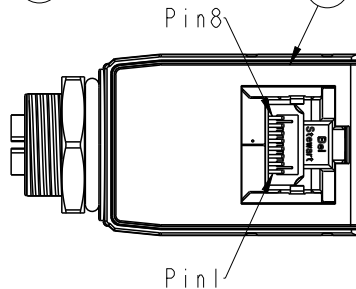
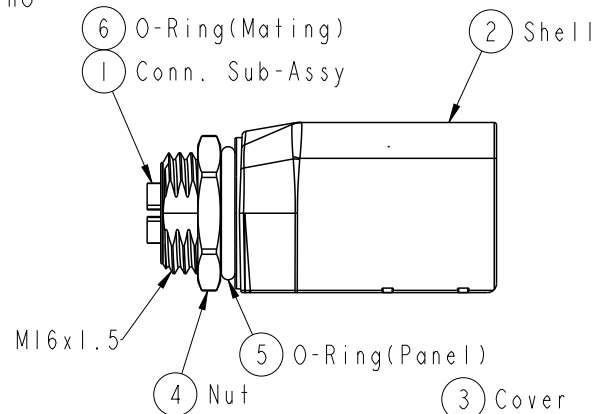
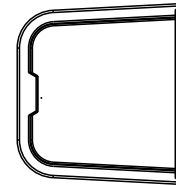
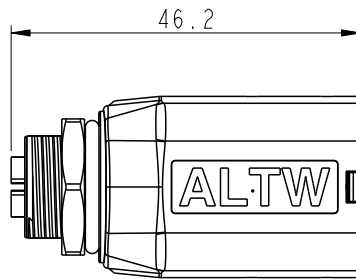
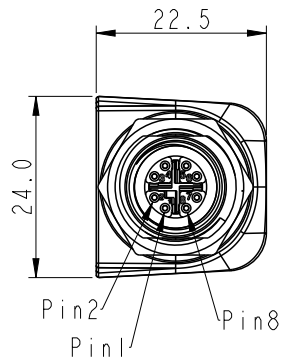
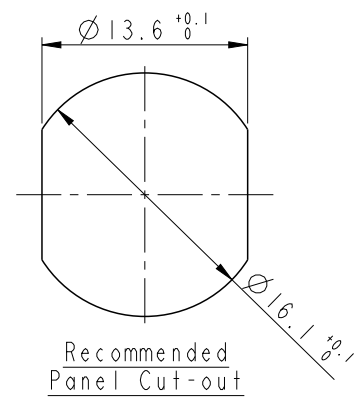


ALTW  
CONFIDENTIAL  
2017-11-24  
R&D DEPT.

ALTW  
DCC. DEPT.  
CONFIDENTIAL  
2017.12.12  
ISSUED



Note:

- \*  $\varnothing$  Important Dimension to Check.
- \* Waterproof Rate: IP67 Unmated (M12 side)
- \* M12 Housing: Nylon+GF, Black
- \* M12 Female Pin: Copper Alloy, Gold Plated
- \* RJ45 Contacts: Copper Alloy, Gold Plated
- \* Shell: Zinc Alloy, Nickel Plated
- \* Cover: Nylon+GF, Black
- \* Nut: Zinc Alloy, Nickel Plated
- \* Temperature Range: -25~+85°C
- \* Transmission Rate: FLUKE TIA Cat 6A Perm. Link
- \* Panel Thickness Max.: 3.0mm

REV.	ECN NO.	DATE	SIGN	DESCRIPTION

UNIT: mm		
TOLERANCE		
.X	±0.25	
.XX	±0.1	
.XXX	±0.05	
ANGLES	±1°	

TITLE M12 X-code to RJ45 ADAPTER ANGLED			
SCALE 1:1	SIZE A4	SHEET 1 OF 1	
REV. A	WC-REV. A.29	☉: Inspection item	

**Amphenol LTW**  
安費諾亮泰企業股份有限公司

ITEM NO. RJS-12X08FF-RS7001	DRAWN BY Gaotong	DATE 2017/11/24
DWG NO. RJS-12X08FF-RS7001	CHECKED BY Neo	DATE 2017/11/24
CUSTOMER ALTW	APPROVED BY Max	DATE 2017/11/24

THIS DOCUMENT IS SUBJECT TO CHANGE WITHOUT NOTICE. IT IS CONFIDENTIAL AND A PROPERTY OF Amphenol LTW. DISCLOSURE TO THIRD PARTY HAS TO BE AUTHORIZED BY Amphenol LTW.