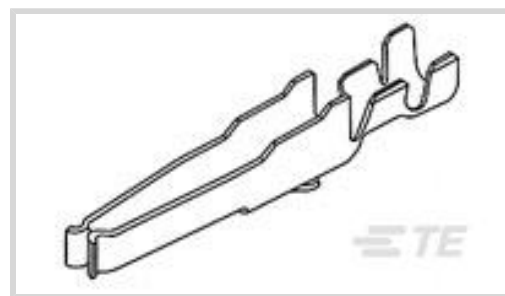




Connectors > PCB Connectors > Backplane Connectors > Rack & Panel Backplane > Rack & Panel Contacts



Contact Configuration: **Snap-In**

Length: **22.2 mm [.87 in]**

Contact Mating Area Plating Material: **Gold**

Connector System: **Cable-to-Cable**

Connector & Contact Terminates To: **Wire & Cable**

Features

Product Type Features

Product Type	Contact
DIN Level	II
Connector System	Cable-to-Cable
Connector & Contact Terminates To	Wire & Cable

Body Features

Body Style	Straight
------------	----------

Contact Features

Contact Mating Area Plating Thickness	.75 μ m
Contact Angle	Straight
Contact Base Material	Phosphor Bronze
Contact Configuration	Snap-In
Contact Mating Area Plating Material	Gold

Termination Features

Termination Method to Wire & Cable	Crimp
------------------------------------	-------

Mechanical Attachment

Contact Retention in Housing	Crimp Snap-In
------------------------------	---------------

Dimensions

Accepts Wire Insulation Diameter Range	26 – 20 mm[1.1 – 1.8 in]
Wire Size	.875 mm ²

Length	22.2 mm[.87 in]
--------	-----------------

Usage Conditions

Operating Temperature Range	-55 – 125 °C[-67 – 257 °F]
-----------------------------	----------------------------

Operation/Application

For Use With	Type F Vertical Housing
Circuit Application	Signal

Packaging Features

Packaging Method	Strip
------------------	-------

Product Compliance

[For compliance documentation, visit the product page on TE.com>](#)

EU RoHS Directive 2011/65/EU	Compliant
EU ELV Directive 2000/53/EC	Compliant
China RoHS 2 Directive MIIT Order No 32, 2016	No Restricted Materials Above Threshold
EU REACH Regulation (EC) No. 1907/2006	Current ECHA Candidate List: JAN 2019 (197) Candidate List Declared Against: JAN 2019 (197)
Halogen Content	Low Halogen - Br, Cl, F, I < 900 ppm per homogenous material. Also BFR/CFR/PVC Free
Solder Process Capability	Not applicable for solder process capability

Product Compliance Disclaimer

This information is provided based on reasonable inquiry of our suppliers and represents our current actual knowledge based on the information they provided. This information is subject to change. The part numbers that TE has identified as EU RoHS compliant have a maximum concentration of 0.1% by weight in homogenous materials for lead, hexavalent chromium, mercury, PBB, PBDE, DBP, BBP, DEHP, DIBP, and 0.01% for cadmium, or qualify for an exemption to these limits as defined in the Annexes of Directive 2011/65/EU (RoHS2). Finished electrical and electronic equipment products will be CE marked as required by Directive 2011/65/EU. Components may not be CE marked. Additionally, the part numbers that TE has identified as EU ELV compliant have a maximum concentration of 0.1% by weight in homogenous materials for lead, hexavalent chromium, and mercury, and 0.01% for cadmium, or qualify for an exemption to these limits as defined in the Annexes of Directive 2000/53/EC (ELV). Regarding the REACH Regulations, TE's information on SVHC in articles for this part number is still based on the European Chemical Agency (ECHA) 'Guidance on requirements for substances in articles' (Version: 2, April 2011), applying the 0.1% weight on weight concentration threshold at the finished product level. TE is aware of the European Court of Justice ruling of September 10th, 2015 also known as O5A (Once An Article Always An Article) stating that, in case of 'complex object', the threshold for a SVHC must be applied to both the product as a whole and simultaneously to each of the articles forming part of its composition. TE has evaluated this ruling based on the new ECHA "Guidance on requirements for substances in articles" (June 2017, version 4.0) and will be updating its statements accordingly.

Compatible Parts



TE Part # 2266478-1
OC-AT-S-FM-062F0900-001-0283



TE Part # 7-2266478-7
OC-062F0900-CRIMPTOOLINGKIT



TE Part # 2266478-2
OC-AT-S-FA-062F0900-001-0283



TE Part # 2-2266478-1
OC-PA-S-FM-062F0900-001-0283



TE Part # 2305570-1
TERMINAL CUTTER, SIDE FEED



TE Part # 2-2266478-2
OC-PA-S-FA-062F0900-001-0283

Customers Also Bought



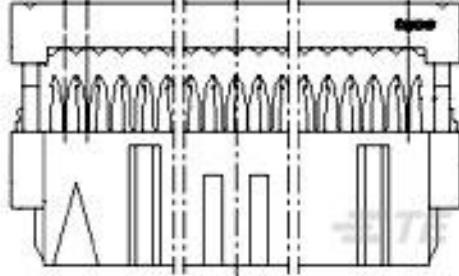
TE Part #166569-1
IEC FEMALE HSG.ASSY



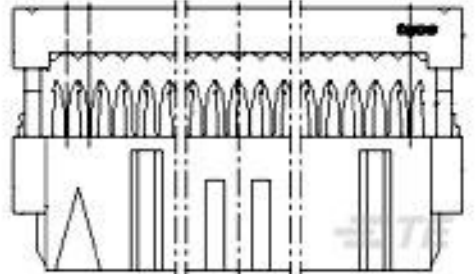
TE Part #1579008-5
EXTRACTION TOOL



TE Part #6-100103-0
60P.A/L.STRAIN REL.



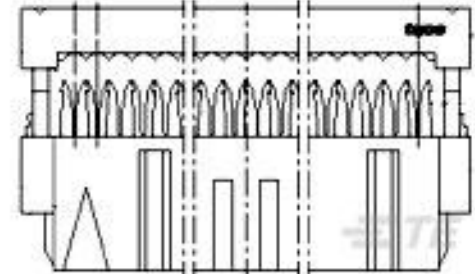
TE Part #1-215915-4
AMP-LATCH 15.2 HIGH TAPE



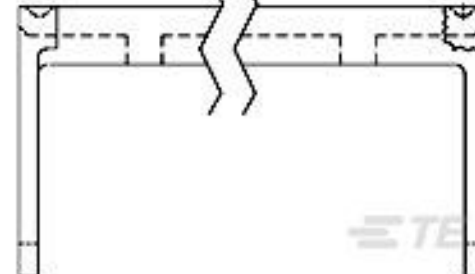
TE Part #5-215915-0
AMP-LATCH 15.2 HIGH TAPE



TE Part #166461-3
IEC-F F.CONT.COSI



TE Part #6-215915-4
AMP-LATCH 15.2 HIGH TAPE



TE Part #8-1437020-6
609-2031HD=FSKT IDC S 20 SR



TE Part #151667-4
FF 375 REC TERMINAL 11-10 AWG PBR



TE Part #8-52950-1
PG SPR SPD 22-16COMM 22-18MIL8

Documents



Product Drawings

[IEC-F F.CONT.COSI](#)

English

CAD Files

Customer View Model

[ENG_CVM_CVM_166460-3_L.2d_dxf.zip](#)

English

3D PDF

3D

Customer View Model

[ENG_CVM_CVM_166460-3_L.3d_igs.zip](#)

English

Customer View Model

[ENG_CVM_CVM_166460-3_L.3d_stp.zip](#)

English

Product Environmental Compliance

[TE Material Declaration](#)

English