



ENGLISH

Datasheet

RS Article:1854627

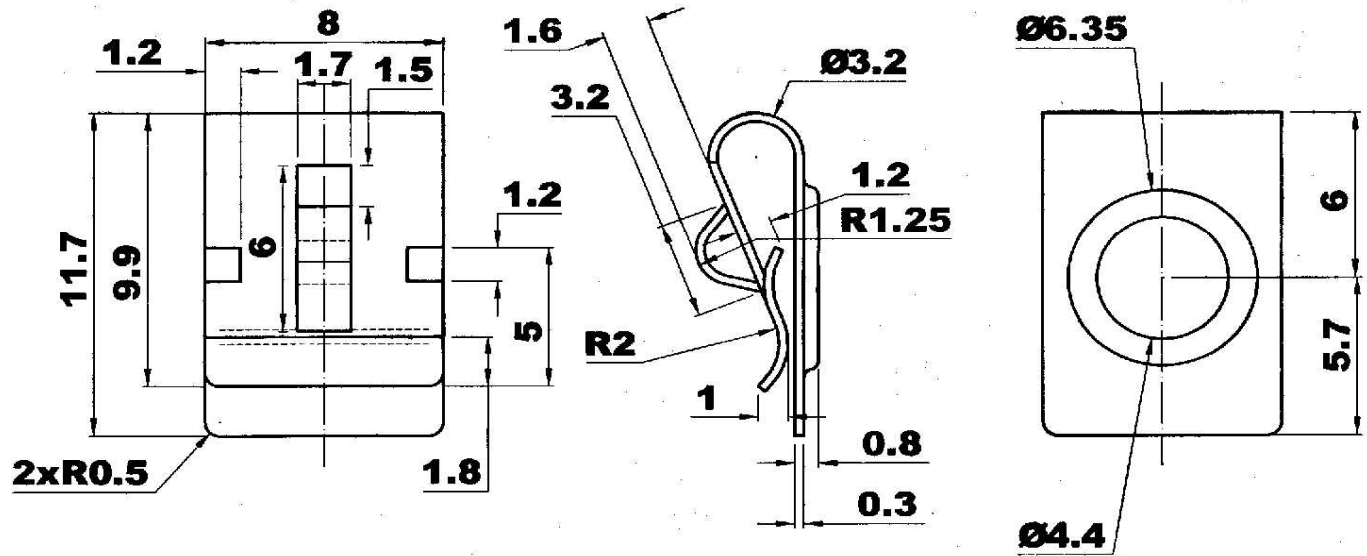
RS Pro Battery Contact



1. Preface:

The purpose of this product specification is to Dimension and drawing

Battery Contact for AA



Measure: mm