



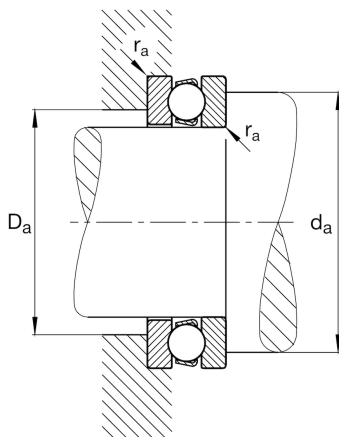
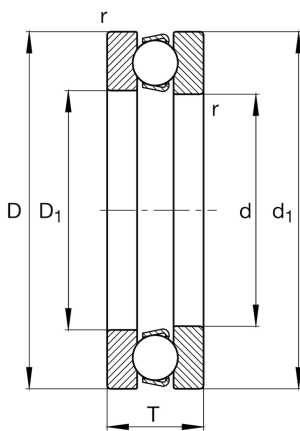
FAG

**51211**

Axial deep groove ball bearing

Schaeffler ID:  
0167150980000Axial deep groove ball bearing 512, single  
direction, steel sheet metal cage

## Technical information

**Main Dimensions & Performance Data**

d	55 mm	Inner diameter shaft washer
D	90 mm	Outer diameter housing washer
T	25 mm	Height
$C_a$	58,000 N	Basic dynamic load rating, axial
$C_{0a}$	133,000 N	Basic static load rating, axial
$C_{ua}$	6,000 N	Fatigue load limit, axial
$n_G$	4,350 1/min	Limiting speed
$n_{gr}$	5,700 1/min	Reference speed
	0.557 kg	Weight

**Mounting dimensions**

$d_{a \min}$	76 mm	Minimum diameter shaft shoulder
$D_{a \max}$	69 mm	Maximum diameter of housing shoulder
$r_{a \max}$	1 mm	Maximum filled radius

**Dimensions**

$r_{\min}$	1 mm	Minimum chamfer dimension
$d_1$	90 mm	Outer diameter shaft washer

**Temperature range**

$T_{\min}$	-30 °C	Operating temperature min.
$T_{\max}$	150 °C	Operating temperature max.

**Calculation factors**

A	0.11	Minimum load factor
---	------	---------------------