

PTR2700

4G & Pentaband Multiposition Antenna

Features

- ◆ Groundplane Independent
- ◆ Covers cellular, GSM, 3G & 4G bands
- ◆ Locks in three positions for flexibility
- ◆ Ideal for fixed and mobile terminals

Specifications

Radiating element	1/2 Wave Element
Frequency range	806-960/1710-2170/2500-2700 MHz
Gain	1.5 dBi
Polarisation	Linear
VSWR	< 2.7:1
Power rating	10W
Connector	SMA-Male (multiposition)
Dimensions	171 x 18mm (max)

Popular Ordering Options

FPTR35235-SM-KR	PTR2700 antenna with SMA-Male connector
-----------------	---

Specifications subject to change without notice.

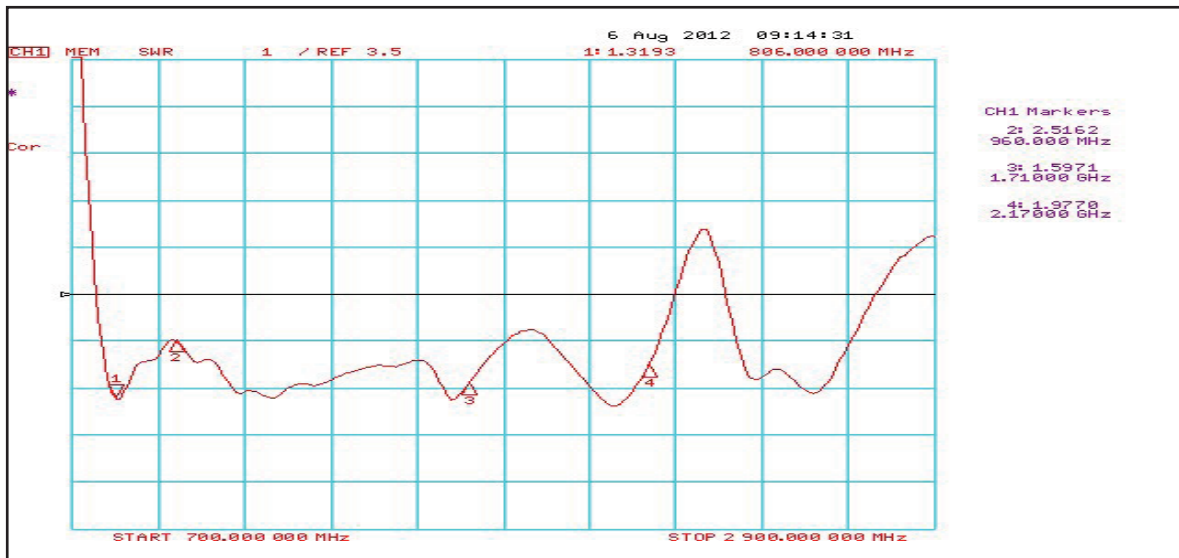
5 Little Balmer
Buckingham Industrial Park
Buckingham
MK18 1TF
UK

Tel: +44 (0)1280 824055
Fax: +44 (0)1280 817179
Email: sales@ead-ltd.com
Web: www.ead-ltd.com

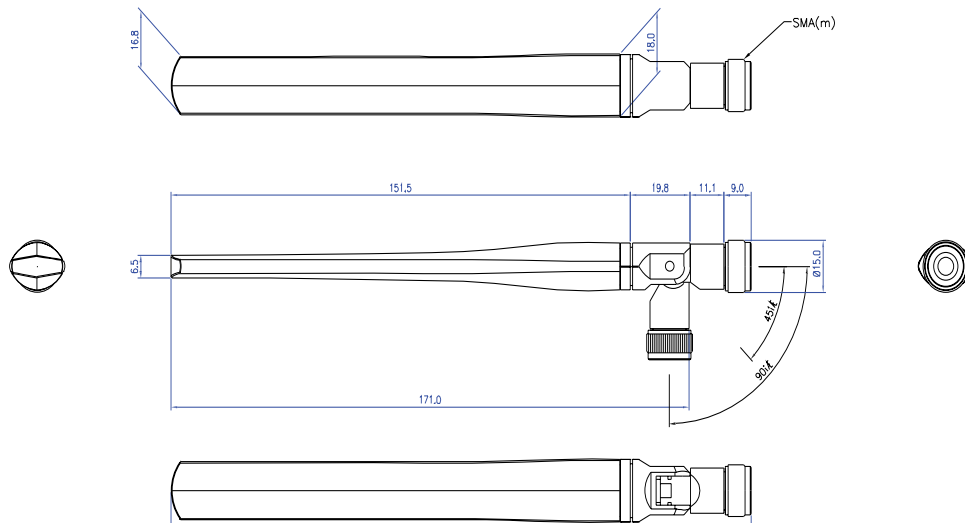


PTR2700| 4G & PentaBand Multiposition Antenna

Return Loss



Outline Drawing



Specifications subject to change without notice.

5 Little Balmer
Buckingham Industrial Park
Buckingham
MK18 1TF
UK

Tel: +44 (0)1280 824055
Fax: +44 (0)1280 817179
Email: sales@ead-ltd.com
Web: www.ead-ltd.com