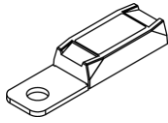
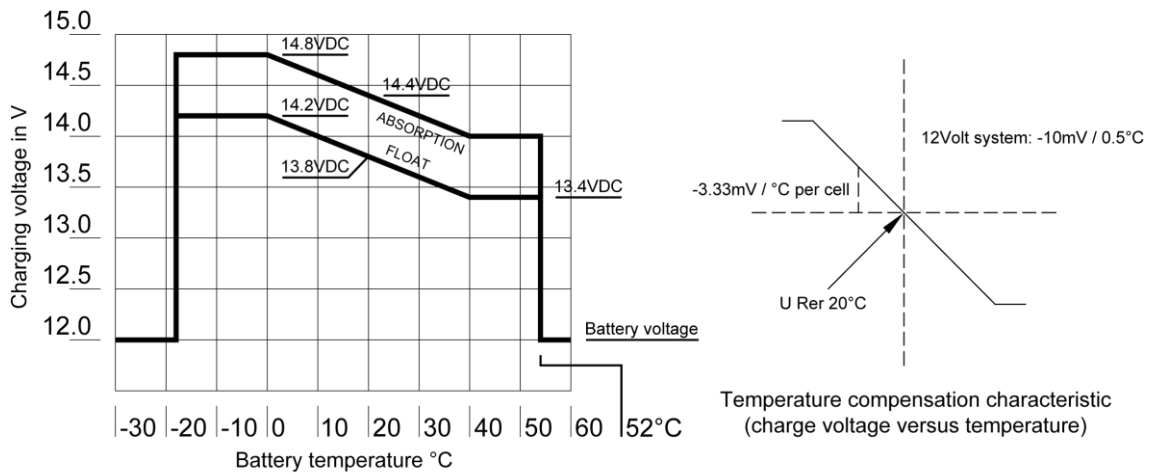


Battery Temperature Sensor 25ft



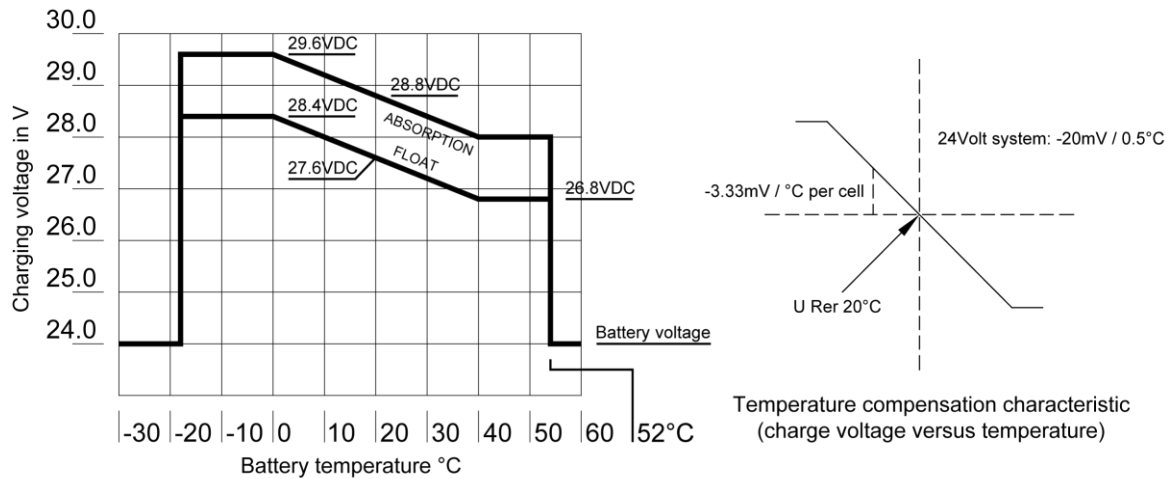
Temperature Compensation

■ CX12xx Series model



※ In the CV=14.4V and float=13.8V situation. Please follow this rule in other situations.

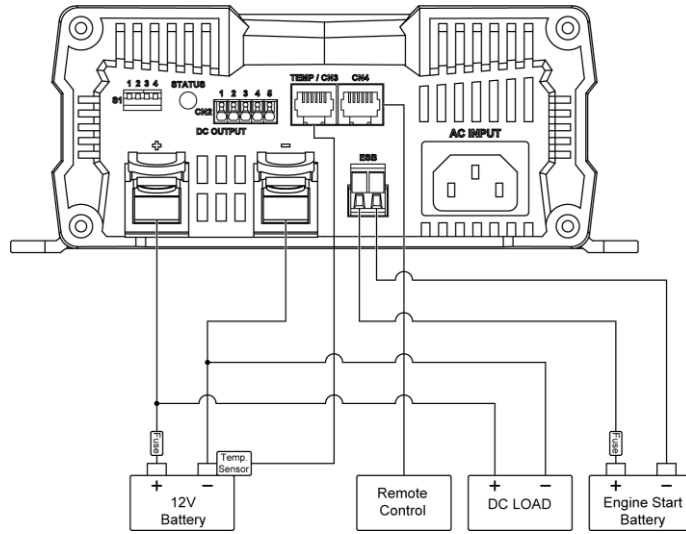
■ CX24xx Series model



※ In the CV=28.8V and float=27.6V situation. Please follow this rule in other situations.

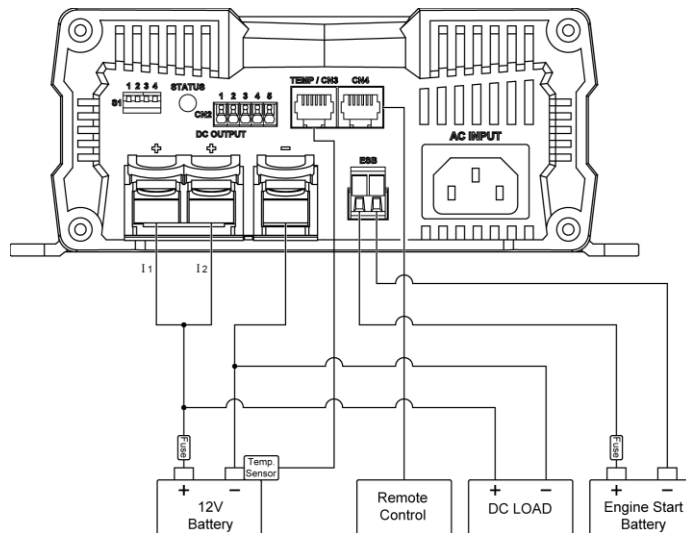
Battery charger connection diagram

Model: CX1215

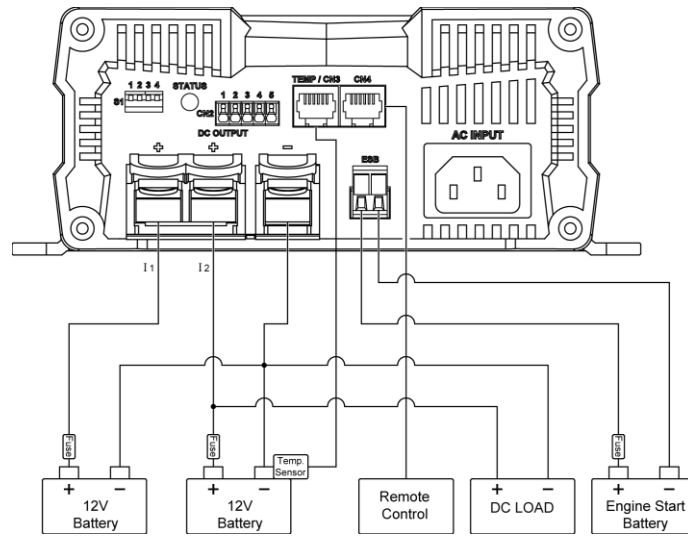


Single output charging	CX1215	15A MAX
------------------------	--------	---------

Model: CX1225/CX1235/2415

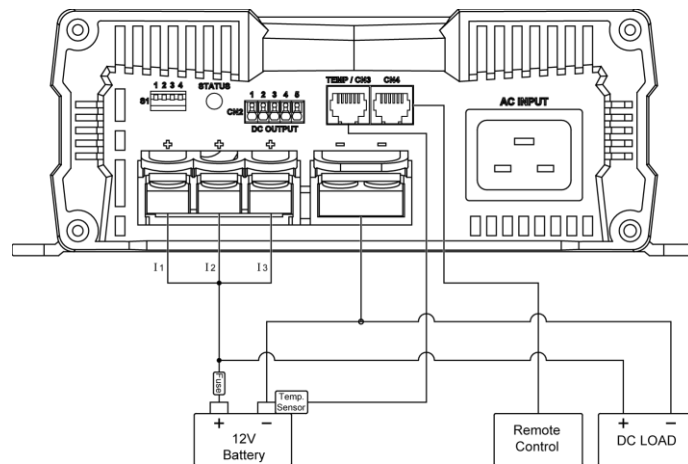


I1 + I2	CX-1225	25A MAX
	CX-1235	35A MAX
	CX-2415	12.5A MAX

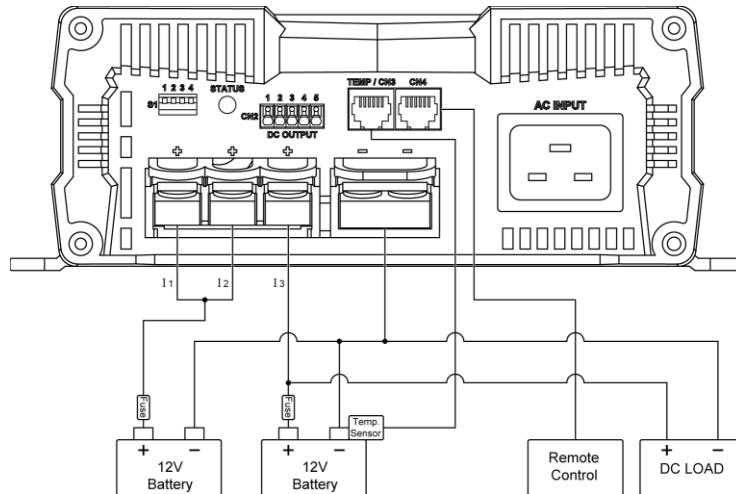


I1 or I2	CX-1225	25A MAX
	CX-1235	35A MAX
	CX-2415	12.5A MAX

Model: CX1250/CX1280/2425/2440

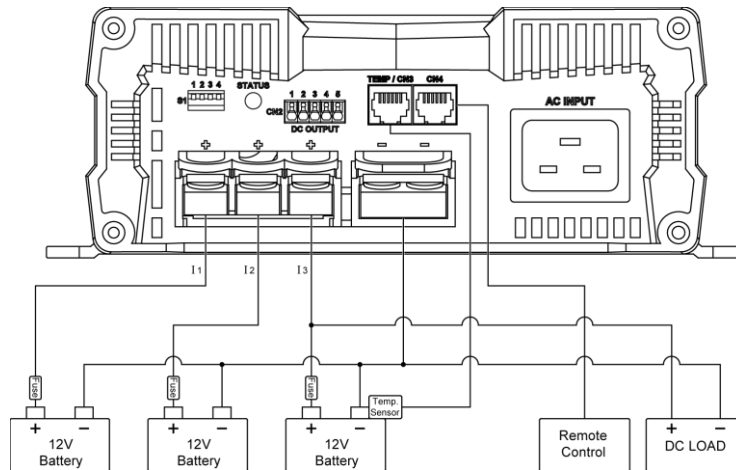


I1+I2+I3	CX-1250	50A MAX
	CX-1280	80A MAX
	CX-2425	25A MAX
	CX-2440	40A MAX



I1+I2	CX-1250	50A MAX
	CX-1280	80A MAX
	CX-2425	25A MAX
	CX-2440	40A MAX

I3 Single output charging	CX-1250	40A MAX
	CX-1280	40A MAX
	CX-2425	25A MAX
	CX-2440	40A MAX



Single output charging	CX-1250	40A MAX
	CX-1280	40A MAX
	CX-2425	25A MAX
	CX-2440	40A MAX