

Datasheet

RS Pro Armature Plate For Electro Magnets

RS Stock No: **739-3217**



Product Details

RS Pro armature plate is a basic plated steel disc, designed to complement the RS energise to release and energise to hold magnets. It is suitable for use with electro magnets.

Features and Benefits

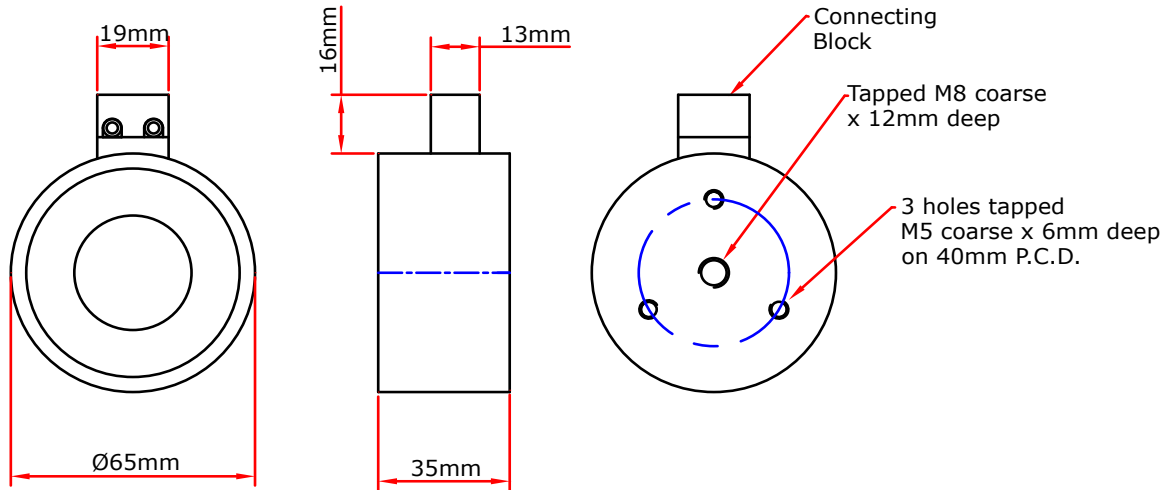
- Basic plated steel discs, designed to complement the RS Energise to Release and Energise to Hold magnets
- Armature plate type
- Suitable for use with electro magnets



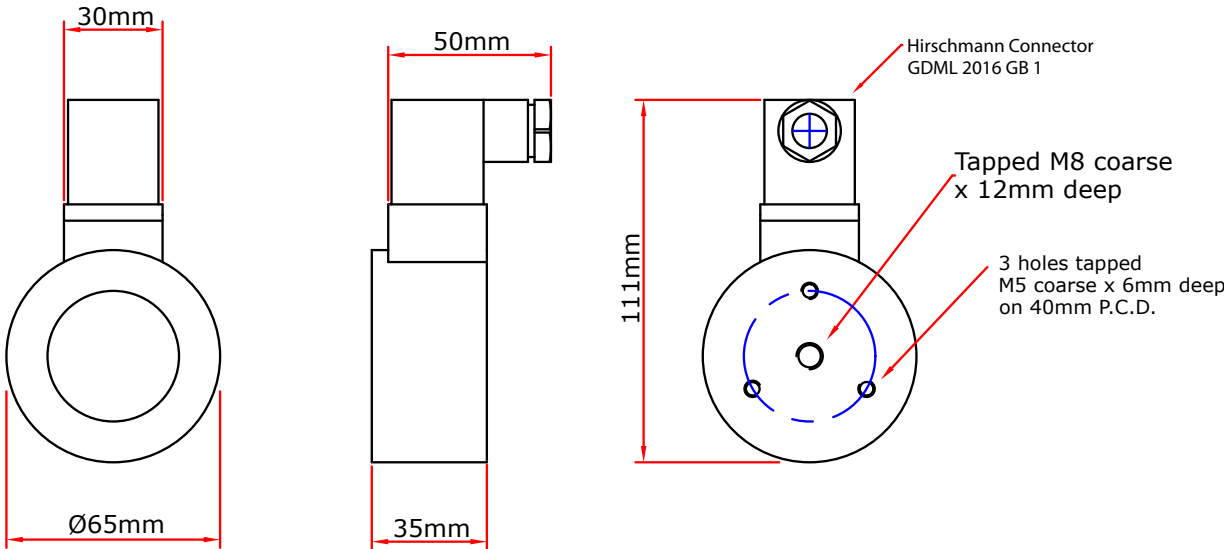
Specifications:

Accessory Type	Armature Plate
For Use With	Electro Magnets
Diameter	65 mm
Finish	Bright Nickel Plated

Dimensions



Two-pole connector



Hirschman connector