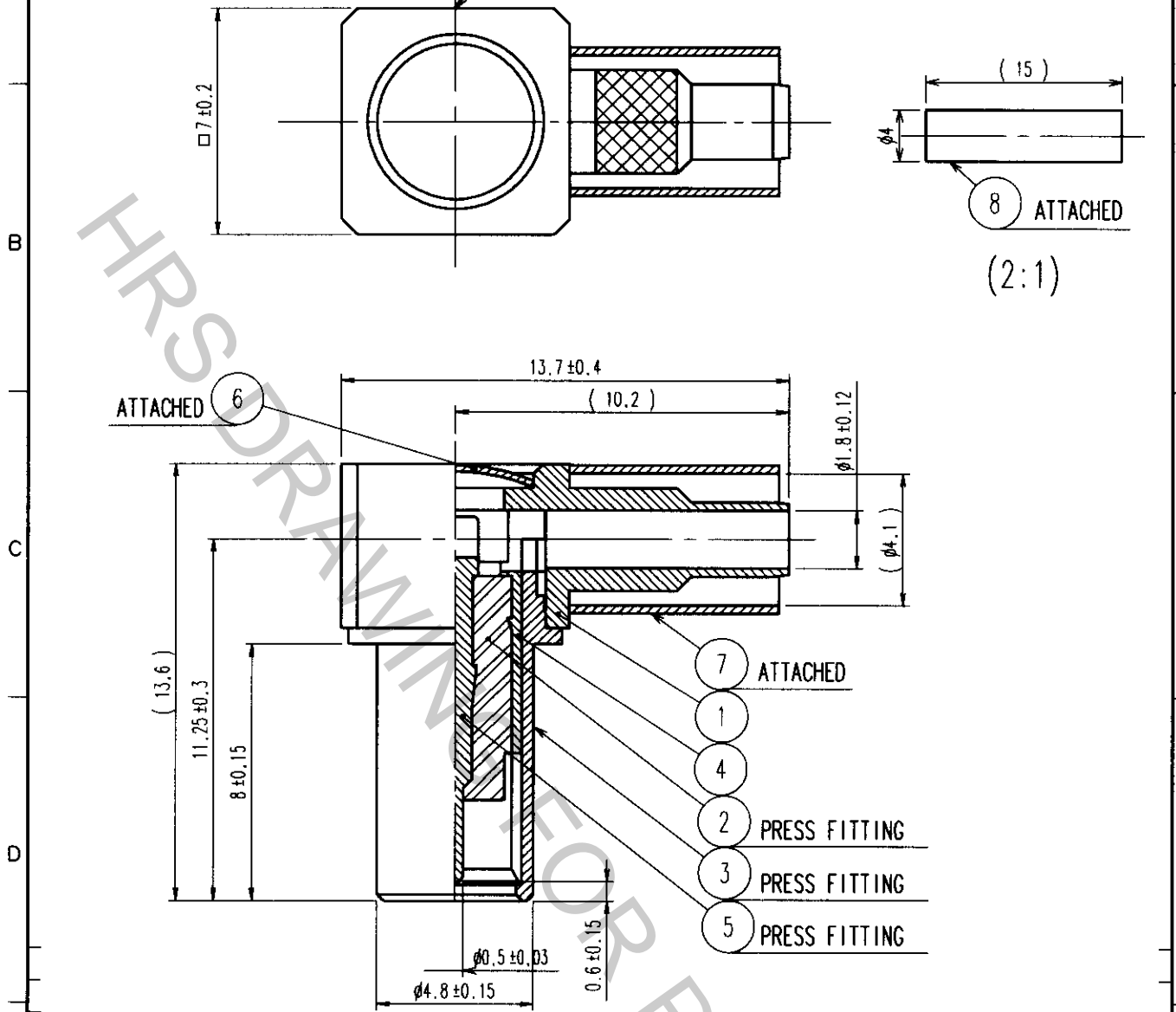



Jun.1.2018 Copyright 2018 HIROSE ELECTRIC CO., LTD. All Rights Reserved.
 In case of consideration for using Automotive equipment/
 device which demand high reliability, kindly contact our sales window correspondents.

COUNT	DESCRIPTION OF REVISIONS	BY	CHKD	DATE	COUNT	DESCRIPTION OF REVISIONS	BY	CHKD	DATE
1	RE-J-01696	K.HIDAKAWA		01.4.16					

ASSEMBLY PROCEDURE : ETAD-J0025 

ASSEMBLY TOOL : FOR THE OUTER CONTACT PO-P-2-T
 FOR THE COVER UM-T-1





NOTE 1. USE THIS CONNECTOR WITH MS-147 (CL358-0150-5) CONTACT MATED.
 MARKING HRS

4	PHOSHOR BRONZE	NICKEL	8	POLYOLEFIN	HEAT SHRINK TUBING
3	PHOSHOR BRONZE	NICKEL	7	COPPER	NICKEL
2	PTFE		6	BRASS	NICKEL
1	BRASS	NICKEL	5	PHOSHOR BRONZE	GOLD
NO.	MATERIAL	FINISH, REMARKS	NO.	MATERIAL	FINISH, REMARKS

CODE NO. (OLD)	DRAWN	DESIGNED	CHECKED	APPROVED	RELEASED
	K.HIDA 00.2.17	K.HIDA 00.2.17	R.KANO 00.2.17	Y.MIYAKE 00.2.17	

TO
 RFD

 SACLE 5 : 1 UNITS mm	DRAWING NO. EDC4-180161	PART NO. MS-147-C(LP)-1
	 HIROSE ELECTRIC CO.,LTD.	CODE NO. CL358-0155-9

