

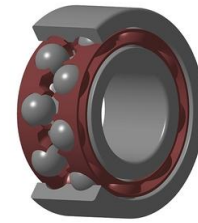


Brand of NTN corporation

Technical data

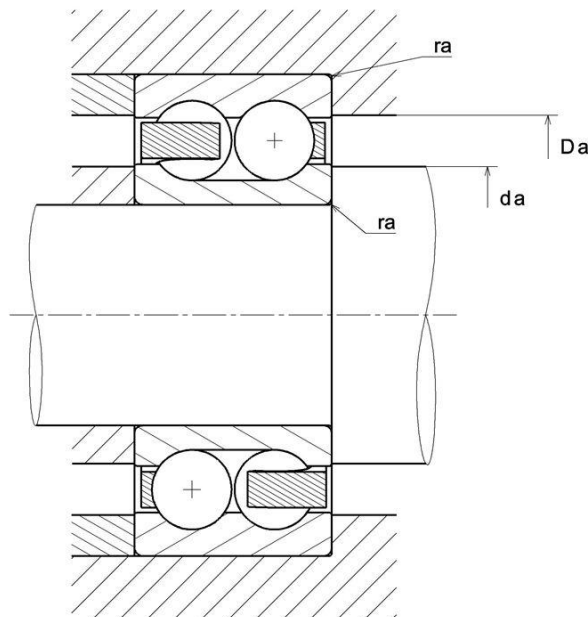
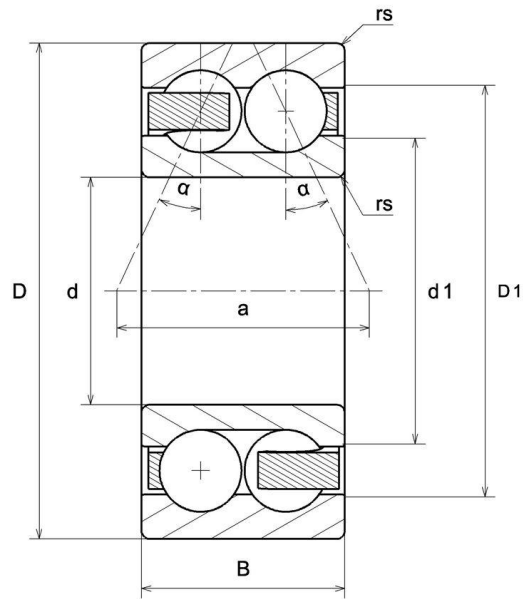
3212A

Double row angular contact ball bearings



Double row angular contact ball bearing, polyamide cage, open

VISUAL (S)



NTN Europe

1 rue des Usines · BP 2017 · 74010 Annecy Cedex · France · Tel. +33 (0)4 50 65 30 00
S.A. au capital de 322 639 919 € · RCS ANNECY B 325 821 072 · Id. Fiscale : FR 48 325 821 072
SIRET 325 821 072 00015 · Code APE 2815 Z · Code NACE 28.15

3212A

Double row angular contact ball bearings

PRODUCT DEFINITION

Brand	SNR
d - Internal diameter	60 mm
D - External diameter	110 mm
B - Bearing/Inner ring width	36,5 mm
d1 - External diameter inner ring	75,8 mm
D1 - Inner diameter outer ring	94,4 mm
a - Charge load application point	55,1 mm
- Contact angle	25 °
rs - Min fillet radius	1,5 mm
Radial clearance class	CN
Precision class	P0
Mass	1,18 kg

PRODUCT PERFORMANCE

C - Dynamic load	68000000 mN
C0 - Static load	61500000 mN
Cu - Fatigue limit load	3700000 mN
f0 - Coefficient	14.9
N ref - Reference thermal speed	31200 °/s
N lim - Mechanical Limit Speed	34800 °/s
Tmin - Min operating temperature	253,15 °K
Tmax - Max operating temperature	393,15 °K

BEARING FREQUENCIES

BPFO - Over rolling frequency on outer ring (60 rpm)	4.196 Hz
---	----------



NTN Europe

1 rue des Usines · BP 2017 · 74010 Annecy Cedex · France · Tel. +33 (0)4 50 65 30 00
S.A. au capital de 322 639 919 € · RCS ANNECY B 325 821 072 · Id. Fiscale : FR 48 325 821 072
SIRET 325 821 072 00015 · Code APE 2815 Z · Code NACE 28.15

3212A

Double row angular contact ball bearings

BEARING FREQUENCIES

BPFI - Over rolling frequency on inner (60 rpm)	5.804 Hz
BSF - Over rolling frequency on rolling element (60 rpm)	5.49 Hz
BRF - Rotational frequency - rolling element (60 rpm)	2.745 Hz
FTF - Rotational frequency - cage (60 rpm)	0.42 Hz

ABUTMENT

da min - Min shoulder diameter IR	68 mm
Da max - Max shoulder diameter OR	102 mm
ra max - Max shaft & housing fillet radius	1,5 mm



NTN Europe

1 rue des Usines · BP 2017 · 74010 Annecy Cedex · France · Tel. +33 (0)4 50 65 30 00
S.A. au capital de 322 639 919 € · RCS ANNECY B 325 821 072 · Id. Fiscale : FR 48 325 821 072
SIRET 325 821 072 00015 · Code APE 2815 Z · Code NACE 28.15