

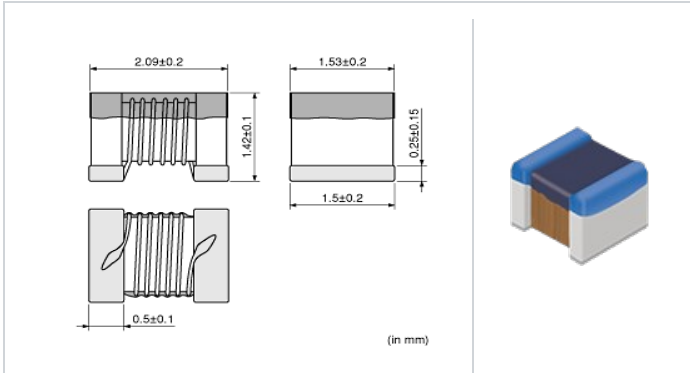
# LQW2BANR13J00#

"#" indicates a package specification code.



< List of part numbers with package codes >  
 LQW2BANR13J00L , LQW2BANR13J00K , LQW2BANR13J00B

## Shape



L size	2.09 ±0.2mm
W size	1.53 ±0.2mm
T size	1.42 ±0.1mm
Size code in inch (mm)	0805 (2015)

## Notes

In operating temperature exceeding +85°C, derating of current is necessary for LQW2BAN\_00 series. Please apply the derating curve shown in chart according to the operating temperature. When applied Rated current to the Products, self temperature rise shall be limited to 40°C max. Please confirm "Notice (Rating)".

## References

Packaging code	Specifications	Minimum quantity
L	φ 180mm Embossed taping	2000
K	φ 330mm Embossed taping	8000
B	Packing in bulk	500

Mass (Typ.)	
1 piece	0.014g

## Specifications

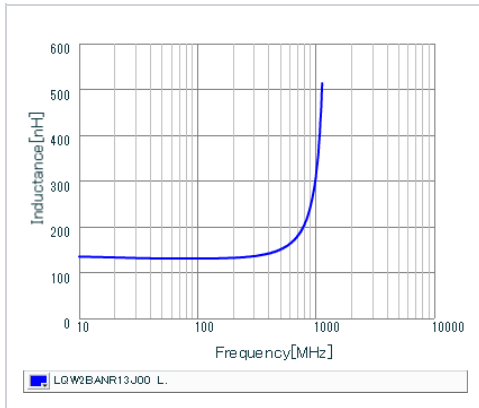
Inductance	130nH ±5%
Inductance test frequency	150MHz
Rated current (Itemp) (Based on Temperature rise)	950mA
Max. of DC resistance	0.42Ω
Q (min.)	56
Q test frequency	250MHz
Self resonance frequency (min.)	1000MHz
Operating temperature range (Self-temperature rise is included)	-55~125°C

### Attention

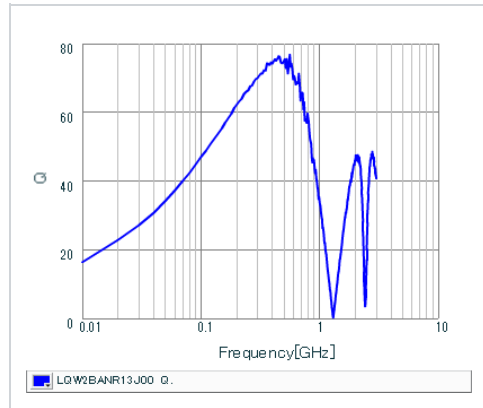
- 1.This datasheet is downloaded from the website of Murata Manufacturing Co., Ltd. Therefore, it's specifications are subject to change or our products in it may be discontinued without advance notice. Please check with our sales representatives or product engineers before ordering.
- 2.This datasheet has only typical specifications because there is no space for detailed specifications. Therefore, please review our product specifications or consult the approval sheet for product specifications before ordering.

**Chart of characteristic data (The charts below may show another part number which shares its characteristics.)**

▪ Inductance-Frequency characteristics (Typ.)



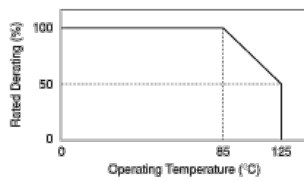
▪ Q-Frequency characteristics (Typ.)



▪ Notice (Rating)

In operating temperature exceeding +85°C, derating of current is necessary for LQW2BAN series. Please apply the derating curve shown in chart according to the operating temperature.

Derating of Rated Current



**⚠ Attention**

1. This datasheet is downloaded from the website of Murata Manufacturing Co., Ltd. Therefore, its specifications are subject to change or our products in it may be discontinued without advance notice. Please check with our sales representatives or product engineers before ordering.
2. This datasheet has only typical specifications because there is no space for detailed specifications. Therefore, please review our product specifications or consult the approval sheet for product specifications before ordering.