

Customer Information Sheet

IF IN DOUBT - ASK

©

NOT TO SCALE

THIRD ANGLE PROJECTION

ALL DIMENSIONS IN mm

SPECIFICATIONS:

MATERIAL:
 HOUSING = GLASS-FILLED PPS, UL94V-0, BLACK
 CONTACT = COPPER ALLOY
 JACKSCREW = STAINLESS STEEL
FINISH (ALL OVER NICKEL):
 05 = GOLD ALL OVER
 22 = GOLD ON CONTACT AREA, 90/10 TIN/LEAD ON TAILS
 42 = GOLD ON CONTACT AREA, 100% TIN ON TAILS
PACKING: TUBE
 FOR COMPLETE SPECIFICATION, SEE COMPONENT SPECIFICATION CO05XX (LATEST ISSUE)

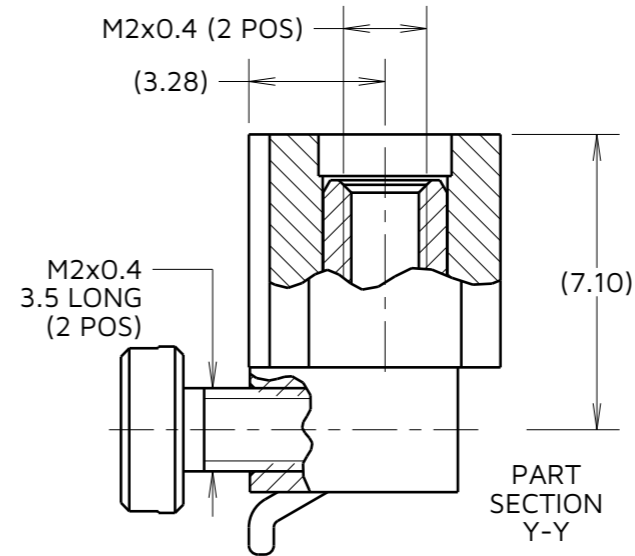
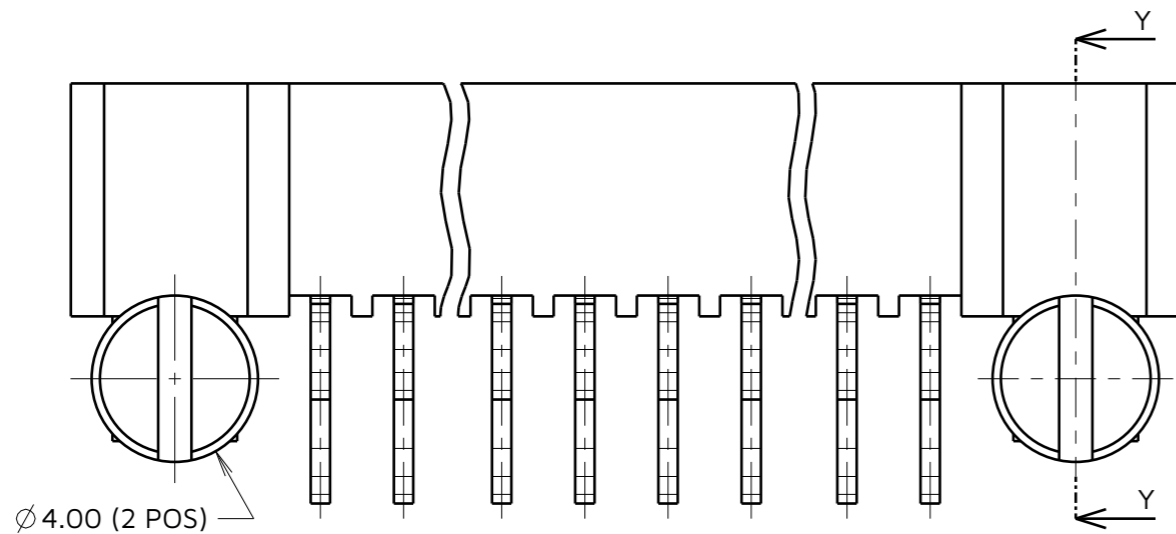
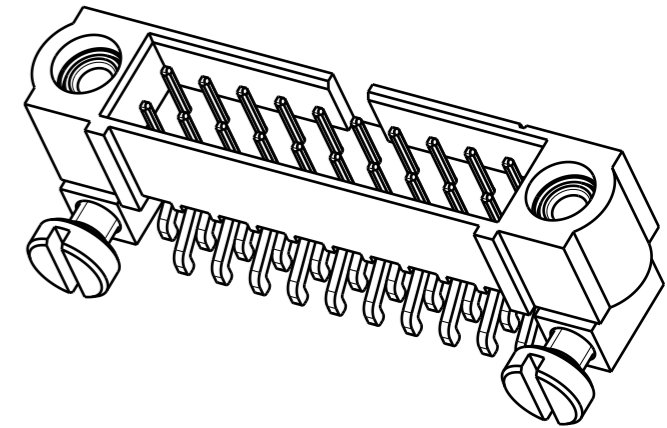
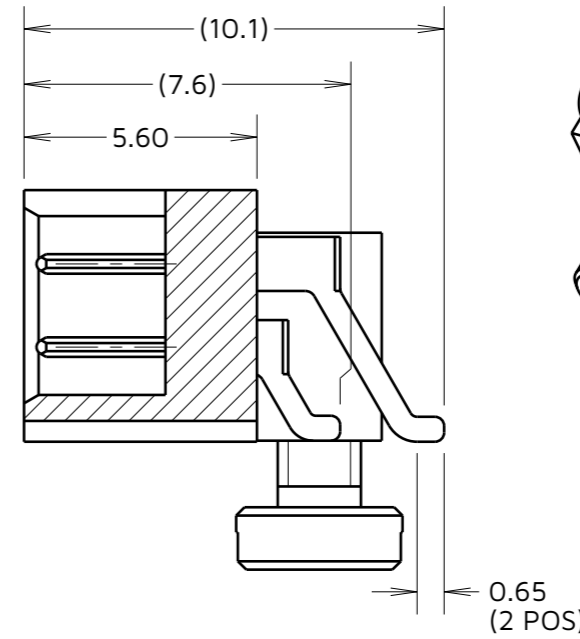
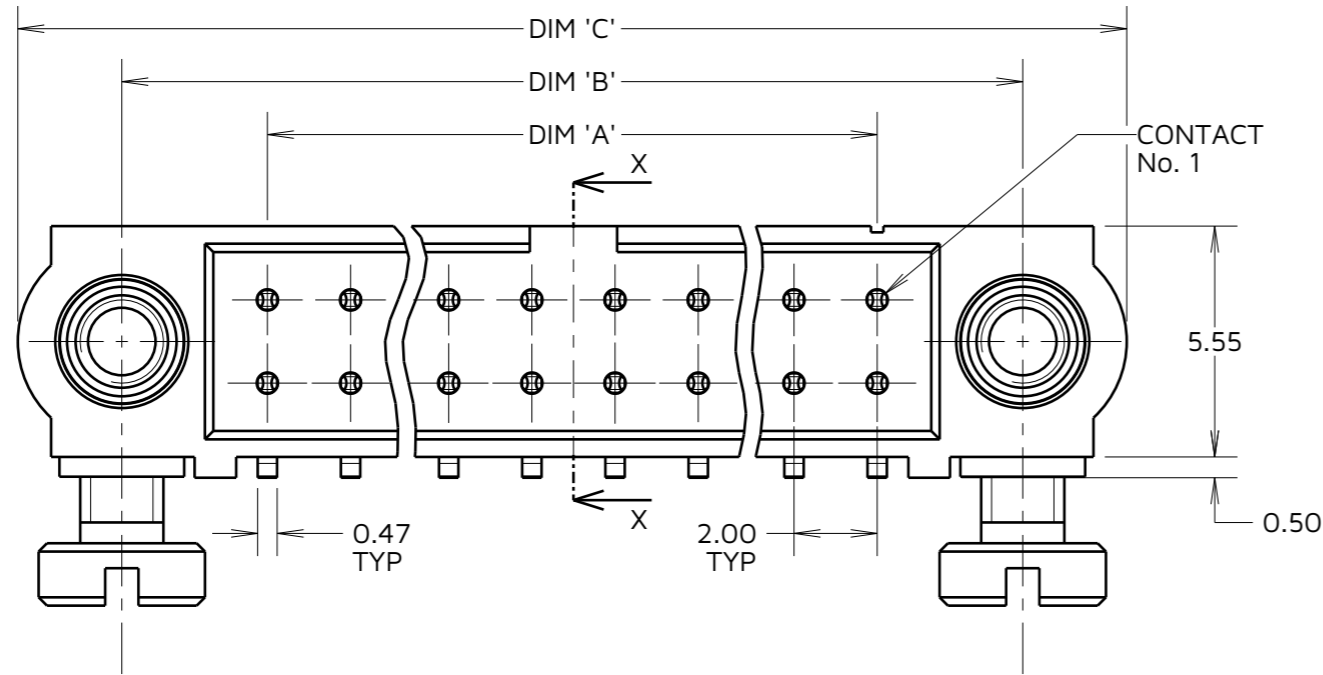
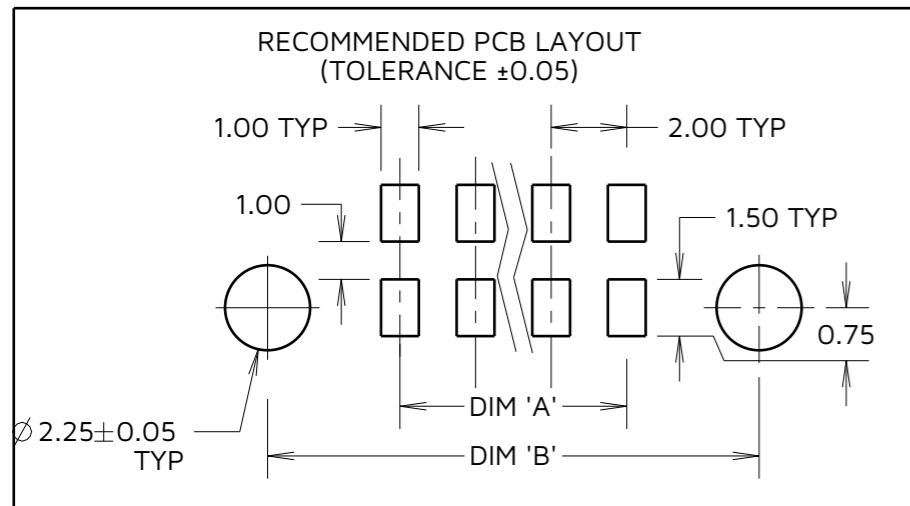


TABLE 1: DIMENSION VARIANTS

PART No.	DIM 'A'	DIM 'B'	DIM 'C'
M80-54204XX	2.00	9.00	14.00
M80-54206XX	4.00	11.00	16.00
M80-54208XX	6.00	13.00	18.00
M80-54210XX	8.00	15.00	20.00
M80-54212XX	10.00	17.00	22.00
M80-54214XX	12.00	19.00	24.00
M80-54216XX	14.00	21.00	26.00
M80-54218XX	16.00	23.00	28.00
M80-54220XX	18.00	25.00	30.00
M80-54222XX	20.00	27.00	32.00
M80-54224XX	22.00	29.00	34.00
M80-54226XX	24.00	31.00	36.00
M80-54228XX	26.00	33.00	38.00
M80-54230XX	28.00	35.00	40.00
M80-54232XX	30.00	37.00	42.00
M80-54234XX	32.00	39.00	44.00
M80-54236XX	34.00	41.00	46.00
M80-54238XX	36.00	43.00	48.00
M80-54240XX	38.00	45.00	50.00
M80-54242XX	40.00	47.00	52.00
M80-54244XX	42.00	49.00	54.00
M80-54246XX	44.00	51.00	56.00
M80-54248XX	46.00	53.00	58.00
M80-54250XX	48.00	55.00	60.00



ORDER CODE:
M80-542XXXX

TOTAL No. OF CONTACTS
 04 TO 50
 (EVEN NUMBERS ONLY)

FINISH
 05 - GOLD ALL OVER
 22 - GOLD, 90/10 TIN/LEAD
 42 - GOLD, 100% TIN

MJ	10	06.11.24	34803
NAME	ISS.	DATE	CN/CO
APPROVED:	M. JELLEY		
CHECKED:	A. YEOMANS		
DRAWN:	W. J. BOURNE		

NOTES:
 1. BOARD MOUNT SCREWS SUPPLIED LOOSE IN A BAG NOT AS SHOWN.



TOLERANCES
 X. = ±1mm
 X.X = ±0.50mm
 X.XX = ±0.20mm
 X.XXX = ±0.01mm
 ANGLES = ±5°
 UNLESS STATED

THIS DRAWING AND ANY INFORMATION OR DESCRIPTIVE MATTER SET OUT HEREON ARE CONFIDENTIAL AND COPYRIGHT PROPERTY OF THE HARWIN GROUP AND MUST NOT BE DISCLOSED, LOANED, COPIED OR USED FOR MANUFACTURING, TENDERING OR FOR ANY OTHER PURPOSE WITHOUT THEIR WRITTEN PERMISSION.

MATERIAL & FINISH:
 SEE ABOVE

TITLE: DATAMATE J-TEK DIL
 HORIZ SMT MALE ASSY
 WITH BOARD MOUNT

DRAWING NUMBER: M80-542XXXX

SHT 2 OF 2