

Superior Visibility!

Battery-operated Flashing Signal Light

Change the "Flash-pattern" and "Lighting" modes for indoor and outdoor, and for day and night applications.



IP55
Dustproof
Water resistant

The polycarbonate body has an excellent shock resistance.



Designed with a magnetic base and runs on batteries for easy and mobile installations.



Magnetic Attachment LED Flash 4 "AA" Batteries

As a caution light during equipment maintenance in a factory



Easily attachable magnetic base

For warning applications, such as a construction site



Secure an outdoor location with a protection rating of IP55

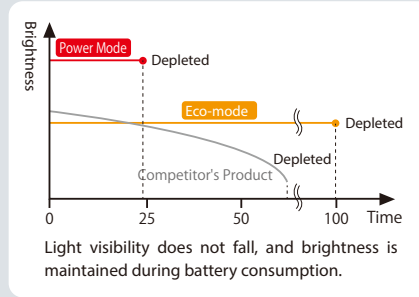
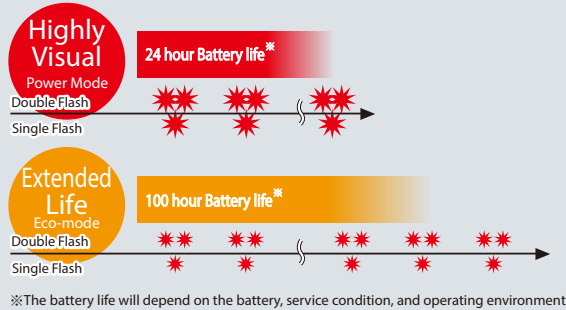
For safety during railroad track maintenance work



Authorized personnel's safety is ensured by a flashing beacon

Superb visibility is maintained to the end.

The preferred choice for various warning and safety applications.



Lighting Mode

Switch Direction	A. Flash Pattern	B. Lighting Mode
※	Double Flash	Power Mode
	Single Flash	Eco-mode

※ Factory Default Setting

Depending on the application, the power mode can emit a highly visible illumination for immediate caution, and the eco-mode can be used when prolonged operation is necessary.

※ Remove the globe to make various settings.

Battery-depletion Notification



The light will blink 6 times when the battery is exhausted, and will indicate the battery needs replacement as soon as the power is turned ON.
 ※ Use only AA alkaline dry cell batteries.

Battery Exchange



To replace the batteries, remove the base from the bottom. The bottom base has a place to grip, so it can be opened without a tool to easily change batteries, and it is even possible to change batteries with work gloves on.

Installation

The magnetic base makes temporary sideways mounting on metal surfaces possible. The battery-operated signal light is mobile, and can be carried and installed in a number of different work applications.

※ It is not recommended for applications requiring inverted attachments.

※ If used for sideways installations, attach it with the power switch in a downward direction.

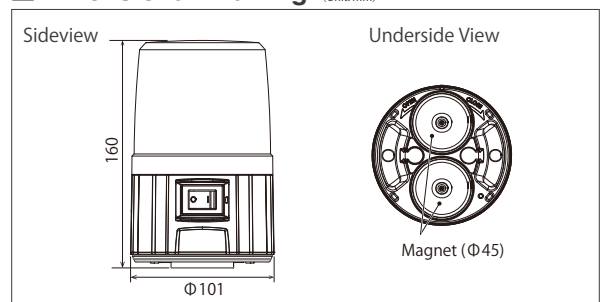


Specifications

Model	Red: PFH-BT-R Amber: PFH-BT-Y
Power	4 "AA" Alkaline dry cell batteries
Battery Lifespan	Power Mode: 24hrs. Eco-mode: 100hrs. ※
Operating Temperature/Humidity	-10°C ~ 50°C 90% RH or less No condensation (Batteries removed)
Installation Location/Direction	Indoor/Outdoor Upright/Sideways
Protection Rating	IP55 (Upright Position)
Peak Luminous Intensity (Typ.)	Red: 40cd or less Yellow: 140cd or less
Mass	510g (Batteries removed)
Compliance Standards	RoHS Compliant (EN 50581), EMC Compliant (EN61000-6-4, EN61000-6-2)

※ Battery lifespan changes drastically, based on the operating and environmental conditions.

Dimensional Drawing (Unit: mm)



PATLITE Corporation

4-4-25, Hommachi, Chuo-ku, Osaka-shi, 541-0053 Japan
 International Sales Division
 TEL: +81-6-7711-8953 FAX: +81-6-7711-8961 E-mail: overseas@patlite.co.jp

PATLITE (U.S.A.) Corporation

20130 S. Western Ave. Torrance, CA 90501, U.S.A.
 TEL: +1-310-328-3222 FAX: +1-310-328-2676 E-mail: sales@patlite.com

PATLITE (SINGAPORE) PTE LTD

No.2 Leng Kee Road, #05-01 Thye Hong Centre, Singapore 159086
 TEL: +65-6226-1111 FAX: +65-6324-1411 E-mail: sales@patlite.com.sg

PATLITE (CHINA) Corporation

Room 1102-1103, No.55, Lane 777, Guangzhong Road (West), Zhabei District, Shanghai, China 200072
 TEL: +86-21-6630-8969 FAX: +86-21-6630-8938 E-mail: sales@patlite.cn

PATLITE (THAILAND) CO., LTD.

Olympia Thai Tower, 15th Floor 444 Ratchadapisek Road Samsennok, Huay Kwang Bangkok 10310, Thailand
 E-mail: sales@patlite.co.th

PATLITE Europe GmbH

Am Soeldnermoos 8, D-85399 Hallbergmoos, Germany
 TEL: +49-811-9981-9770-0 FAX: +49-811-9981-9770-9 E-mail: info@patlite.eu

PATLITE KOREA CO., LTD.

A-2603, Daesung D-POLIS, 606, Seobusaet-gil, Geumcheon-gu, Seoul, 08504, Korea
 TEL: +82-2-523-6636 FAX: +82-2-861-9919 E-mail: sales@patlite.co.kr

PATLITE TAIWAN CO., LTD.

7F. No. 91, Huayin St, Datong District Taipei, Taiwan R.O.C
 TEL: +886-(0)2-2555-1611 FAX: +886-(0)2-2555-1621 E-mail: info@patlite.tw

CAUTION

To ensure correct use of these products, read the "Instruction Manual" prior to use. Failure to follow all safeguards can result in fire, electric shock, or other accidents. Specifications are subject to change without notice.



PATLITE ECO PROJECT

For the benefit of mankind and the earth, Patlite is committed to developing environmentally friendly products.

O-AF01A EN 1606 A

<http://www.patlite.com>

● PATLITE, the PATLITE logo are either registered trademarks or trademarks of PATLITE Corporation in JAPAN and/or other countries.