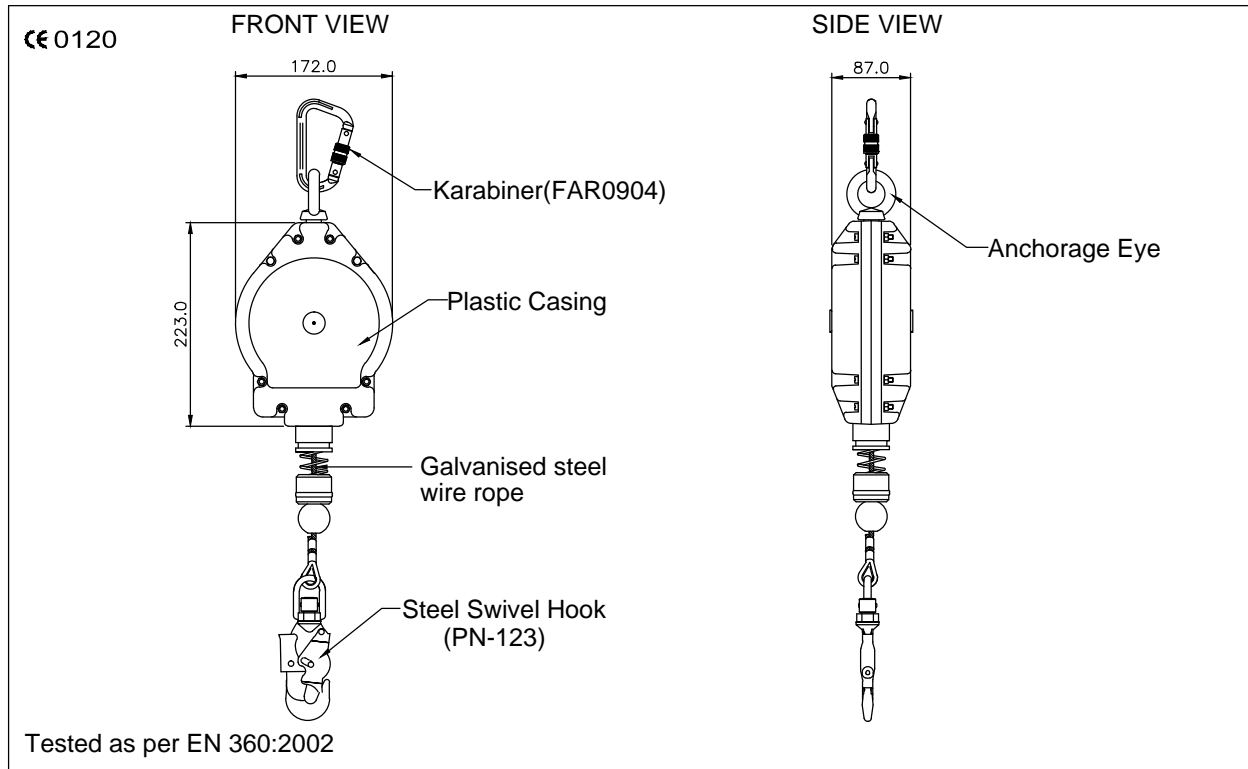


DOC NO	ISSUE	REVISION	PRODUCT REF.	DATE	QUALITY PLAN
QF/RD/05	01	00	FAR0705	18.09.14	
TECHNICAL SPECIFICATIONS				SIGNATURE	
				PRESIDENT (TECHNICAL)	

RETRACTABLE FALL ARRESTOR (FAR0705)



PHYSICAL PARAMETERS

- Robust & durable plastic casing.
- Has swivel anchorage eye at anchorage end.
- Steel swivel hook with Load Indicator our Ref. PN-123 at attachment end. and Screw locking aluminium karabiner (FAR0904) at anchorage end.
- Galvanised steel wire rope (option of having S.S. wire rope available)

LENGTH

- Reference no. Length of cable
FAR0705 5 Meters

(Special lengths also available on request subject to a minimum of 4 meters & maximum of 10 meters.)

CABLE

- Material : Galvanised steel wire rope Ø4.5 (Min.)
- Breaking strength : 15 kN or 1,530 kgf (Min.)

VITAL TEST COMPLIANCE

- Static Strength : 13 kN or 1,325 kgf for 3 Minutes.
- Dynamic performance : 100 kg mass free fall of 600 mm with the breaking force of less than 6 kN & arrest distance less than 2 mts.

NORM

- Meets EN-360:2002

WEIGHT

- FAR0705 : 3.9746 kg

