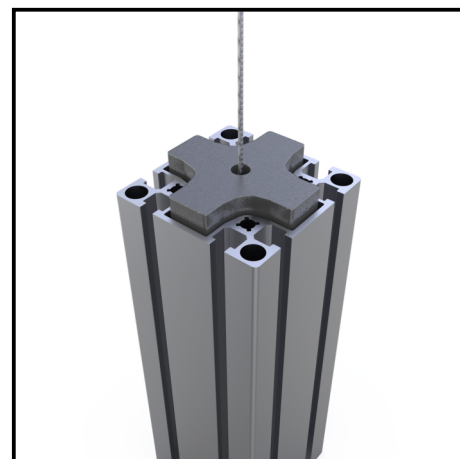
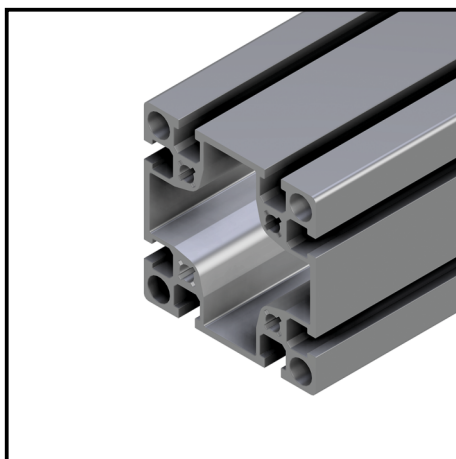
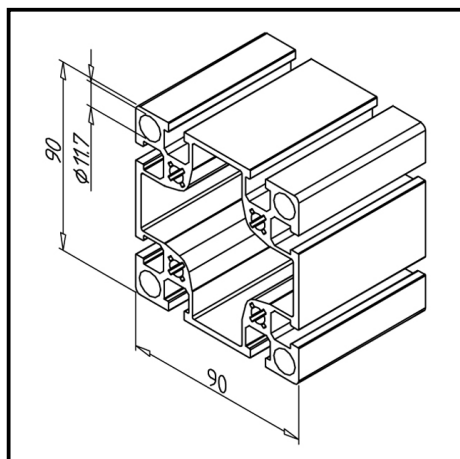


PROFILE 90 X 90 L

Article Nr. 20.1010/0

[See the product on the website](#) →

[Download CAD Files](#) →



TECHN. DATA / ITEMS SUPPLIED

- Aluminium, extruded, anodized E6/EV1
- $I_x = 186.26 \text{ cm}^4$
- $I_y = 186.26 \text{ cm}^4$
- $w_x = 41.391 \text{ cm}^3$
- $w_y = 41.391 \text{ cm}^3$
- $IT = 378.232 \text{ cm}^4$
- Weight = 5.222 kg/m
- Packing unit = 12 m

APPLICATIONS

- All types of heavy constructions, designed as 4-fold compressed air line and compressed air reservoir
- Guide in the central hollow chamber for internal balancing weight for lifting doors

ASSEMBLY

- MiniTec power-lock fastener
- Mounting bracket 45 or 90
- Screw connection
- Bolt connector