



Price* : 155.00 GBP



Main

Range of product	Modicon X80
Product or component type	Discrete I/O module
Discrete input number	8
Input type	Current sink (logic positive)
Discrete input voltage	24 V DC positive
Discrete input current	3.5 mA
Input compatibility	With 2-wire/3-wire proximity sensors conforming to IEC 60947-5-2
Discrete output number	8
Discrete output type	Solid state
Discrete output voltage	24 V 19...30 V DC
Discrete output current	0.5 A

Complementary

Sensor power supply	19...30 V
Voltage state 1 guaranteed	≥ 11 V
Current state 1 guaranteed	≥ 3 mA
Voltage state 0 guaranteed	≤ 5 V
Current state 0 guaranteed	≤ 1.5 mA
Current per channel	0.625 A
Current per module	≤ 5 A
Leakage current	≤ 0.5 mA at state 0
[Ures] residual voltage	1.2 V at state 1
Input impedance	6800 Ohm
Insulation resistance	> 10 MOhm 500 V DC
Power dissipation in W	≤ 3.7 W
DC typical filtering time	4 ms

Disclaimer: This documentation is not intended as a substitute for and is not to be used for determining suitability or reliability of these products for specific user applications.

DC maximum filtering time	7 ms
Response time on output	1.2 ms
Paralleling of outputs	Yes : 2 maximum
Typical current consumption	100 mA at 3.3 V DC 30 mA at 24 V DC
Current consumption	<= 111 mA at 3.3 V DC <= 67 mA at 24 V DC
MTBF reliability	447581 H
Protection type	Overvoltage protection on output Reverse polarity protection on input Reverse polarity protection on output 1 external fuse per group of input channel 0.5 A fast blow
Output overload protection	With electronic circuit breaker $1.5 I_n < I_d < 2 I_n$ With current limiter
Output overvoltage protection	With transil diode
Output short-circuit protection	With 2 A external fuse
Reverse polarity protection	Reverse mounted diode
Voltage detection threshold	< 14 V DC preactuator fault < 14 V DC sensor fault > 18 V DC preactuator OK > 18 V DC sensor OK
Tungsten load	<= 6 W
Switching frequency	$0.5/LI^2$ Hz
Overload time	<= 15 ms
Load impedance ohmic	<= 48 Ohm
Status LED	1 LED green for module operating (RUN) 1 LED per channel green for channel diagnostic 1 LED red for module I/O 1 LED red for module error (ERR)
Product weight	0.115 kg



Environment

IP degree of protection	IP20
Product certifications	CE CSA UL RCM Merchant Navy EAC
Standards	EN/IEC 61131-2 EN/IEC 61010-2-201 UL 61010-2-201 CSA C22.2 No 61010-2-201
Dielectric strength	1500 V AC at 50/60 Hz 1 minute, output/ground 1500 V AC at 50/60 Hz 1 minute, output/internal logic 1500 V AC at 50/60 Hz 1 minute, primary/secondary 500 V DC 1 minute, between group of inputs and outputs
Vibration resistance	3 gn
Shock resistance	30 gn
Ambient air temperature for storage	-40...85 °C
Ambient air temperature for operation	0...60 °C
Relative humidity	5...95 % without condensation 55 °C
Protective treatment	TC
Operating altitude	0...2000 m 2000...5000 m (with derating factor)

Offer Sustainability

Sustainable offer status	Green Premium product
RoHS (date code: YYWW)	Compliant - since 0722 - Schneider Electric declaration of conformity

 [Schneider Electric declaration of conformity](#)

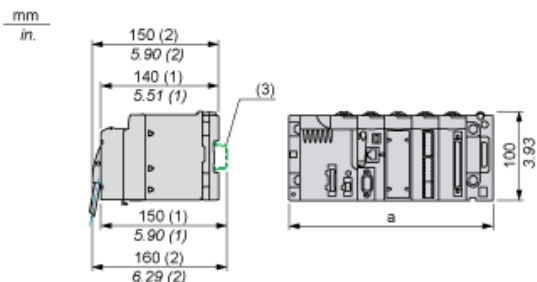
REACH	Reference not containing SVHC above the threshold Reference not containing SVHC above the threshold
Product environmental profile	Available  Product environmental
Product end of life instructions	Available  End of life manual

Contractual warranty

Warranty period	18 months
-----------------	-----------

Modules Mounted on Racks

Dimensions

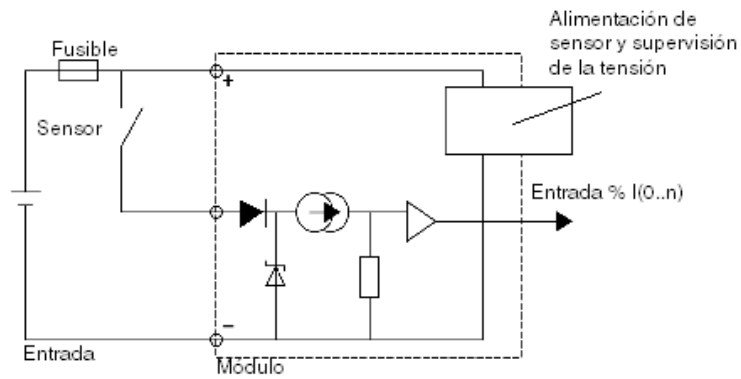


- (1) With removable terminal block (cage, screw or spring).
- (2) With FCN connector.
- (3) On AM1 ED rail: 35 mm wide, 15 mm deep. Only possible with BMXXBP0400/0400H/0600/0600H/0800/0800H rack.

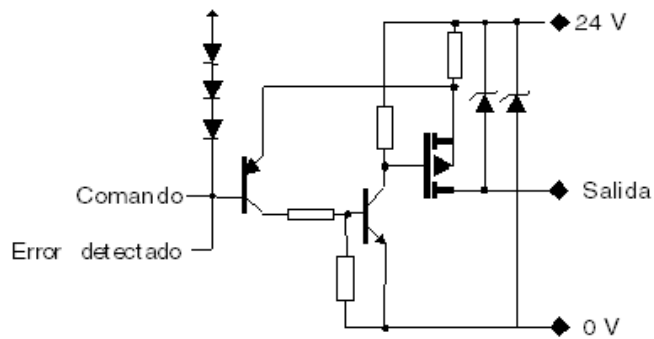
Rack references	a in mm	a in in.
BMXXBP0400 and BMXXBP0400H	242.4	09.54
BMXXBP0600 and BMXXBP0600H	307.6	12.11
BMXXBP0800 and BMXXBP0800H	372.8	14.68
BMXXBP1200 and BMXXBP1200H	503.2	19.81

Connecting the Module

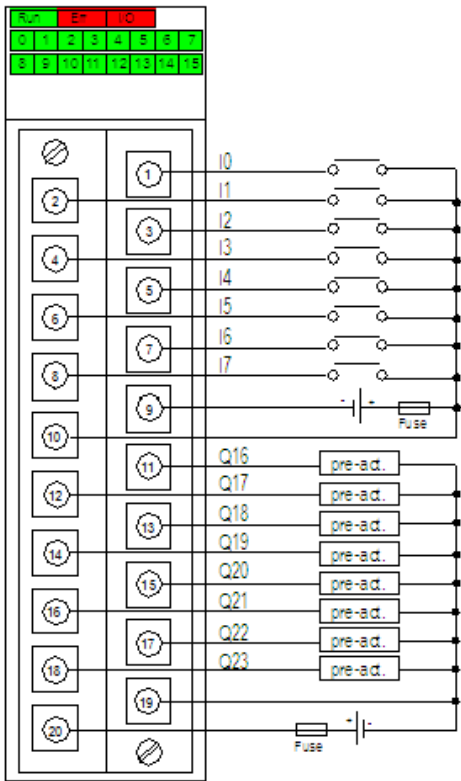
Input Circuit Diagram



Output Circuit Diagram



Module Connection



power supply 24VDC
input fuse fast blow fuse of 0.5 A
output fuse fast blow fuse of 6.3 A
pre-act pre-actuator