



# Plug 'n' Play compact axial fans

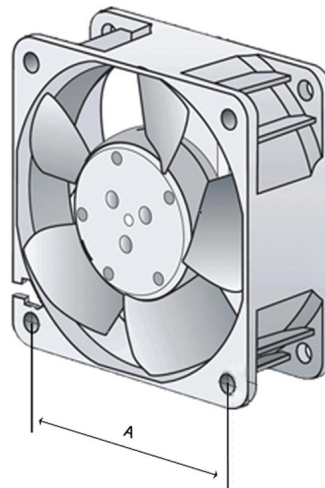
Complete with mountings and connector

- DC fans
- Plastic housing
- Ideal for PC cooling
- Molex connector fitted
- Connection via 2 x leads 313mm (+/- 10mm)
- Threaded brass inserts fitted on both sides
- Blowing over struts
- Protection IP20

Part Number	Airflow	Airflow	Voltage	Voltage Range	Noise	Sound Power	Bearings	Power	Speed	Temp range	Length	Width	Depth	Insert thread size	Connector
	m <sup>3</sup> /h	CFM	VDC	VDC	dB(A)	Bel		W	RPM	°C	mm	mm	mm		
605F-RS0	29	17.1	5	4.5...5.2	27	4.4	Sleeve	1.1	4000	-20...+50	60	60	15	M3	Molex 22-01-2025
612FL-RS0	19	11.2	12	11.5...13.2	16	3.6	Sleeve	0.4	2650	-20...+70	60	60	15	M3	Molex 22-01-2025
612NGLE-RS0	21	12.4	12	8...15	16	3.6	Sleeve	0.6	2500	-20...+85	60	60	25	M3	Molex 22-01-2025
612NGH-RS0	46	27.1	12	8...15	38	5.5	Sleeve	2.6	5600	-20...+70	60	60	25	M3	Molex 22-01-2025
614NGL-RS0	21	12.4	24	18...28	16	3.6	Sleeve	1.0	2500	-20...+70	60	60	25	M3	Molex 22-01-2025
614NHH-RS0	56	33	24	18...26	41	5.7	Ball	2.9	6850	-20...+70	60	60	25	M3	Molex 22-01-2025
614JH-RS0	70	41.1	24	14...26.4	53	6.4	Ball	7.7	11700	-20...+70	60	60	32	M3	Molex 22-01-2025
3412NGLE-RS0	61	35.9	12	8...15	23	4.0	Sleeve	1.1	1950	-20...+80	92	92	25	M3	Molex 22-01-2025
3412NHH-RS0	102	60	12	8...13.2	39	5.1	Ball	2.9	3250	-20...+60	92	92	25	M3	Molex 22-01-2025
3414NGL-RS0	61	35.9	24	18...28	23	4.0	Sleeve	1.4	1950	-20...+70	92	92	25	M3	Molex 22-01-2025
3414NG-RS0	84	49.4	24	18...28	32	4.7	Sleeve	2.5	2700	-20...+70	92	92	25	M3	Molex 22-01-2025
4314L-RS0	95	56	24	12...28	30	4.3	Ball	1.2	1550	-20...+75	119	119	32	M3	Molex 22-01-2025
4314G-RS0	170	100	24	12...28	45	5.8	Sleeve	4.7	2800	-20...+75	119	119	32	M3	Molex 22-01-2025
4318-RS0	170	100	48	36...53	45	5.8	Ball	5.1	2800	-20...+75	119	119	32	M3	Molex 22-01-2025
4412M-RS0	184	108	12	7...14	42	5.3	Ball	3.8	3300	-20...+75	119	119	38	M3	Molex 22-01-2025
4414L3-RS0	100	59	24	12...28	26	4.0	Ball	1.0	1800	-20...+80	119	119	38	M3	Molex 22-01-2025
4414L-RS0	150	88	24	18...28	37	5.0	Ball	2.4	2700	-20...+80	119	119	38	M3	Molex 22-01-2025
4414ML-RS0	168	99	24	12...28	40	5.1	Ball	3.2	3000	-20...+80	119	119	38	M3	Molex 22-01-2025
4414M-RS0	184	108	24	18...28	42	5.3	Ball	4.1	3300	-20...+75	119	119	38	M3	Molex 22-01-2025
4418ML-RS0	168	99	48	36...60	40	5.1	Ball	3.2	3000	-20...+75	119	119	38	M3	Molex 22-01-2025

### Fixing Centres

Frame Size	Dimension A (mm)
60	50
92	82.5
119	104.8



### Terminal Assignment

1 = Red (+)

2 = Blue (-)

