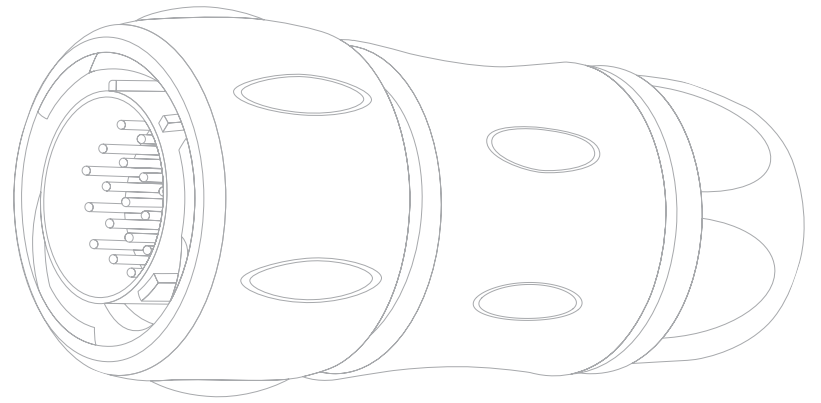


Plastic circular connectors
Souriau TRIM TRIO® UTSX series





UTSX series

plastic circular connectors

Typical applications



Upgraded for higher performance

The Souriau UTSX series is a full-plastic, waterproof circular connector designed for harsh environments. The UTSX series features reinforced bayonet pins and a broader range of layouts, sizes and mechanical keyings when compared to its predecessor, the UTS series.

Interchangeable with other Souriau TRIM TRIO® connectors

Part of the Souriau TRIM TRIO® connector line, the UTSX series shares a unique design of contacts that are interchangeable across several of our connector series, allowing you to simplify your supply chain and maintain the same cabling process across all ranges. The trio of contacts; machined, stamped and formed, and coaxial is used in different connector shapes with plastic or metal shells, bayonet or push-pull coupling mechanisms. For series that are intermateable, such as the UTS, UTGX and UTO series, you can easily switch from one series to the other across the applications in your operation.

Reliable connections in harsh environments

UTSX series connectors are waterproof, lightweight, withstand 250 mating cycles and are manufactured from materials that have UV and corrosion resistant properties. They are IP68/69K rated even in dynamic conditions and available with multiple contact layouts for design flexibility, including hybrid power/signal and hybrid copper/fiber.

Easy, quick and safe to use in a wide range of applications

The easy to grip connectors have a one-third bayonet coupling to confirm the connection with an audible and tactile click. The UTSX series is compliant with IEC and UL standards and resistant to shock, ensuring safe connections for installers and operators. The UTSX series is perfect for outdoor solar and wind management applications, as well as conditions where humidity or corrosive agents would compromise metal components – applications that range from off-road machinery to instrumentation and water management.



Table of contents

Overview	6
Range overview	6
Technical specifications	8
Layouts size 10	9
Layouts size 12	10
Layouts size 14	11
Layouts size 16	12
Layouts size 18	14
Connectors	16
Overmolded cable assembly	16
UTSX12E2 / UTSX12D2	18
UTSX103	22
UTSX142G1	27
UTSX12E3 / UTSX12D3	31
UTSX124 / UTSX12E4 / UTSX12D4	35
UTSX163G1	40
UTSX102W2	44
UTSX104	49
UTSX14E5 / 14D5	54
UTSX165	58
UTSX103W3	63
UTSX106 / UTSX10E6 / UTSX10D6	69
UTSX10E98 / UTSX10D98	74
UTSX186	78
UTSX147 / UTSX14E7 / UTSX14D7	83
UTSX10E7 / UTSX10D7	88
UTSX187G1	92
UTSX128	96
UTSX12E8 / UTSX12D8	101
UTSX148	105
UTSX16E8 / 16D8	111
UTSX169	115
UTSX1210 / UTSX12E10 / UTSX12D10	119
UTSX18E11 / 18D11	124
UTSX1412	128
UTSX14E12 / UTSX14D12	133
UTSX1492	137
UTSX1613	142
UTSX1813	147
UTSX12E14 / UTSX12D14	152
UTSX14E15 / UTSX14D15	156

- UTSX14E18 / UTSX14D18 160
- UTSX1419 / UTSX14E19 / UTSX14D19 164
- UTSX1619 169
- UTSX16E23 / 16D23 174
- UTSX1823 178
- UTSX1626 - 16E26 / 16D26 183
- UTSX18E30 / 18D30 188
- UTSX1832 - 18E32 / 18D32 192
- Contacts 197**
 - Description 197
 - Contact plating selector guide 197
 - Contact selector guide 198
 - Packaging 199
 - Crimp contacts 200
 - Coaxial contacts 202
 - PCB contacts 205
 - Fiber optic contacts 207
- Technical information 209**
 - Crimping tools for standard contacts 209
 - Crimping tools for specific contacts 209
 - M20S-1J crimp tool 210
 - Automatic crimping tools 211
 - Extraction tool for crimp contacts 211
 - Crimping instructions 212
 - Crimping control 213
 - Handle and interchangeable heads for crimp contacts 214
 - Mated connector length 215
 - Assembly instructions 216
 - Mating procedure 219
 - Rated current and working voltage 220
 - UV resistance 221
 - Ethernet basics 222
- Appendix 224**
 - Appendix A: Discrimination/Keying methods 224
 - Appendix B: Part number index 225



Souriau UTSX series

Range overview

UTSX series



Cable sealed



Plug without backshell



Plug with backshell

UTSX backshells

Cable sealing



Double sealing (wires + cable)



Grommet

Contacts supplied separately



Choice of crimp contacts
Machined / Stamped and formed / Coaxial

PCB
Fiber optic

Contacts loaded
Handsolder Screw

Plug



UTSX Hi-seal



Plug without backshell



Plug with backshell

Overmolded cable assembly



For more information on our overmolding solutions, please contact us.

UTSX standard receptacle

Square flange



Jam nut



Free hanging



Jam nut



Contacts supplied separately



Choice of crimp contacts

Machined / Stamped and formed / Coaxial

**PCB
Fiber optic**

Contacts supplied separately



Choice of crimp contacts

Machined / Stamped and formed / Coaxial

**PCB
Fiber optic**

Contacts loaded

Handsolder Screw

UTSX backshells

Cable sealing only for square flange



UTSX backshells

Cable sealing



**Double sealing
(wires + cable)**



Grommet

UTSX Hi-seal receptacle

Jam nut



Square flange



Contacts loaded

**PCB
Handsolder**

UTSX PCB contacts

Stand-offs to allow cleaning after soldering



Metal hold down clips lock the connector easily on the PCB and release stress on solder joints. They are also suitable for soldering the connector to the PCB through metal holes.

Pre-assembled PCB contacts

- machined or stamped versions available
- different solder tail lengths possible
- different plating options

Low profile housing to limit space between panel and PCB

Souriau UTSX series

Technical specifications



Technical features

Environmental

- Temperature class: 40/100/21 per NFF 61-030 from -40°C to +105°C
- Flammability rating:
 - UL94 V-0 (all UTSX except the sealed unmated version)
 - UL94 HB (UTSX sealed unmated version only)
 - R22 HL2 / R23 HL2 according to EN45545-2 (not applicable for hi-seal versions)
 - GWFI: 960°C
 - GWIT: 800°C
- Salt spray: per EIA-364-26: 500 hours
- UV resistant connector made with (f1) material according to UL746C
- Outdoor used following level 6/6P according to UL50/UL50E
- Aging validation: ISO 21207 Method B, 5 cycles. Corresponding to 27 years in an industrial environment
- Sealing:
 - UTSX standard: IP68/IP69K dynamic (mated)
 - UTSX sealed unmated version: IP68/IP69K dynamic (unmated)
 - UTSX single wire sealed: IP67/69K (up to IP68 with double sealing backshell)
 - UTSX screw termination contacts: IP68/IP69K dynamic (mated)

Note: IP68=10 m. underwater during 1 week

- Fluid resistance:
 - Gas and oil
 - Mineral oil
 - Acid bath
 - Basic bath

Materials

- Connector body and backshell: thermoplastic
- Insert:
 - UTSX standard, UTSX single wire sealed UTSX screw termination contacts: thermoplastic
 - UTSX Hi-seal: elastomer
- Nut: metal
- Locking ring: brass and stainless steel
- Contacts: see **Page 197**
- Halogen free
- RoHS compliant and conforms to the Chinese standard SJ/T1166-2006 (Chinese RoHS equivalent)

Electrical

- In accordance with:
 - UL 1977: category ECBT2 file number: E169916
 - C22.2 n°182.3: category ECBT8 file number: E169916
- Voltage and current information available on **Page 9**

Mechanical

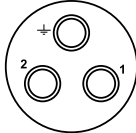
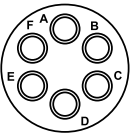
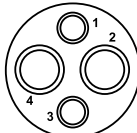
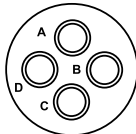
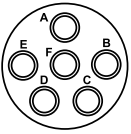
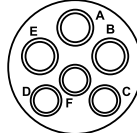
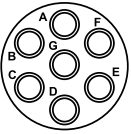
- Durability: 250 matings and unmatings according to MIL -C-26482
- Vibration resistance (all UTSX versions except UTSX screw termination contacts):
 - Sinusoidal vibrations per EN 60512-4 - from 10 to 2000 Hz
 - Sinusoidal vibrations according to CEI 60512-6-4
- Thermal shock: 5 cycles 30 min. from -40°C to 105°C per MIL -STD-1344 method 1003
- IK resistors: see table below for shock resistance

Connector type	Size 10	Size 12	Size 14	Size 16	Size 18
UTSX0 / UTSX6JC	IK03	IK05	IK05	IK04	IK06
UTSX7 / UTSX6JC	-	IK05	IK05	IK05	IK06

Layouts face male contact

Electrical parameter according to IEC61984 for a pollution degree IV and overvoltage category III.

A higher voltage can be applied by selecting the appropriate connectors and contacts. Please consult us for more information.

Contacts	Contact #16 (Ø 0.062"/1.6 mm)	Contacts	Contact #20 (Ø 0.039"/1.0 mm)	Contacts	Hybrid and others
Description (mating face view male connectors)		Description (mating face view male connectors)		Description (mating face view male connectors)	
	103 16A/300V 2 + ground Page 22		106 – 10E6/10D6 7A/32V 6 contacts Page 69		102W2 25A/150V 4 contact 2 x Ø 2.4 (#12) + 2 x Ø 1.0 (#20) Page 44
					
	104 13A/150V 4 contacts Page 49		10E98/10D98 7A/50V 6 contacts Page 74		103W3 5A/32V 6 contacts 3 x Ø 1.6 (#16) + 3 x Ø 1.0 (#20) Page 63
					
			10E7/10D7 7A/50V 7 contacts Page 88		

Note: Layouts in blue text are UTSX sealed unmated (Hi-seal) condition

Contacts #20:
from AWG 26 to 18
0.005" to 0.031"²
0.13 to 0.80 mm²

Contacts #16:
from AWG 30 to 14
0.002" to 0.098"²
0.05 to 2.5 mm²

Contacts #12:
from AWG 20 to 12
0.005" to 0.157"²
0.52 to 4 mm²

Contacts #8:
from AWG 16 to 8
0.059" to 0.393"²
1.5 to 10 mm²

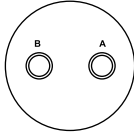
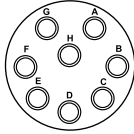
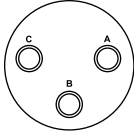
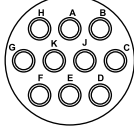
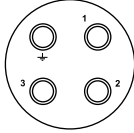
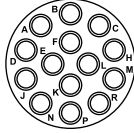
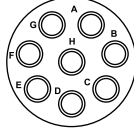
Souriau UTSX series

Layouts size 12

Layouts face male contact

Electrical parameter according to IEC61984 for a pollution degree IV and overvoltage category III.

A higher voltage can be applied by selecting the appropriate connectors and contacts. Please consult us for more information.

Contacts	Contact #16 (Ø 0.062"/1.6 mm)	Contacts	Contact #20 (Ø 0.039"/1.0 mm)
Description (mating face view male connectors)		Description (mating face view male connectors)	
	12E2/12D2 16A/150V 2 contacts		12E8/12D8 6A/32V 8 contacts
	Page 22		Page 101
			
	12E3/12D3 16A/150V 3 contacts		12I0 – 12E10/12D10 6A/50V 10 contacts
	Page 31		Page 119
			
	124 – 12E4/12D4 16A/150V 3 + ground		12E14/12D14 5A/32V 14 contacts
	Page 35		Page 152
			
	128 10A/80V 8 contacts		
	Page 96		

Note: Layouts in blue text are UTSX sealed unmated (Hi-seal) condition

Contacts #20:
from AWG 26 to 18
0.005" to 0.031"²
0.13 to 0.80 mm²

Contacts #16:
from AWG 30 to 14
0.002" to 0.098"²
0.05 to 2.5 mm²

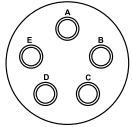
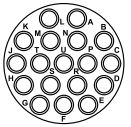
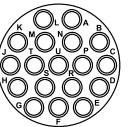
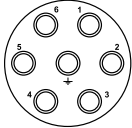
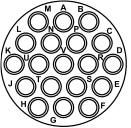
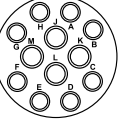
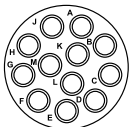
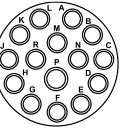
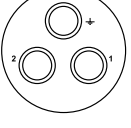
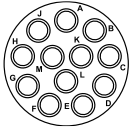
Contacts #12:
from AWG 20 to 12
0.020" to 0.157"²
0.52 to 4 mm²

Contacts #8:
from AWG 16 to 8
0.059" to 0.393"²
1.5 to 10 mm²

Layouts face male contact

Electrical parameter according to IEC61984 for a pollution degree IV and overvoltage category III.

A higher voltage can be applied by selecting the appropriate connectors and contacts. Please consult us for more information.

Contacts	Contact #16 (Ø 0.062"/1.6 mm)	Contacts	Contact #20 (Ø 0.039"/1.0 mm)	Contacts	Mixed power
Description (mating face view male connectors)		Description (mating face view male connectors)		Description (mating face view male connectors)	
	14E5/14D5 16A/150V 5 contacts Page 54		14E18/14D18 5A/50V 18 contacts Page 160		148 17A/230V 8 contacts 4 x Ø 1.6 (#16) + 3 x Ø 2.4 (#12) + ground Page 105
					
	147 – 14E7/14D7 7A/150V 6 + ground Page 83		1419 – 14E19/14D19 5A/32V 19 contacts Page 164		14E12/14D12 4A/50V 12 contacts 4 x Ø 1.6 (#16) + 8 x Ø 1.0 (#20) Page 133
		Contacts	Contact #8 (Ø 0.141"/3.6 mm)	Description (mating face view male connectors)	
	1412 10A/63V 12 contacts Page 128				14E15/14D15 4A/50V 15 contacts 1 x Ø 1.6 (#16) + 14 x Ø 1.0 (#20) Page 156
			142G1 40A/300V 2 + ground Page 27		
	1492 10A/63V 12 contacts Page 137				

Note: Layouts in blue text are UTSX sealed unmated (Hi-seal) condition

Contacts #20:
from AWG 26 to 18
0.005" to 0.031"²
0.13 to 0.80 mm²

Contacts #16:
from AWG 30 to 14
0.002" to 0.098"²
0.05 to 2.5 mm²

Contacts #12:
from AWG 20 to 12
0.020" to 0.157"²
0.52 to 4 mm²

Contacts #8:
from AWG 16 to 8
0.059" to 0.393"²
1.5 to 10 mm²

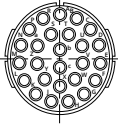

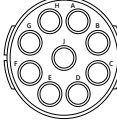

Souriau UTSX series

Layouts size 16

Layouts face male contact

Electrical parameter according to IEC61984 for a pollution degree IV and overvoltage category III.

A higher voltage can be applied by selecting the appropriate connectors and contacts. Please consult us for more information.

Contacts	Contact #20 (Ø 0.039"/1.0 mm)	Contacts	Contact #16 (Ø 0.062"/1.6 mm)	Contacts	Contact #12 (Ø 0.094"/2.4 mm)
Description (mating face view male connectors)		Description (mating face view male connectors)		Description (mating face view male connectors)	
	1626 - 16E26/16D26 4.5A/32V 26 contacts		1619 8A 32V 19 contacts		169 22A/160V 9 contacts
	Page 183		Page 169		Page 115
					
			16E8/16D8 13A/80V 8 contacts		
			Page 111		

Note: Layouts in [blue text](#) are UTSX sealed unmated (Hi-seal) condition

Contacts #20:
from AWG 26 to 18
0.005" to 0.031"²
0.13 to 0.80 mm²

Contacts #16:
from AWG 30 to 14
0.002" to 0.098"²
0.05 to 2.5 mm²

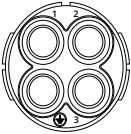
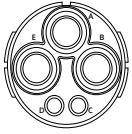
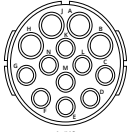
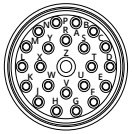
Contacts #12:
from AWG 20 to 12
0.020" to 0.157"²
0.52 to 4 mm²

Contacts #8:
from AWG 16 to 8
0.059" to 0.393"²
1.5 to 10 mm²

Layouts face male contact

Electrical parameter according to IEC61984 for a pollution degree IV and overvoltage category III.

A higher voltage can be applied by selecting the appropriate connectors and contacts. Please consult us for more information.

Contacts	Contact #8 (Ø 0.141"/3.6 mm)	Contacts	Mixed power
Description (mating face view male connectors)		Description (mating face view male connectors)	
163G1 46A/400V 3 + ground	163G1 46A/400V 3 + ground	165 46A/320V 5 contacts 2 x Ø1.6 (#16) 3 x Ø 3.6 (#8)	165 46A/320V 5 contacts 2 x Ø1.6 (#16) 3 x Ø 3.6 (#8)
Page 40	Page 40	Page 58	Page 58
			
		1613 23A/160V 13 contacts 4 x Ø2.4 (#12) 9 x Ø1.6 (#16)	
		Page 142	
			
		16E23/16D23 13A/32V 23 contacts 22 x Ø1.0 (#20) 1 x Ø1.6 (#16)	
		Page 174	

Note: Layouts in blue text are UTSX sealed unmated (Hi-seal) condition

Contacts #20:
from AWG 26 to 18
0.005" to 0.031"²
0.13 to 0.80 mm²

Contacts #16:
from AWG 30 to 14
0.002" to 0.098"²
0.05 to 2.5 mm²

Contacts #12:
from AWG 20 to 12
0.020" to 0.157"²
0.52 to 4 mm²

Contacts #8:
from AWG 16 to 8
0.059" to 0.393"²
1.5 to 10 mm²

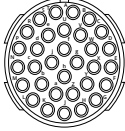

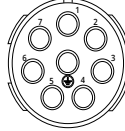
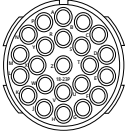
Souriau UTSX series

Layouts size 18

Layouts face male contact

Electrical parameter according to IEC61984 for a pollution degree IV and overvoltage category III.

A higher voltage can be applied by selecting the appropriate connectors and contacts. Please consult us for more information.

Contacts	Contact #20 (Ø 0.039"/1.0 mm)	Contacts	Contact #16 (Ø 0.062"/1.6 mm)	Contacts	Contact #12 (Ø 0.094"/2.4 mm)
Description (mating face view male connectors)		Description (mating face view male connectors)		Description (mating face view male connectors)	
	1832 - 18E32/18D32 4A/32V 32 contacts		18E11/18D11 13A/40V 11 contacts		187G1 23A/250V 7 + ground
	Page 192		Page 124		Page 92
					
			1823 8A/16V 23 contacts		
			Page 178		

Note: Layouts in blue text are UTSX sealed unmated (Hi-seal) condition

Contacts #20:
from AWG 26 to 18
0.005" to 0.031"²
0.13 to 0.80 mm²

Contacts #16:
from AWG 30 to 14
0.002" to 0.098"²
0.05 to 2.5 mm²

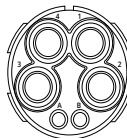
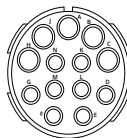
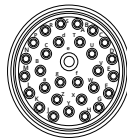
Contacts #12:
from AWG 20 to 12
0.020" to 0.157"²
0.52 to 4 mm²

Contacts #8:
from AWG 16 to 8
0.059" to 0.393"²
1.5 to 10 mm²

Layouts face male contact

Electrical parameter according to IEC61984 for a pollution degree IV and overvoltage category III.

A higher voltage can be applied by selecting the appropriate connectors and contacts. Please consult us for more information.

Contacts	Contact #8 (Ø 0.141"/3.6 mm)	Contacts	Mixed power
Description (mating face view male connectors)		Description (mating face view male connectors)	
			<p>186 46A/320V 6 contacts 4 x Ø3.6 (#8) 2 x Ø1.6 (#16)</p>
			Page 78
			
			<p>1813 23A/160V 13 contacts 5 x Ø2.4 (#12) 8 x Ø1.6 (#16)</p>
			Page 147
			
			<p>18E30/18D30 13A/20V 30 contacts 29 x Ø1.0 (#20) 1 x Ø1.6 (#16)</p>
			Page 188

Note: Layouts in blue text are UTSX sealed unmated (Hi-seal) condition

Contacts #20:
from AWG 26 to 18
0.005" to 0.031"²
0.13 to 0.80 mm²

Contacts #16:
from AWG 30 to 14
0.002" to 0.098"²
0.05 to 2.5 mm²

Contacts #12:
from AWG 20 to 12
0.020" to 0.157"²
0.52 to 4 mm²

Contacts #8:
from AWG 16 to 8
0.059" to 0.393"²
1.5 to 10 mm²

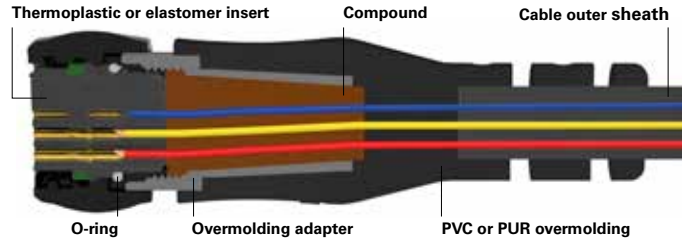
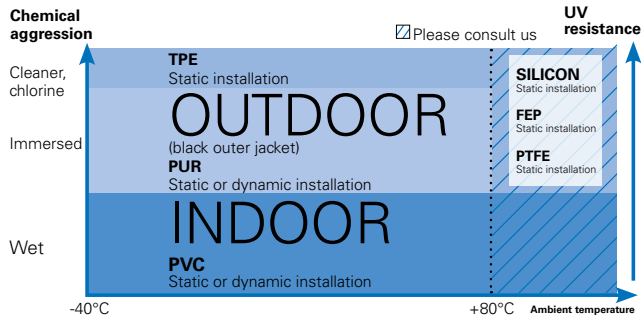
Souriau UTSX series

Overmolded cable assembly

Overmolded cable assembly

Overmolding is a process that further enhances the sealing properties of the UTSX series, especially over many years of use. Overmolding provides the opportunity to change the cable exit from straight to 90 degrees and avoid stress on the cable terminated to the connector. Also, as the wires are encapsulated inside the moulding, a barrier is created which prevents any liquid from entering the equipment through the connector if the cable jacket is breached.

How to choose the outer jacket material



Connector with cable gland backshell

GOOD



Overmolded connector

BEST



UTSX waterproof plastic overmold



HAUTSX standard offering

Cable

- PVC outer sheath (grey color)
- Wire section 16 AWG for #16 contact
- Wire section 20 AWG for #20 contact
- 300V
- Unshielded
- Operating temperature: -40°C +70°C

Overmolding specifications

Plating	Salt spray	Temperature*	Waterproof*	Mechanical
No plating	500 H	-30°C up to + 50°C	IP68/IP69K dynamic (mated)	250 matings/unmatings

* With appropriate cable and overmolding

Cable information

Range of temperature	Rated voltage	Wire section	Harmonized reference
-30°C +50°C	U0/U: 300/500V	Layouts with #16 contact: wire section 0.196"² (5 mm²)	H05 VV - F XX

Example of customized cable assemblies



Overmolding on curly cable



Overmolding with double ends



Harness for PCB connection

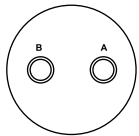
Souriau UTSX series

12E2/12D2 (Shell size 12, 2x#16)



Connector part number

UTSX 12E2/12D2



2 contacts + ground
13A/600V per UL 1977
with AWG16 wire

Contact type	Connector type	Backshell	Part number Male insert	Female insert
Hand solder electrical contacts loaded see Page 21	Square flange receptacle	Without (Fig. 1)	UTSX012E2P	UTSX012E2S
	Plug	Without (Fig. 5)	UTSX612E2P	UTSX612E2S
		Cable gland (Fig. 3)	UTSX6JC12E2P	UTSX6JC12E2S
PCB contacts loaded see Page 21	Jam nut receptacle	Without (Fig. 4)	UTSX712E2P	UTSX712E2S
	Square flange receptacle	Without (Fig. 2)	UTSX012D2P	UTSX012D2S
	Jam nut receptacle with stand off and without hold down clip	Without (Fig. 5)	UTSX712D2P	UTSX712D2S
	Jam nut receptacle with stand off and with hold down clips	Without (Fig. 6)	UTSX712D2P32	UTSX712D2S32

For discrimination/keying methods see **Page 223**

Sealed unmated

Overmolded cable assembly part numbers

Please contact us directly for overmolded cable assemblies.

Dimensions (For mated connector lengths see Page 215)

Square flange receptacle - UTSX0

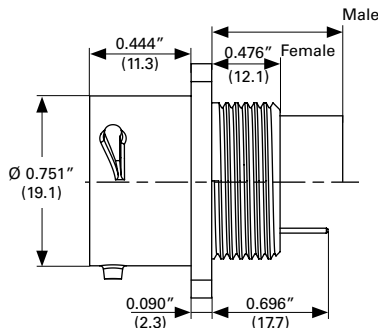
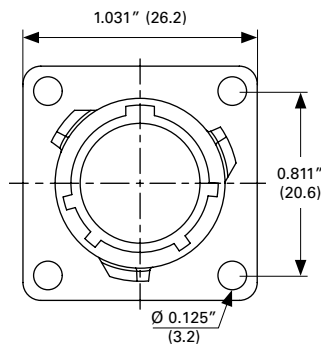


Fig. 1



Plug - UTSX6 and UTSX6JC

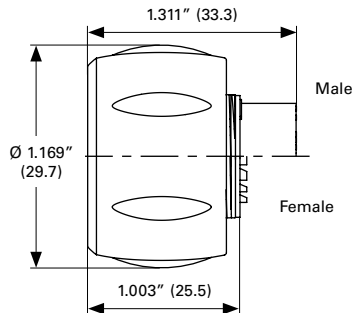


Fig. 2

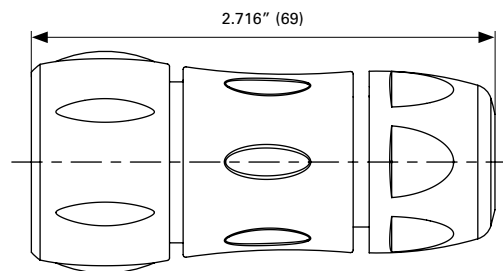


Fig. 3

Cable diameter acceptance: standard seal: from 0.098" to 0.472" (5 to 12), reduced seal: from 0.118" to 0.354" (3 to 9)

Jam nut receptacle UTSX7

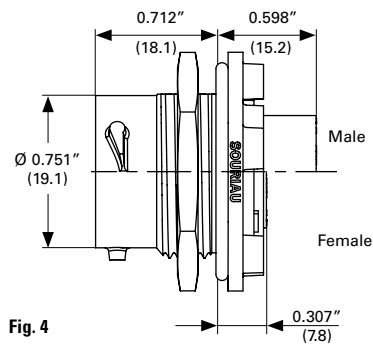


Fig. 4

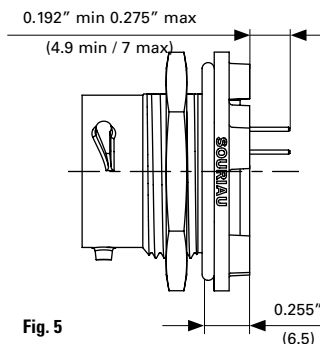


Fig. 5

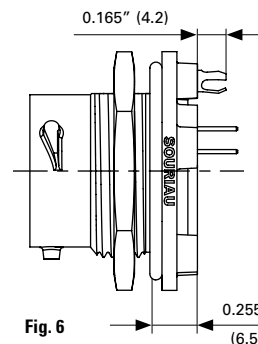
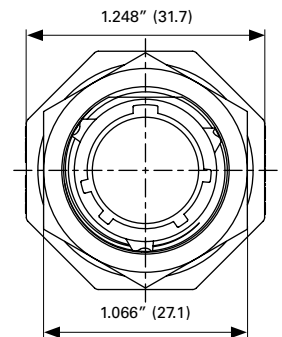
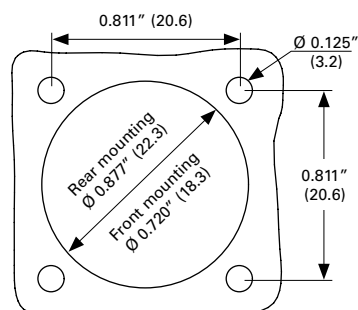


Fig. 6



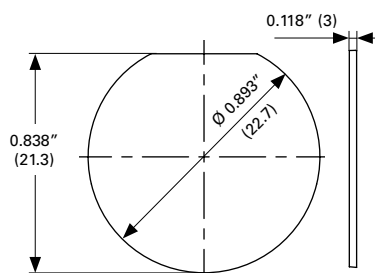
Panel cut out

Square flange receptacle - UTSX0



Dimensions in inches (millimeters)

Jam nut receptacle - UTSX7



Souriau UTSX series

12E2/12D2 (Shell size 12, 2x#16)

Accessories

Jam nut and free hanging receptacle sealing caps



Description	Part number
IP68	UTS12DCG
IP68 - Metal terminal	UTS12DCGR

Square flange sealing cap



Description	Part number
IP68 - Metal terminal	UTS12DCGE

Plug sealing cap



Description	Part number
IP68	UTX612DCG

Plastic protective cap



Part number receptacle cap	Part number plug cap
85005587A	85005596

Gasket



Part number
UTFD13B

Color coding rings



Description	Part number receptacles	Part number plugs
G for Green	UTS712CCRG	UTS612CCRG
Y for Yellow	UTS712CCRY	UTS612CCRY
R for Red	UTS712CCRR	UTS612CCRR

Contacts #16

Contact type	Plating	Cable acceptance (AWG)	Cable acceptance		Wire stripping length	
			inch ²	mm ²	inch	mm
Hand solder Loaded in the connector	Min 0.4µ gold over 0.8µ Ni	18-14	0.031"-0.098"	0.80-2.48	0.196"	5
PCB Machined ⁽¹⁾	Min 0.4µ gold over 0.8µ Ni	—	—	—	—	—

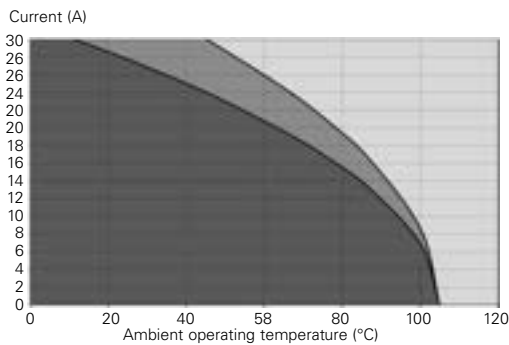
(1) For dimensions see **Page 205**

Electrical characteristics

UL	CSA	IEC
13A 600V with AWG16 wire	13A 600V with AWG16 wire	16A 150V 2.5kV 3

Electrical information according to the IEC 61984, with pollution degree IV and overvoltage category III.

UTSX 12E2/12D2 derating curves



- Current use
- Limited use
- Not recommended use

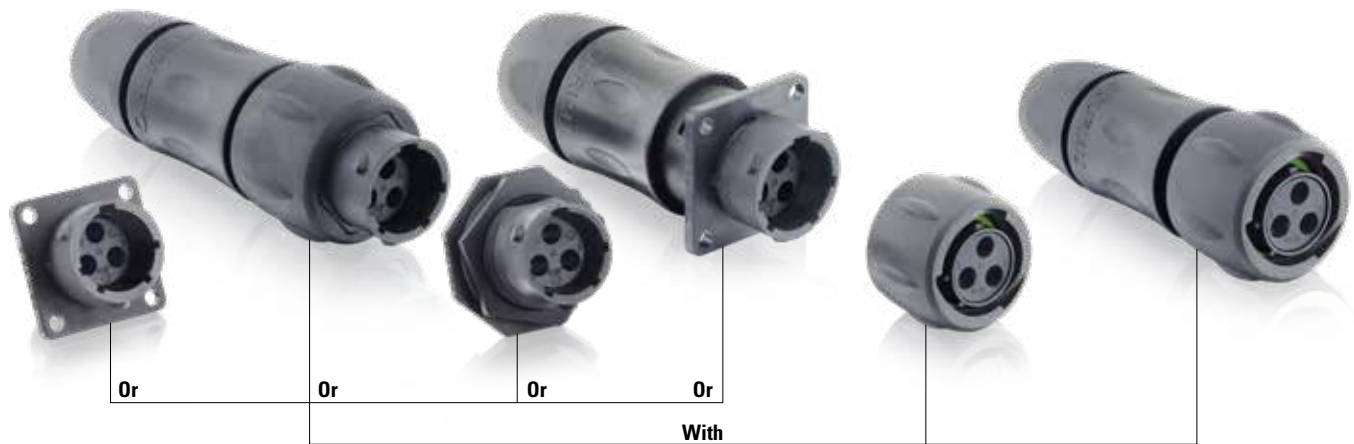
Test conditions

Contact used: machined contacts
Wires used: 16 AWG

Derating curves based on continuous current application.

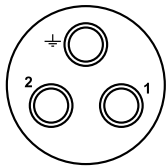
Souriau UTSX series

103 (Shell size 10, 2 + ground, 3x#16)



Connector part number

UTSX 103



2 contacts +
ground 10A/500V
per UL 1977 with
AWG16 wire

Contact type	Connector type	Backshell	Part number Male insert	Female insert
Crimp contacts supplied separately see Page 26	Square flange receptacle	Without (Fig. 1)	UTSX0103P	UTSX0103S
		Cable gland (Fig. 2)	UTSX0JC103P	UTSX0JC103S
	Free hanging receptacle	Without (Fig. 3)	UTSX1JC103P	UTSX1JC103S
		Cable gland (Fig. 5)	UTSX6JC103P	UTSX6JC103S
	Plug	Without (Fig. 4)	UTSX6103P	UTSX6103S
		Cable gland (Fig. 5)	UTSX6JC103P	UTSX6JC103S
Jam nut receptacle	Jam nut receptacle	Without (Fig. 6)	UTSX7103P	UTSX7103S
		Without (Fig. 7)	UTSX7103P	UTSX7103S
PCB contacts supplied separately see Page 26	Jam nut receptacle	Without (Fig. 7)	UTSX7103P	UTSX7103S

Overmolded cable assembly part numbers

Please contact us directly for overmolded cable assemblies.

Dimensions (For mated connector lengths see Page 215)

Square flange receptacle - UTSX0 and UTSX0JC

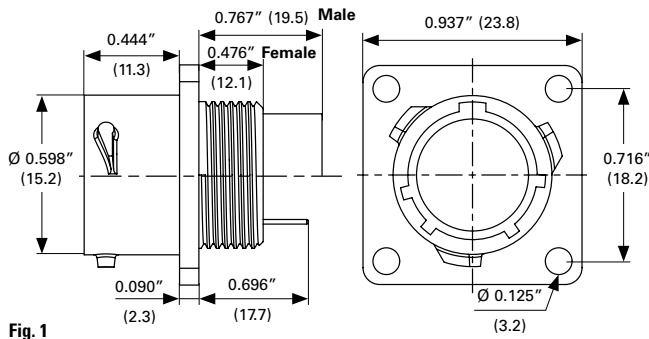


Fig. 1

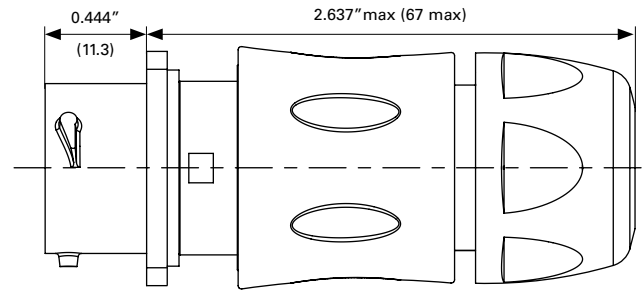


Fig. 2

Cable diameter acceptance: standard seal: from 0.098" to 0.314" (2.5 to 8), reduced seal: from 0.059" to 0.196" (1.5 to 5)

Free hanging - UTSX1JC

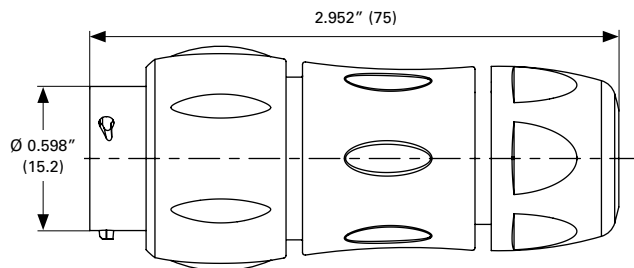


Fig. 3

Cable diameter acceptance: standard seal: from 0.098" to 0.314" (2.5 to 8), reduced seal: from 0.059" to 0.196" (1.5 to 5)

Plug - UTSX6 and UTSX6JC

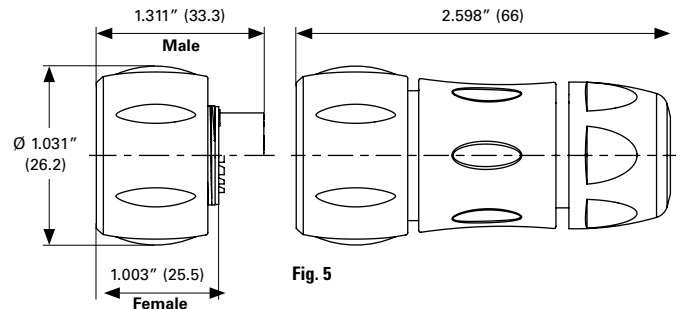


Fig. 4

Cable diameter acceptance: standard seal: from 0.098" to 0.314" (2.5 to 8), reduced seal: from 0.059" to 0.196" (1.5 to 5)

Jam nut receptacle UTSX7

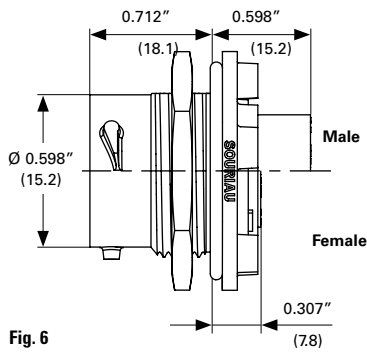


Fig. 6

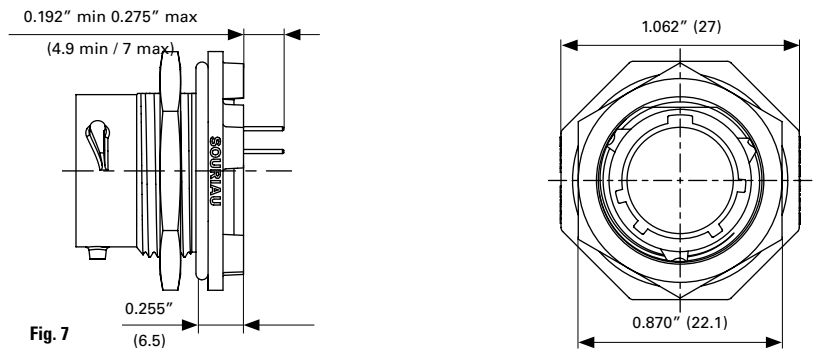
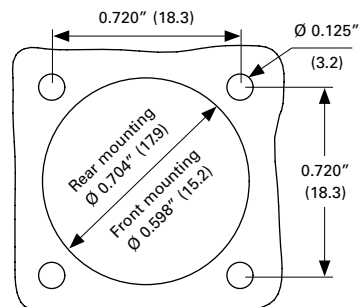


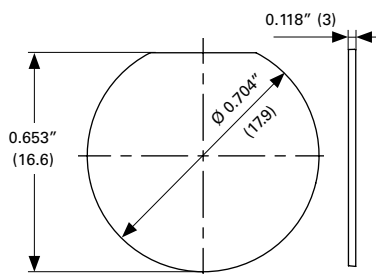
Fig. 7

Panel cut out

Square flange receptacle - UTSX0



Jam nut receptacle - UTSX7



Dimensions in inches (millimeters)

Souriau UTSX series

103 (Shell size 10, 2 + ground, 3x#16)

Accessories

Jam nut and free hanging receptacle sealing caps



Description	Part number
IP68	UTS10DCG
IP68 - Metal terminal	UTS10DCGR

Square flange sealing cap



Description	Part number
IP68-Metal terminal	UTS10DCGE

Plastic protective cap



Part number receptacle cap	Part number plug cap
85005586A	85005595

Plug sealing cap



Description	Part number
IP68	UTS10DCGE

Color coding rings



Description	Part number receptacles	Part number plugs
G for Green	UTS710CCRG	UTS610CCRG
Y for Yellow	UTS710CCRY	UTS610CCRY
R for Red	UTS710CCRR	UTS610CCRR

Tooling

#20 and #16 stamped or machined contacts



Crimp tooling (without Shandles)



Description	Part number
Handle (without head)	Shandles
Box containing handle and several crimp tooling	Toolkit

Contact size	Contacts	Part number of Head
Standard contacts #16 Ø 0.062" (1.6)	RM/RC 28M1K ⁽¹⁾	S16RCM20*
	RM/RC 24M9K ⁽¹⁾	S16RCM20*
	RM/RC 20M13K ⁽¹⁾	S16RCM20*
	RM/RC 20M12K ⁽¹⁾	S16RCM20*
	RM/RC 16M23K ⁽¹⁾	S16RCM16*
	RM/RC 14M30K ⁽¹⁾	S16RCM14*
	SM/SC 24ML1TK6 ⁽¹⁾	S16SCM20*
	SM/SC 20ML1TK6 ⁽¹⁾	S16SCM20*
	SM/SC 16ML1TK6 ⁽¹⁾	S16SCML1*
	SM/SC 14ML1TK6 ⁽¹⁾	S16SCML1*
	SM/SC 16ML11TK6 ⁽¹⁾	S16SCML11*

(1) Example of plating, for other plating options see [Page 198](#)

* Heads to be used with handle PN: SHANDLES

#16, #12 and #8 machined contacts



Description	Part number
Crimp tool	M20S-1J
Die casts and stop bushings	See Page 210

Extraction tool #16

Fig. 1



Fig. 2



Description	Part number
Fig. 1	RX2025GE1
Fig. 2 - Long endurance tool	RX2031J

Souriau UTSX series

103 (Shell size 10, 2 + ground, 3x#16)

Contacts #16

Contact style	Contact type	Cable acceptance		Part number	Wire Ø max		Insulator Ø max			
		AWG	inch ²		mm ²	inch	mm	inch	mm	
Crimp contacts	Machined	30-28	0.002"-0.003"	0.05-0.08	RM28M1K⁽¹⁾	RC28M1K⁽¹⁾	0.021"	0.55	0.039"	1.00
		26-24	0.005"-0.009"	0.13-0.25	RM24M9K⁽¹⁾	RC24M9K⁽¹⁾	0.031"	0.80	0.062"	1.58
		22-20	0.012"-0.020"	0.32-0.52	RM20M13K⁽¹⁾	RC20M13K⁽¹⁾	0.045"	1.15	0.070"	1.80
		22-20	0.012"-0.020"	0.32-0.52	RM20M12K⁽¹⁾	RC20M12K⁽¹⁾	0.045"	1.15	0.086"	2.20
		20-16	0.020"-0.059"	0.52-1.48	RM16M23K⁽¹⁾	RC16M23K⁽¹⁾	0.070"	1.80	0.125"	3.20
		16-14	0.059"-0.098"	1.48-2.48	RM14M30K⁽¹⁾	RC14M30K⁽¹⁾	0.090"	2.30	0.125"	3.20
	Stamped and formed reeled contacts See note ⁽²⁾ for loose piece	26-24	0.005"-0.009"	0.13-0.25	SM24M1TK6⁽¹⁾⁽²⁾	SC24M1TK6⁽¹⁾⁽²⁾	–	–	0.035"-0.062"	0.90-1.58
		22-20	0.012"-0.020"	0.32-0.52	SM20M1TK6⁽¹⁾⁽²⁾	SC20M1TK6⁽¹⁾⁽²⁾	–	–	0.047"-0.082"	1.20-2.10
		18-16	0.031"-0.059"	0.80-1.48	SM16M1TK6⁽¹⁾⁽²⁾	SC16M1TK6⁽¹⁾⁽²⁾	–	–	0.125"	3.20
		18-16	0.031"-0.059"	0.80-1.48	SM16M11TK6⁽¹⁾⁽²⁾	SC16M11TK6⁽¹⁾⁽²⁾	–	–	0.118"	3.00
		14	0.098"	2.48	SM14M1TK6⁽¹⁾⁽²⁾	SC14M1TK6⁽¹⁾⁽²⁾	–	–	0.125"	3.20
		PCB	Machined ⁽³⁾	–	–	RM20M12E83K⁽¹⁾	RC20M12E84K⁽¹⁾	–	–	–
Coaxial	Cable multipiece	see Page 202			RMDXK10D28	RCDXK1D28	–	–	–	–
	Cable monocrimp	see Page 202			RMDX60xxD28	RCDX60xxD28	–	–	–	–
	Twisted pair multipiece	see Page 202			RMDXK10D28 + yorx090	RCDXK1D28 + yorx090	–	–	–	–
	Twisted pair monocrimp	see Page 202			RMDX60xxD28	RCDX60xxD28	–	–	–	–
Fiber optic	POF contacts (Plastic optical fiber)	–			RMPOF1000	RCPOF1000B	–	–	–	–

(1) Example of plating, for other plating see **Page 198**

(2) Loose piece contact available by adding "L" after the "M" for the contact size and the plating. Example: SM20M1TK6 becomes SM20ML1TK6

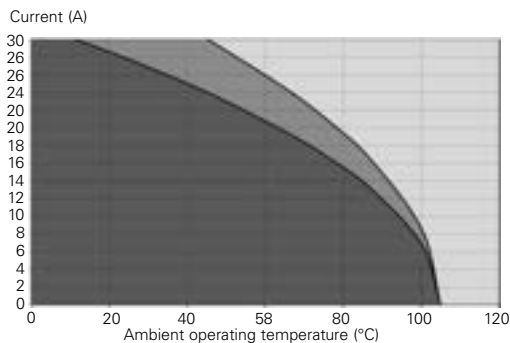
(3) For dimensions see **Page 205**

Electrical characteristics

UL	CSA	IEC
10A 500V with AWG16 wire	7A 500V with AWG16 wire	16A 300V 4kV 3 temperature elevation: 50°C

Electrical information according to the IEC 61984, with pollution degree IV and overvoltage category III.

UTSX 103 derating curves



- Current use
- Limited use
- Not recommended use

Test conditions

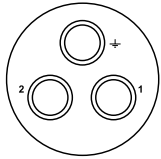
Contact used: machined contacts
Wires used: 16 AWG

Derating curves based on continuous current application.



Connector part number

UTSX 142G1



2 contacts + ground
Up to 44A/600V per UL
1977 with AWG8 wire

Contact type	Connector type	Backshell	Part number Male insert	Female insert
Crimp contacts supplied separately see Page 30	Square flange receptacle	Without (Fig. 1)	UTSX0142G1P	UTSX0142G1S
	Square flange receptacle	Cable gland (Fig. 2)	UTSX0JC142G1P	UTSX0JC142G1S
	Free hanging receptacle	Cable gland (Fig. 3)	UTSX1JC142G1P	UTSX1JC142G1S
	Plug	Without (Fig. 4)	UTSX6142G1P	UTSX6142G1S
	Plug	Cable gland (Fig. 5)	UTSX6JC142G1P	UTSX6JC142G1S
PCB contacts supplied separately see Page 30	Jam nut receptacle	Without (Fig. 6)	UTSX7142G1P	UTSX7142G1S
	Jam nut receptacle	Without (Fig. 7)	UTSX7142G1P	UTSX7142G1S

Overmolded cable assembly part numbers

Please contact us directly for overmolded cable assemblies.

Souriau UTSX series

142G1 (Shell size 14, 2 + ground, 3x#8)

Dimensions (For mated connector lengths see Page 215)

Square flange receptacle - UTSX0 and UTSX0JC

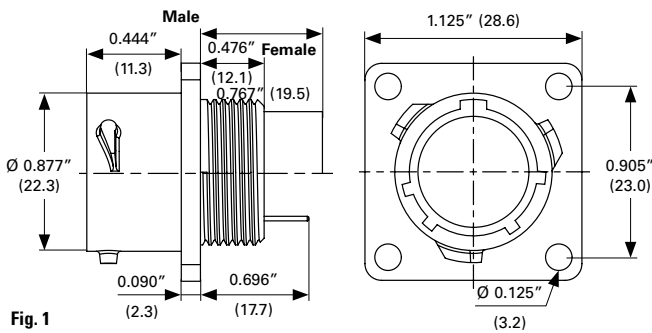


Fig. 1

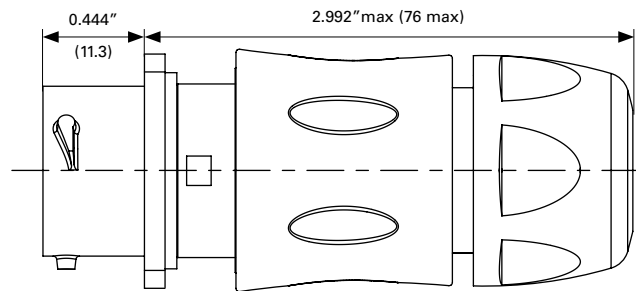


Fig. 2

Cable diameter acceptance: standard seal: from 0.275" to 0.551" (7 to 14), reduced seal: from 0.196" to 0.472" (5 to 12)

Free hanging - UTSX1JC

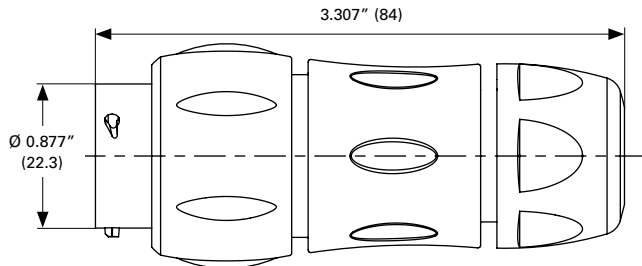


Fig. 3

Cable diameter acceptance: standard seal: from 0.275" to 0.551" (7 to 14), reduced seal: from 0.196" to 0.472" (5 to 12)

Plug - UTSX6 and UTSX6JC

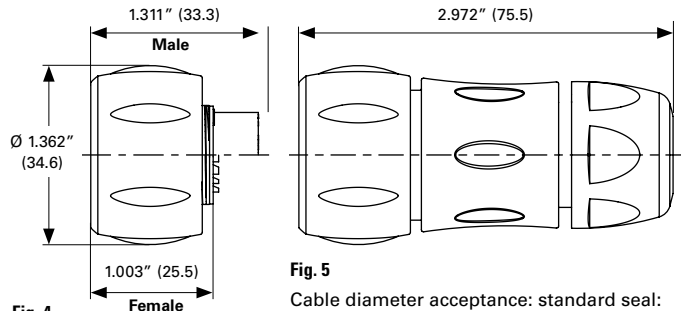


Fig. 4

Fig. 5

Cable diameter acceptance: standard seal: from 0.275" to 0.551" (7 to 14), reduced seal: from 0.196" to 0.472" (5 to 12)

Jam nut receptacle UTSX7

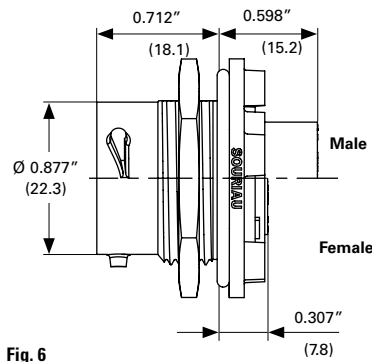


Fig. 6

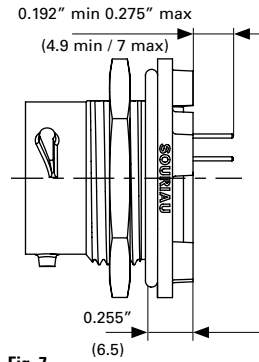
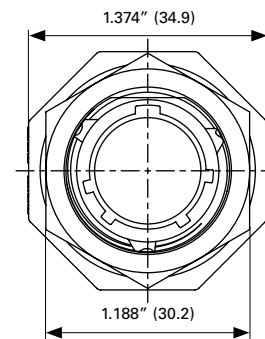
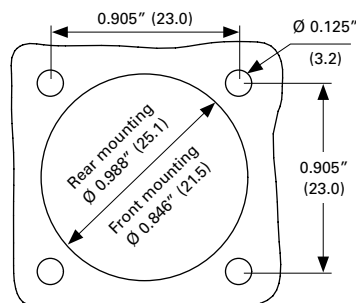


Fig. 7

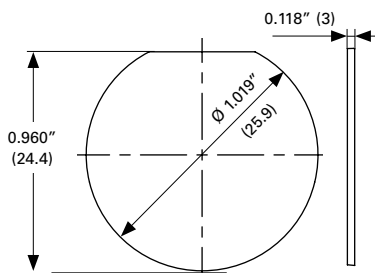


Panel cut out

Square flange receptacle - UTSX0



Jam nut receptacle - UTSX7



Dimensions in inches (millimeters)

Accessories

Jam nut and free hanging receptacle sealing caps



Description	Part number
IP68	UTS14DCG
IP68 - Metal terminal	UTS14DCGR

Plug sealing cap



Description	Part number
IP68	UTX614DCG

Plastic protective cap



Part number receptacle cap	Part number plug cap
85005588A	85005597

Gasket



Part number
UTFD14B

Color coding rings



Description	Part number receptacles	Part number plugs
G for Green	UTS714CCRG	UTS614CCRG
Y for Yellow	UTS714CCRY	UTS614CCRY
R for Red	UTS714CCRR	UTS614CCRR

Square flange sealing cap



Description	Part number
IP68-Metal terminal	UTS14DCGE

Souriau UTSX series

142G1 (Shell size 14, 2 + ground, 3x#8)

Tooling

#8 machined contacts



Description	Part number
Shandle only	M317

Positioner + Locator setting #8



Description	Part number
For crimp contacts #8 Ø 0.141" (3.6)	VGE10078A

#16, #12 and #8 machined contacts



Description	Part number
Crimp tool	M20S-1J
Die casts and stop bushings	See Page 210

Extraction tool #8



Description	Part number
For crimp contacts #8 Ø 0.141" (3.6)	51060210936

Contacts #8

Contact style	Contact type	Cable acceptance			Part number		Wire Ø max inch		Insulator Ø max	
		AWG	inch ²	mm ²	Male	Female	mm	inch	mm	
Crimp contacts	Machined	16	0.059"	1.48	82913601A⁽¹⁾	82913600A⁽¹⁾	0.067"	1.72	0.255"	6.5
Crimp contacts	Machined	14	0.098"	2.48	82913603A⁽¹⁾	82913602A⁽¹⁾	0.087"	2.20	0.255"	6.5
Crimp contacts	Machined	12	0.157"	4.00	82913605A⁽¹⁾	82913604A⁽¹⁾	0.111"	2.82	0.255"	6.5
Crimp contacts	Machined	10	0.236"	6.00	82913607A⁽¹⁾	82913606A⁽¹⁾	0.137"	3.48	0.255"	6.5
Crimp contacts	Machined	8	0.393"	10.00	82913609A⁽¹⁾	82913608A⁽¹⁾	0.171"	4.35	0.255"	6.5
PCB	Machined ⁽²⁾	—	—	—	82911685NPC⁽¹⁾	82911684NPC⁽¹⁾	—	—	—	—

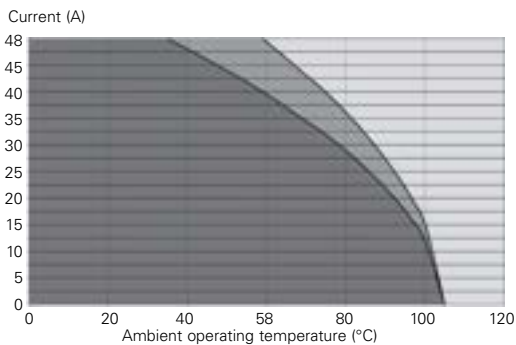
(1) Example of plating, for other plating see **Page 198**

(2) For dimensions see **Page 205**

Electrical characteristics

UL	CSA	IEC
44A 600V with AWG8 wire	34A 600V with AWG8 wire	40A 300V 4kV 3

UTSX 142G1 derating curves



- Current use
- Limited use
- Not recommended use

Test conditions

Contact used: machined contacts
Wires used: 8 AWG

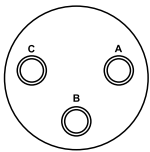
Derating curves based on continuous current application.

Dimensions in inches (millimeters)



Connector part number

UTSX 12E3/12D3



2 contacts
13A/600V per
UL 1977 with
AWG16 wire

Contact type	Connector type	Backshell	Part number Male insert	Female insert
Hand solder electrical contacts loaded see Page 34	Square flange receptacle	Without (Fig. 1)	UTSX012E3P	UTSX012E3S
	Plug	Without (Fig. 2)	UTSX612E3P	UTSX612E3S
	Plug	Cable gland (Fig. 3)	UTSX6JC12E3P	UTSX6JC12E3S
	Jam nut receptacle	Without (Fig. 4)	UTSX712E3P	UTSX712E3S
PCB contacts loaded see Page 34	Square flange receptacle	Without (Fig. 2)	UTSX012D3P	UTSX012D3S
	Jam nut receptacle with stand off and without hold down clip	Without (Fig. 5)	UTSX712D3P	UTSX712D3S
	Jam nut receptacle with stand off and with hold down clips	Without (Fig. 6)	UTSX712D3P32	UTSX712D3S32

For discrimination/keying methods see **Page 223**

Sealed unmated

Overmolded cable assembly part numbers

Please contact us directly for overmolded cable assemblies.

Souriau UTSX series

12E3/12D3 (Shell size 12, 3x#16)

Dimensions (For mated connector lengths see Page 215)

Square flange receptacle - UTSX0

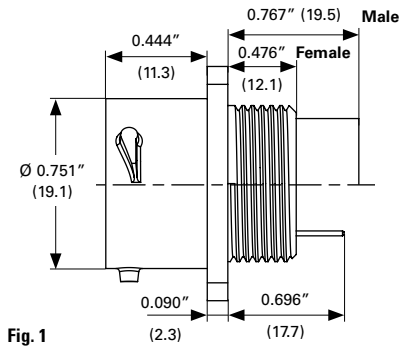
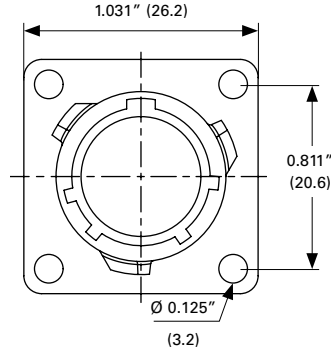


Fig. 1



Plug - UTSX6 and UTSX6JC

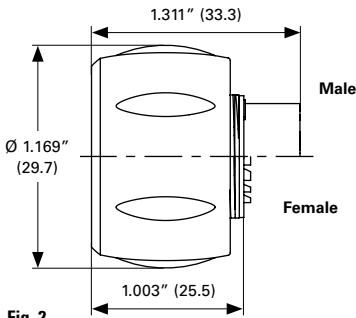


Fig. 2

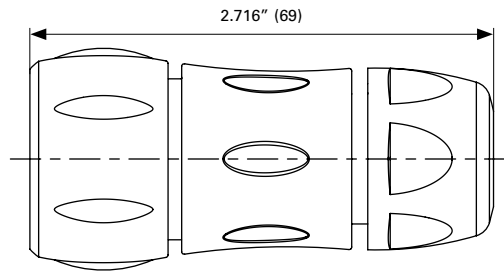


Fig. 3

Cable diameter acceptance: standard seal: from 0.098" to 0.472" (5 to 12), reduced seal: from 0.118" to 0.354" (3 to 9)

Jam nut receptacle UTSX7

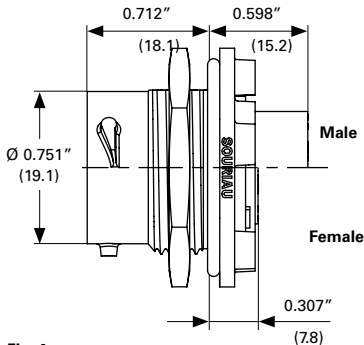


Fig. 4

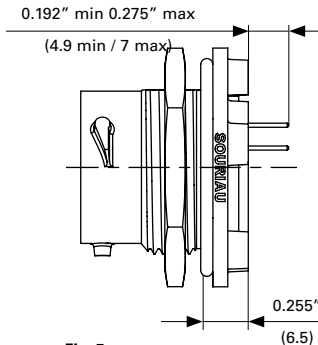


Fig. 5

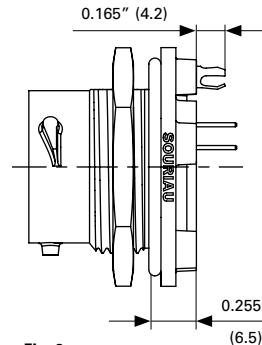
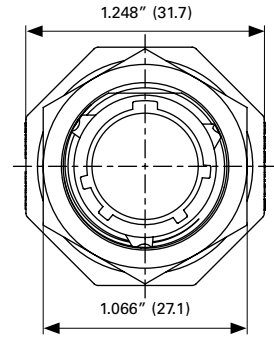
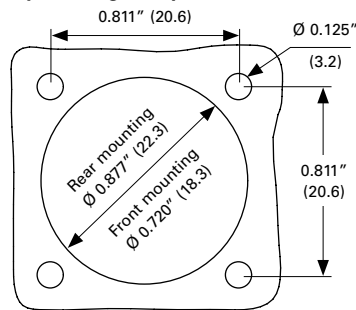


Fig. 6

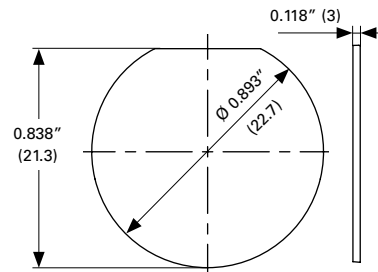


Panel cut out

Square flange receptacle - UTSX0



Jam nut receptacle - UTSX7



Dimensions in inches (millimeters)

Accessories

Jam nut and free hanging receptacle sealing caps



Description	Part number
IP68	UTS12DCG
IP68 - Metal terminal	UTS12DCGR

Square flange sealing cap



Description	Part number
IP68 - Metal terminal	UTS12DCGE

Plug sealing cap



Description	Part number
IP68	UTX612DCG

Plastic protective cap



Part number receptacle cap	Part number plug cap
85005587A	85005596

Gasket



Part number
UTFD13B

Color coding rings



Description	Part number receptacles	Part number plugs
G for Green	UTS712CCRG	UTS612CCRG
Y for Yellow	UTS712CCRY	UTS612CCRY
R for Red	UTS712CCRR	UTS612CCRR

Souriau UTSX series

12E3/12D3 (Shell size 12, 3x#16)

Contacts #16

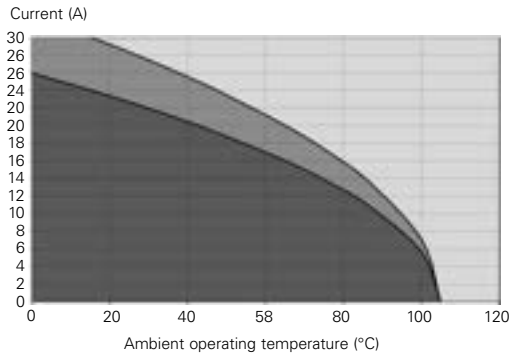
Contact type	Plating	Cable acceptance		Wire stripping length		
		(AWG)	inch ²	mm ²	inch	mm
Hand solder Loaded in the connector	Min 0.4μ gold over 0.8μ Ni	18-14	0.031"-0.098"	0.80-2.48	0.196"	5
PCB Machined ⁽¹⁾	Min 0.4μ gold over 0.8μ Ni	-	-	-	-	-

(1) For dimensions see **Page 205**

Electrical characteristics

UL	CSA	IEC
13A 600V with AWG16 wire	13A 600V with AWG16 wire	16A 150V 2.5kV 3

UTSX 12E3/12D3 derating curves



- Current use
- Limited use
- Not recommended use

Test conditions

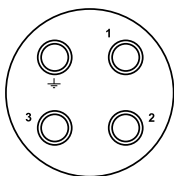
Contact used: machined contacts
Wires used: 16 AWG

Derating curves based on continuous current application.



Connector part number

UTSX 124



3 contacts + ground
16A/500V per UL 1977
with AWG14 wire

12E4/12D4

3 contacts + ground
13A/600V per UL 1977
with AWG16 wire

Contact type	Connector type	Backshell	Part number Male insert	Female insert
Crimp contacts supplied separately see Page 39	Square flange receptacle	Without (Fig. 1)	UTSX0124P	UTSX0124S
		Cable gland (Fig. 2)	UTSX0JC124P	UTSX0JC124S
	Free hanging receptacle	Cable gland (Fig. 3)	UTSX1JC124P	UTSX1JC124S
	Plug	Without (Fig. 4)	UTSX6124P	UTSX6124S
		Cable gland (Fig. 5)	UTSX6JC124P	UTSX6JC124S
	Jam nut receptacle	Without (Fig. 6)	UTSX7124P	UTSX7124S
Screw contacts loaded	Free hanging receptacle	Cable gland (Fig. 3)	UTSX1JC124PSCR	–
	Plug	Cable gland (Fig. 5)	UTSX6JC124PSCR	UTSX6JC124SSCR
	Jam nut receptacle	Without (Fig. 9)	UTSX7124PSCR	UTSX7124SSCR
PCB contacts supplied separately see Page 39	Square flange receptacle	Without (Fig. 1)	UTSX0124P	UTSX0124S
	Jam nut receptacle	Without (Fig. 7)	UTSX7124P	UTSX7124S
Hand solder electrical contacts loaded see Page 39	Square flange receptacle	Without (Fig. 1)	UTSX012E4P	UTSX012E4S
		Plug	Without (Fig. 4)	UTSX612E4P
	Jam nut receptacle	Cable gland (Fig. 5)	UTSX6JC12E4P	UTSX6JC12E4S
		Without (Fig. 6)	UTSX712E4P	UTSX712E4S
PCB contacts loaded	Square flange receptacle	Without (Fig. 3)	UTSX012D4P	UTSX012D4S
	Jam nut receptacle with stand off and without hold down clip	Without (Fig.7)	UTSX712D4P	UTSX712D4S
	Jam nut receptacle with stand off and with hold down clips	Without (Fig. 8)	UTSX712D4P32	UTSX712D4S32

Sealed unmated

Overmolded cable assembly part numbers

Please contact us directly for overmolded cable assemblies.

Souriau UTSX series

124 - 12E4/12D4 (Shell size 12, 3 + ground, 4x#16)

Dimensions (For mated connector lengths see Page 215)

Square flange receptacle - UTSX0 and UTSX0JC

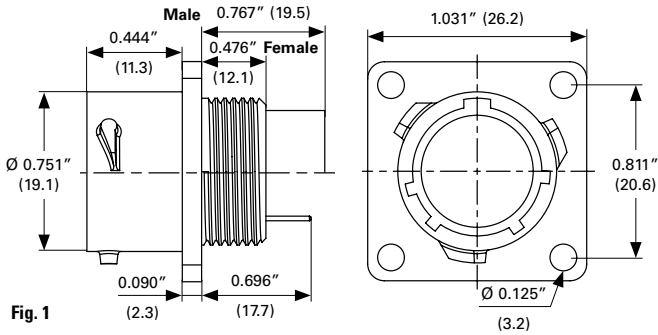


Fig. 1

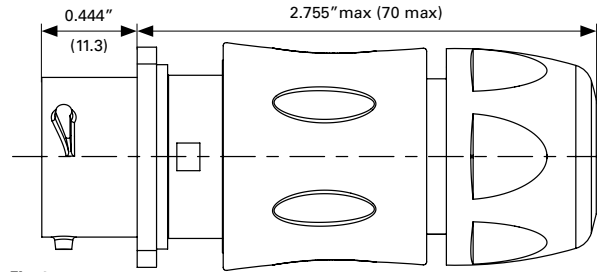


Fig. 2

Cable diameter acceptance: standard seal: from 0.098" to 0.472" (5 to 12), reduced seal: from 0.118" to 0.354" (3 to 9)

Free hanging - UTSX1JC

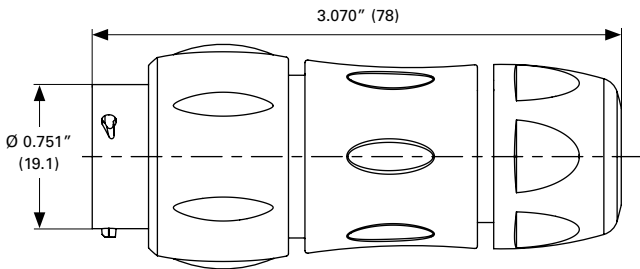


Fig. 3

Cable diameter acceptance: standard seal: from 0.098" to 0.472" (5 to 12), reduced seal: from 0.118" to 0.354" (3 to 9)

Plug - UTSX6 and UTSX6JC

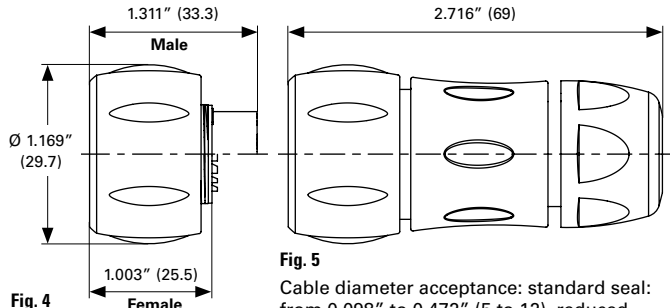


Fig. 4

Fig. 5

Cable diameter acceptance: standard seal: from 0.098" to 0.472" (5 to 12), reduced seal: from 0.118" to 0.354" (3 to 9)

Jam nut receptacle UTSX7

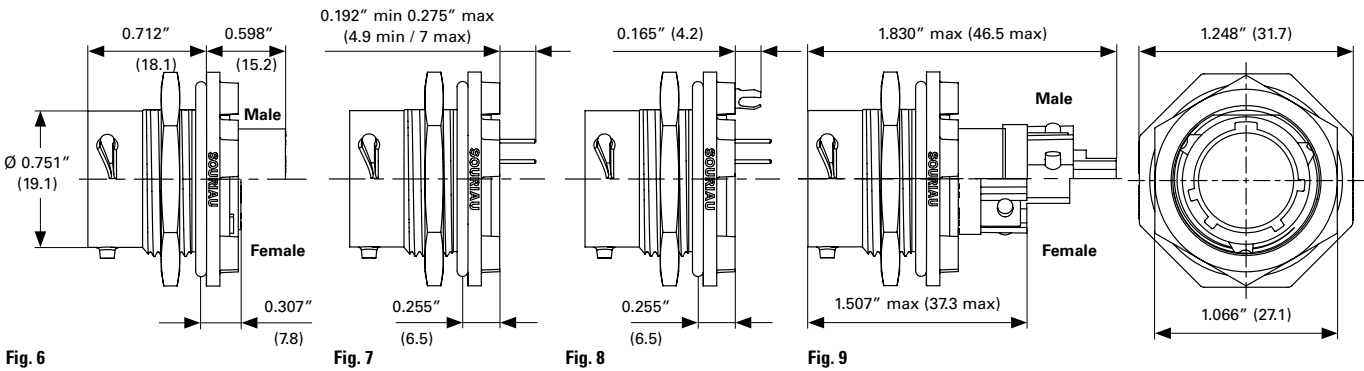


Fig. 6

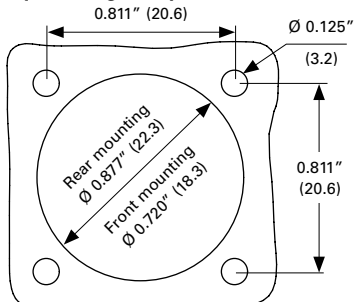
Fig. 7

Fig. 8

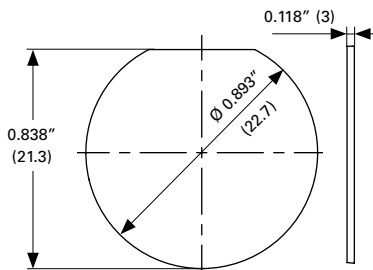
Fig. 9

Panel cut out

Square flange receptacle - UTSX0



Jam nut receptacle - UTSX7



Dimensions in inches (millimeters)

Accessories

Jam nut and free hanging receptacle sealing caps



Description	Part number
IP68	UTS12DCG
IP68 - Metal terminal	UTS12DCGR

Square flange sealing cap



Description	Part number
IP68 - Metal terminal	UTS12DCGE

Plug sealing cap



Description	Part number
IP68	UTX612DCG

Plastic protective cap



Part number receptacle cap	Part number plug cap
85005587A	85005596

Gasket



Part number
UTFD13B

Color coding rings



Description	Part number receptacles	Part number plugs
G for Green	UTS712CCRG	UTS612CCRG
Y for Yellow	UTS712CCRY	UTS612CCRY
R for Red	UTS712CCRR	UTS612CCRR

Souriau UTSX series

124 - 12E4/12D4 (Shell size 12, 3 + ground, 4x#16)

Tooling

#16 stamped or machined contacts



Description	Part number
Handle (without head)	Shandles
Box containing handle and several crimp tooling	Toolkit

Crimp tooling (without Shandles)



Contact size	Contacts	Part number of Head
Standard contacts #16 Ø 0.062" (1.6)	RM/RC 28M1K ⁽¹⁾	S16RCM20*
	RM/RC 24M9K ⁽¹⁾	S16RCM20*
	RM/RC 20M13K ⁽¹⁾	S16RCM20*
	RM/RC 20M12K ⁽¹⁾	S16RCM20*
	RM/RC 16M23K ⁽¹⁾	S16RCM16*
	RM/RC 14M30K ⁽¹⁾	S16RCM14*
	SM/SC 24ML1TK6 ⁽¹⁾	S16SCM20*
	SM/SC 20ML1TK6 ⁽¹⁾	S16SCM20*
	SM/SC 16ML1TK6 ⁽¹⁾	S16SCML1*
	SM/SC 14ML1TK6 ⁽¹⁾	S16SCML1*
	SM/SC 16ML11TK6 ⁽¹⁾	S16SCML11*

(1) Example of plating, for other plating options see **Page 198**
* Heads to be used with handle PN: SHANDLES

#16, #12 and #8 machined contacts



Description	Part number
Crimp tool	M20S-1J
Die casts and stop bushings	See Page 210

Extraction tool #16



Description	Part number
Fig. 1	RX2025GE1
Fig. 2 - Long endurance tool	RX2031J

Contacts #16

Contact style	Contact type	Cable acceptance		Part number	Wire Ø max		Insulator Ø max				
		AWG	inch ²		mm ²	inch	mm	inch	mm		
Crimp contacts	Machined	30-28	0.002"-0.003"	0.05-0.08	RM28M1K ⁽¹⁾	RC28M1K ⁽¹⁾	0.021"	0.55	0.039"	1.00	
		26-24	0.005"-0.009"	0.13-0.25	RM24M9K ⁽¹⁾	RC24M9K ⁽¹⁾	0.031"	0.80	0.062"	1.58	
		22-20	0.012"-0.020"	0.32-0.52	RM20M13K ⁽¹⁾	RC20M13K ⁽¹⁾	0.045"	1.15	0.070"	1.80	
		22-20	0.012"-0.020"	0.32-0.52	RM20M12K ⁽¹⁾	RC20M12K ⁽¹⁾	0.045"	1.15	0.086"	2.20	
		20-16	0.020"-0.059"	0.52-1.48	RM16M23K ⁽¹⁾	RC16M23K ⁽¹⁾	0.070"	1.80	0.125"	3.20	
		16-14	0.059"-0.098"	1.48-2.48	RM14M30K ⁽¹⁾	RC14M30K ⁽¹⁾	0.090"	2.30	0.125"	3.20	
	Stamped and formed reeled contacts See note ⁽²⁾ for loose piece	26-24	0.005"-0.009"	0.13-0.25	SM24M1TK6 ⁽¹⁾⁽²⁾	SC24M1TK6 ⁽¹⁾⁽²⁾	-	-	0.035"-0.062"	0.90-1.58	
		22-20	0.012"-0.020"	0.32-0.52	SM20M1TK6 ⁽¹⁾⁽²⁾	SC20M1TK6 ⁽¹⁾⁽²⁾	-	-	0.047"-0.082"	1.20-2.10	
		18-16	0.031"-0.059"	0.80-1.48	SM16M1TK6 ⁽¹⁾⁽²⁾	SC16M1TK6 ⁽¹⁾⁽²⁾	-	-	0.125"	3.20	
		18-16	0.031"-0.059"	0.80-1.48	SM16M11TK6 ⁽¹⁾⁽²⁾	SC16M11TK6 ⁽¹⁾⁽²⁾	-	-	0.118"	3.00	
		14	0.098"	2.48	SM14M1TK6 ⁽¹⁾⁽²⁾	SC14M1TK6 ⁽¹⁾⁽²⁾	-	-	0.125"	3.20	
	PCB	Machined ⁽³⁾	-	-	-	RM20M12E83K ⁽¹⁾	RC20M12E84K ⁽¹⁾	-	-	-	-
	Coaxial	Cable multipiece	see Page 202			RMDX10D28	RCDXK1D28	-	-	-	-
		Cable monocrimp				RMDX60xxD28	RCDX60xxD28	-	-	-	-
Twisted pair multipiece					RMDX10D28 + yorx090	RCDXK1D28 + yorx090	-	-	-	-	
Twisted pair monocrimp					RMDX60xxD28	RCDX60xxD28	-	-	-	-	
Fiber optic	POF contacts (Plastic optical fiber)	-	-	-	RMPOF1000	RCPOF1000B	-	-	-	-	
Handsoldier	Loaded in the connector	14-18	0.098"-0.031"	2.48-0.80	-	-	-	-	-	-	

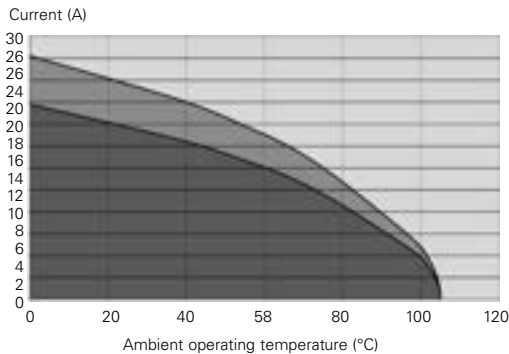
(1) Example of plating, for other plating see Page 198

(2) Loose piece contact available by adding "L" after the "M" for the contact size and the plating. Example: SM20M1TK6 becomes SM20ML1TK6 (3): For dimensions see Page 205

Electrical characteristics

UL	CSA	IEC
UTSX 124 16A 500V with AWG14 wire	16A 500V with AWG14 wire	16A 150V 2.5kV 3 temperature elevation: 50°C
UTSX 12E4/12D4 13A 600V with AWG16 wire	13A 600V with AWG16 wire	16A 150V 2.5kV 3 temperature elevation: 50°C

UTSX 124 - 12E4/12D4 derating curves



- Current use
- Limited use
- Not recommended use

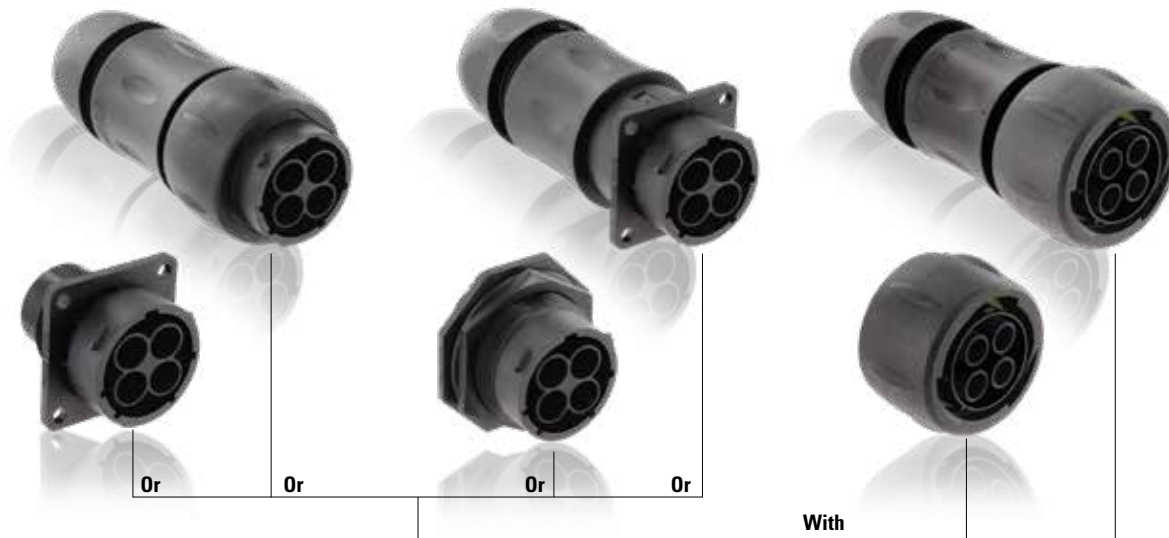
Test conditions

Contact used: machined contacts
Wires used: 16 AWG

Derating curves based on continuous current application.

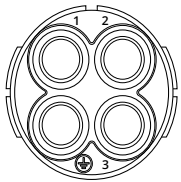
Souriau UTSX series

163G1 (Shell size 16, 3 + ground, 4 x #8)



Connector part number

UTSX 163G1



3 contacts + ground
46A/600V per UL 1977
with AWG8 wire

Contact type	Connector type	Backshell	Part number Male insert	Female insert
Crimp contacts supplied separately see Page 43	Square flange receptacle	Without (Fig. 1)	UTSX0163G1P	UTSX0163G1S
	Square flange receptacle	Cable gland (Fig. 2)	UTSX0JC163G1P	UTSX0JC163G1S
	Free hanging receptacle	Cable gland (Fig. 3)	UTSX1JC163G1P	UTSX1JC163G1S
	Plug	Without (Fig. 4)	UTSX6163G1P	UTSX6163G1S
	Plug	Cable gland (Fig. 5)	UTSX6JC163G1P	UTSX6JC163G1S
	Jam nut receptacle	Without (Fig. 6)	UTSX7163G1P	UTSX7163G1S
	Jam nut receptacle with stand off and with hold down clips	Without (Fig. 8)	UTSX7163G1P32	UTSX7163G1S32
PCB contacts supplied separately see Page 43	Square flange receptacle	Without (Fig. 1)	UTSX0163G1P	UTSX0163G1S
	Jam nut receptacle	Without (Fig. 7)	UTSX7163G1P	UTSX7163G1S

For discrimination/keying methods see **Page 223**

Overmolded cable assembly part numbers

Please contact us directly for overmolded cable assemblies.

Dimensions (For mated connector lengths see Page 215)

Square flange receptacle - UTSX0 and UTSX0JC

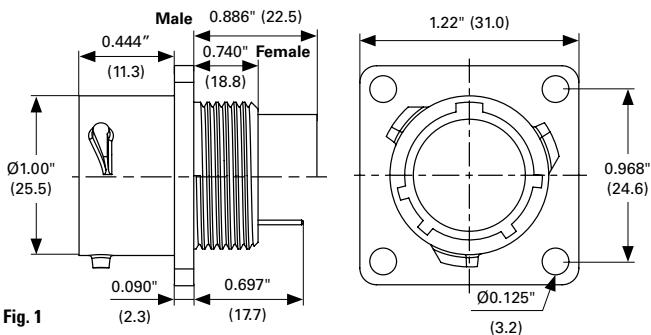


Fig. 1

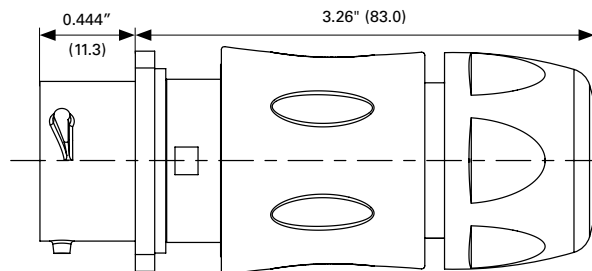


Fig. 2

Cable diameter acceptance: standard seal: from 0.472" to 0.630" (12 to 16), reduced seal: from 0.354" to 0.472" (9 to 12).

Free hanging - UTSX1JC and UTSXGJC

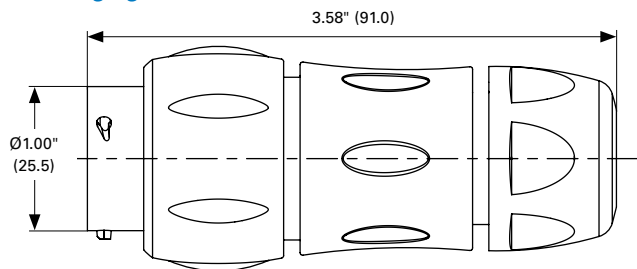


Fig. 3

Cable diameter acceptance: standard seal: from 0.472" to 0.630" (12 to 16), reduced seal: from 0.354" to 0.472" (9 to 12).

Plug - UTSX6 and UTSX6JC

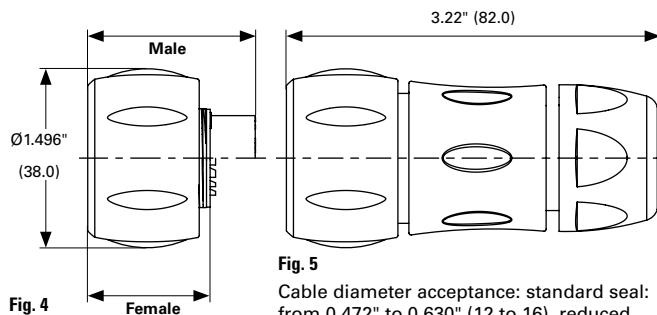


Fig. 4

Fig. 5

Cable diameter acceptance: standard seal: from 0.472" to 0.630" (12 to 16), reduced seal: from 0.354" to 0.472" (9 to 12).

Jam nut receptacle UTSX7

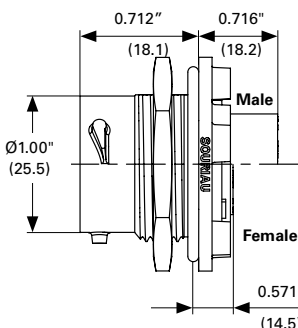


Fig. 6

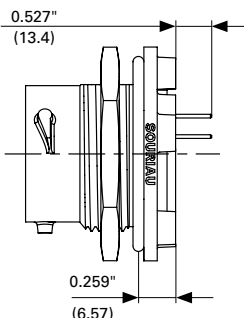


Fig. 7

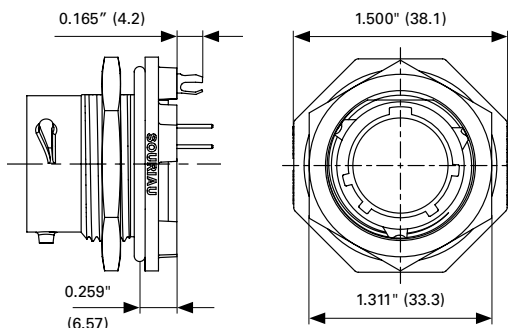
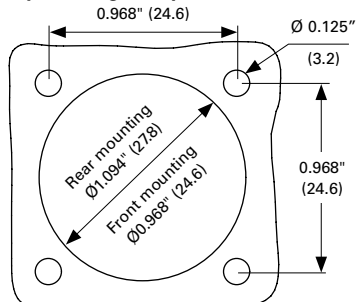


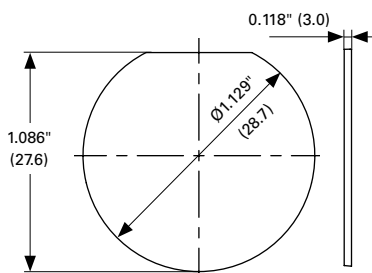
Fig. 8

Panel cut out

Square flange receptacle - UTSX0



Jam nut receptacle - UTSX7



Dimensions in inches (millimeters)

Souriau UTSX series

163G1 (Shell size 16, 3 + ground, 4 x #8)

Accessories

Jam nut and free hanging receptacle sealing caps



Description	Part number
IP68	UTS16DCG
IP68 - Metal terminal	UTS16DCGR

Square flange sealing cap



Description	Part number
IP68 - Metal terminal	UTS16DCGE

Plug sealing cap



Description	Part number
IP68	UTS616DCG

Plastic protective cap



Part number receptacle cap	Part number plug cap
85005589A	85005598

Gasket



Part number
UTFD15B

Color coding rings



Description	Part number receptacles	Part number plugs
G for Green	UTS716CCRG	UTS616CCRG
Y for Yellow	UTS716CCRY	UTS616CCRY
R for Red	UTS716CCRR	UTS616CCRR

Tooling

#8 Machine contacts



Contact size	Part number
Shandle only	M317

Positioner + Locator setting #8



Contact size	Part number
For Crimp Contacts #8 Ø 0.141" (3.6)	VEG10078A

Extraction tool #8



Description	Part number
For Crimp Contacts #8 Ø 0.141" (3.6)	51060210936

Contacts #8

Contact style	Contact type	Cable acceptance		Part number		Wire Ø max inch		Insulator Ø max		
		AWG	inch ²	mm ²	Male	Female	mm	inch	mm	
Crimp contacts	Machined	16	0.059"	1.48	82913601A ⁽¹⁾	82913600A ⁽¹⁾	0.067"	1.72	0.255"	6.5
Crimp contacts	Machined	14	0.098"	2.48	82913603A ⁽¹⁾	82913602A ⁽¹⁾	0.087"	2.20	0.255"	6.5
Crimp contacts	Machined	12	0.157"	4.00	82913605A ⁽¹⁾	82913604A ⁽¹⁾	0.111"	2.82	0.255"	6.5
Crimp contacts	Machined	10	0.236"	6.00	82913607A ⁽¹⁾	82913606A ⁽¹⁾	0.137"	3.48	0.255"	6.5
Crimp contacts	Machined	8	0.393"	10.00	82913609A ⁽¹⁾	82913608A ⁽¹⁾	0.171"	4.35	0.255"	6.5
PCB	Machined ⁽²⁾	–			82911685NPC ⁽¹⁾	82911684NPC ⁽¹⁾	–	–	–	–

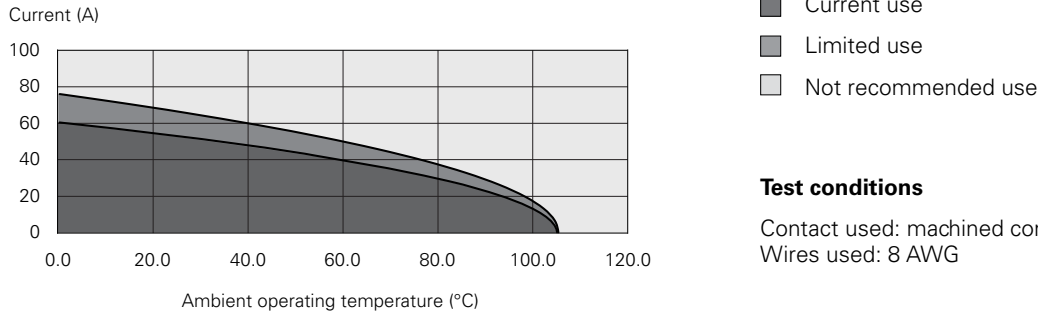
(1): Example of plating, for other plating see **Page 198**

(2): for dimensions see **Page 205**

Electrical characteristics

UL	CSA	IEC
UTSX 163G1 46A 600V	46A 600V	46A 400V 6KV 3

UTSX 163G1 derating curves



Test conditions

Contact used: machined contacts
Wires used: 8 AWG

Derating curves based on continuous current application.

Dimensions in inches (millimeters)

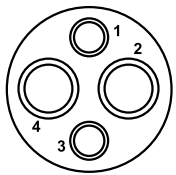
Souriau UTSX series

102W2 (Shell size 10, 2x#20, 2x12)



Connector part number

UTSX 102W2



4 contacts
 26A/600V per UL1977
 with AWG12 wire
 7.5A/250V per UL1977
 with AWG20 wire
 (qualification pending)

Contact type	Connector type	Backshell	Part number Male insert	Female insert
Crimp contacts supplied separately see Page 48	Square flange receptacle	Without (Fig. 1)	UTSX0102W2P	UTSX0102W2S
	Square flange receptacle	Cable gland (Fig. 2)	UTSX0JC102W2P	UTSX0JC102W2S
	Free hanging receptacle	Cable gland (Fig. 3)	UTSX1JC102W2P	UTSX1JC102W2S
	Plug	Without (Fig. 4)	UTSX6102W2P	UTSX6102W2S
	Plug	Cable gland (Fig. 5)	UTSX6JC102W2P	UTSX6JC102W2S
	Jam nut receptacle	Without (Fig. 6)	UTSX7102W2P	UTSX7102W2S

Dimensions (For mated connector lengths see Page 215)

Square flange receptacle - UTSX0 and UTSX0JC

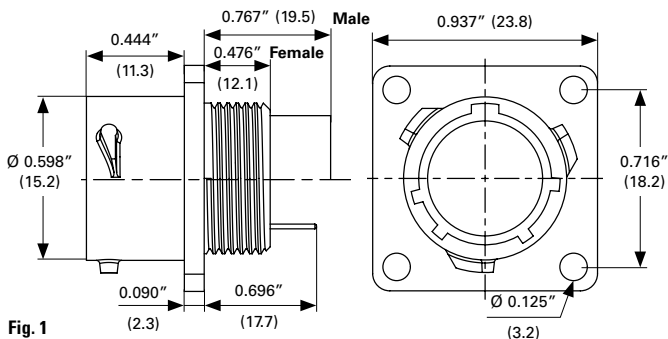


Fig. 1

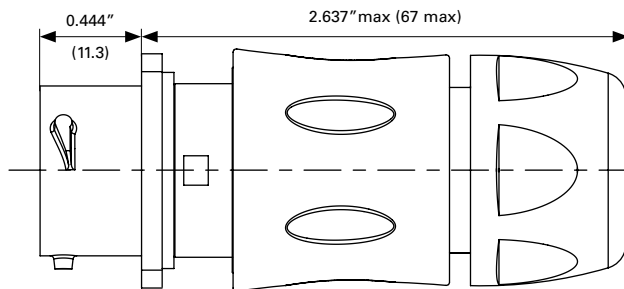


Fig. 2

Cable diameter acceptance: standard seal: from 0.098" to 0.314" (2.5 to 8), reduced seal: from 0.059" to 0.196" (1.5 to 5)

Free hanging - UTSX1JC

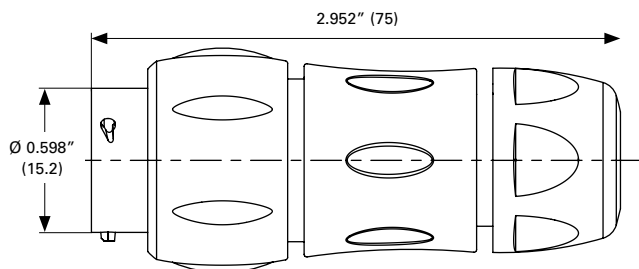


Fig. 3

Cable diameter acceptance: standard seal: from 0.098" to 0.314" (2.5 to 8), reduced seal: from 0.059" to 0.196" (1.5 to 5)

Free hanging - UTSX1JC

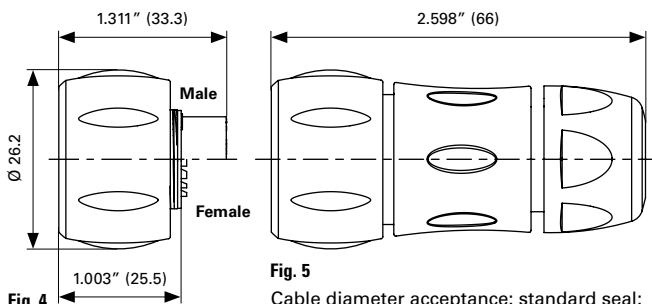


Fig. 4

Fig. 5

Cable diameter acceptance: standard seal: from 0.098" to 0.314" (2.5 to 8), reduced seal: from 0.059" to 0.196" (1.5 to 5)

Jam nut receptacle UTSX7

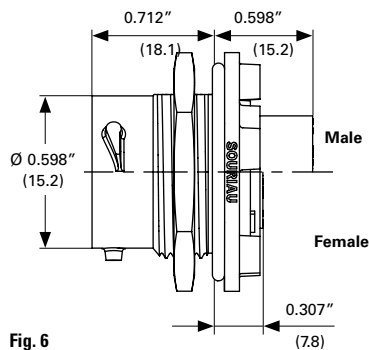
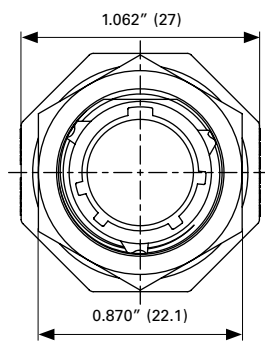
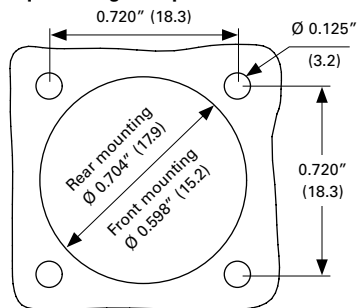


Fig. 6

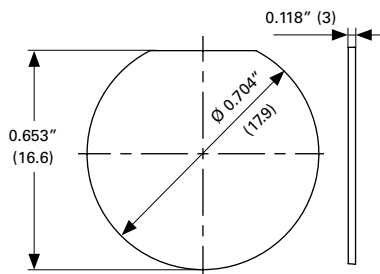


Panel cut out

Square flange receptacle - UTSX0



Jam nut receptacle - UTSX7



Dimensions in inches (millimeters)

Souriau UTSX series

102W2 (Shell size 10, 2x#20, 2x12)

Accessories

Jam nut and free hanging receptacle sealing caps



Description	Part number
IP68	UTS10DCG
IP68 - Metal terminal	UTS10DCGR

Plug sealing cap



Description	Part number
IP68	UTX610DCG

Plastic protective cap



Part number receptacle cap	Part number plug cap
85005586A	85005595

Gasket



Part number
UTFD12B

Color coding rings



Description	Part number receptacles	Part number plugs
G for Green	UTS710CCRG	UTS610CCRG
Y for Yellow	UTS710CCRY	UTS610CCRY
R for Red	UTS710CCRR	UTS610CCRR

Square flange sealing cap



Description	Part number
IP68 - Metal terminal	UTS10DCGE

Tooling

#20 machined and stamped contacts



Description	Part number
Handle (without head)	Shandles
Box containing handle and several crimp tooling	Toolkit

Crimp tooling (without Shandles)



Contact size	Contacts	Part number of Head
Standard contacts #20 Ø 0.039" (1)	RM/RC 24W3K ⁽¹⁾	S20RCM*
	RM/RC 20W3K ⁽¹⁾	S20RCM*
	RM/RC 18W3K ⁽¹⁾	S20RCM*
	SM/SC 24WL3 ⁽¹⁾⁽²⁾	S20SCM20*
	SM/SC 20WL3 ⁽¹⁾⁽²⁾	S20SCM20*

(1) Example of plating, for other plating options see **Page 198**

(2) Loose contact

* Heads to be used with handle PN: SHANDLES

Crimp tooling #12



Contact size	Part number hand tool	Part number positioner + locator setting
Standard contacts #12 Ø 0.094" (2,4)	M317	VGE10077A

#16, #12 and #8 machined contacts



Description	Part number
Crimp tool	M20S-1J
Die casts and stop bushings	See Page 210

Extraction tool



Description	Part number
Fig. 1 - Contacts #20 Ø 0.039" (1)	RX20D44
Fig. 2 - Contacts #12 Ø 0.094" (2,4)	51060210924

Souriau UTSX series

102W2 (Shell size 10, 2x#20, 2x12)

Contacts #20

Contact style	Contact type	Cable acceptance		Part number		Wire Ø max		Insulator Ø max		
		AWG	inch ²	mm ²	Male	Female	inch	mm	inch	mm
Crimp contacts	Machined	26-24	0.005"-0.009"	0.13-0.25	RM24W3K	RC24W3K	0.031"	0.80	0.062"	1.58
		22-20	0.012"-0.020"	0.32-0.52	RM20W3K	RC20W3K	0.045"	1.15	0.070"	1.80
		20-18	0.020"-0.031"	0.52-0.80	RM18W3K	RC18W3K	0.051"	1.30	0.082"	2.10
	Stamped and formed reeled contacts See note ⁽¹⁾ for loose piece	26-24	0.005"-0.009"	0.13-0.25	SM24W3TK6⁽¹⁾	SC24W3TK6⁽¹⁾	–	–	0.035"-0.062"	0.90-1.60
		26-24	0.005"-0.009"	0.13-0.25	SM24W3S26⁽¹⁾	SC24W3S25⁽¹⁾	–	–	0.035"-0.062"	0.90-1.60
		22-20	0.012"-0.020"	0.32-0.52	SM20W3TK6⁽¹⁾	SC20W3TK6⁽¹⁾	–	–	0.047"-0.082"	1.20-2.10
22-20	0.012"-0.020"	0.32-0.52	SM20W3S26⁽¹⁾	SC20W3S25⁽¹⁾	–	–	0.047"-0.082"	1.20-2.10		

(1) Loose piece contact available by adding "L" after the "M" for the contact size and the plating. Example: SM20W3TK6 becomes SM20WL3TK6

Contacts #12

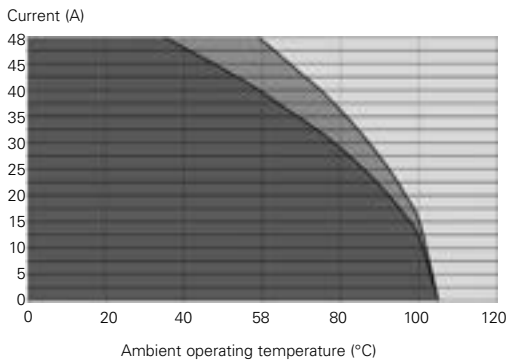
Contact style	Contact type	Cable acceptance		Part number		Wire Ø max		Insulator Ø max		
		AWG	inch ²	mm ²	Male	Female	inch	mm	inch	mm
Crimp contacts	Machined	20	0.020"	0.52	82911457NA	82911456A	0.034"	0.87	0.192"	4.90
		20	0.020"	0.52	82911459NA	82911458A	0.044"	1.12	0.192"	4.90
		18	0.031"	0.80	82911461NA	82911460A	0.055"	1.42	0.192"	4.90
		16	0.059"	1.48	82911463NA	82911462A	0.067"	1.72	0.192"	4.90
		14	0.098"	2.48	82911465NA	82911464A	0.087"	2.20	0.192"	4.90
		12	0.157"	4.00	82911467NA	82911466A	0.111"	2.82	0.192"	4.90

Electrical characteristics

UL	CSA	IEC
26A 600V with AWG12* 7.5A 250V with AWG20*	20A 600V with AWG12* 2.5A 250V with AWG20*	25A 150V 2.5kV 3 temperature elevation: 50°C

* qualification pending

UTSX 102W2 derating curves



- Current use
- Limited use
- Not recommended use

Test conditions

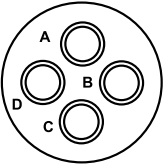
Contact used: machined contacts
Wires used: 16 AWG

Derating curves based on continuous current application.



Connector part number

UTSX 104



4 contacts
10A/500V per
UL 1977 with
AWG16 wire

Contact type	Connector type	Backshell	Part number Male insert	Female insert
Crimp contacts supplied separately see Page 53	Square flange receptacle	Without (Fig. 1)	UTSX0104P	UTSX0104S
	Square flange receptacle	Cable gland (Fig. 2)	UTSX0JC104P	UTSX0JC104S
	Free hanging receptacle	Cable gland (Fig. 3)	UTSX1JC104P	UTSX1JC104S
	Free hanging receptacle	Cable gland and grommet(Fig. 3)	UTSX1GJC104P	–
	Plug	Without (Fig. 4)	UTSX6104P	UTSX6104S
PCB contacts supplied separately see Page 53	Plug	Cable gland (Fig. 5)	UTSX6JC104P	UTSX6JC104S
	Plug	Cable gland and grommet(Fig. 5)	–	UTSX6GJC104S
	Jam nut receptacle	Without (Fig. 6)	UTSX7104P	UTSX7104S
	Jam nut receptacle	Cable gland and grommet (Fig. 8)	UTSX7GJC104P	–
	Jam nut receptacle	Without (Fig. 7)	UTSX7104P	UTSX7104S

For discrimination/keying methods see **Page 223**

Overmolded cable assembly part numbers

Please contact us directly for overmolded cable assemblies.

Souriau UTSX series

104 (Shell size 10, 4x#16)

Dimensions (For mated connector lengths see Page 215)

Square flange receptacle - UTSX0 and UTSX0JC

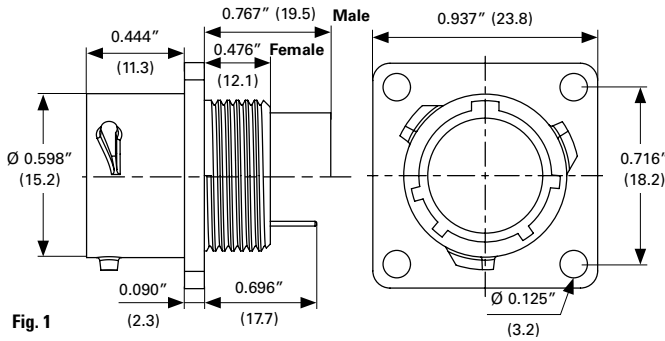


Fig. 1

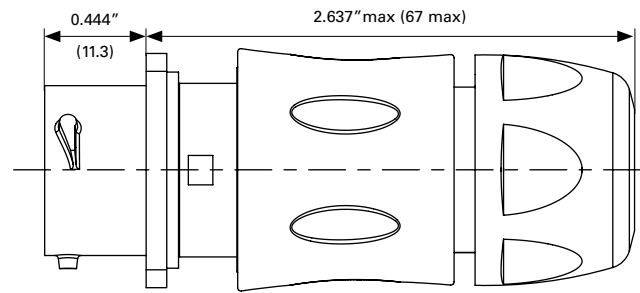


Fig. 2

Cable diameter acceptance: standard seal: from 0.098" to 0.314" (2.5 to 8), reduced seal: from 0.059" to 0.196" (1.5 to 5)

Free hanging - UTSX1JC and UTSX1GJC

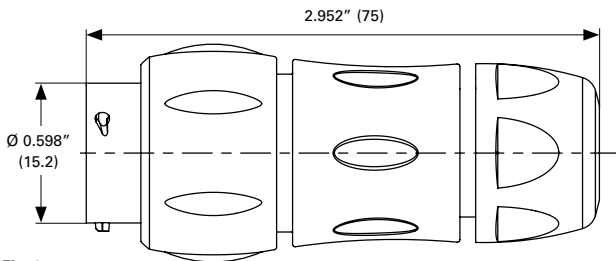


Fig. 3

Cable diameter acceptance: standard seal: from 0.098" to 0.314" (2.5 to 8), reduced seal: from 0.059" to 0.196" (1.5 to 5)

Plug - UTSX6, UTSX6JC and UTSX6GJC

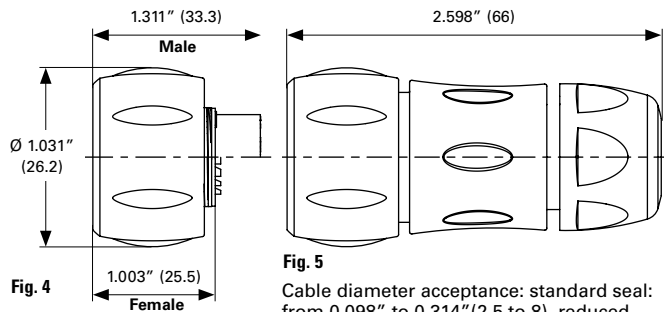


Fig. 4

Fig. 5

Cable diameter acceptance: standard seal: from 0.098" to 0.314" (2.5 to 8), reduced seal: from 0.059" to 0.196" (1.5 to 5)

Jam nut receptacle UTSX7 and UTSX7GJC

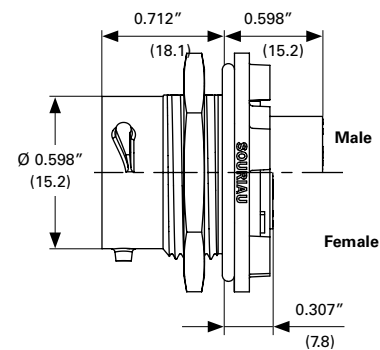


Fig. 6

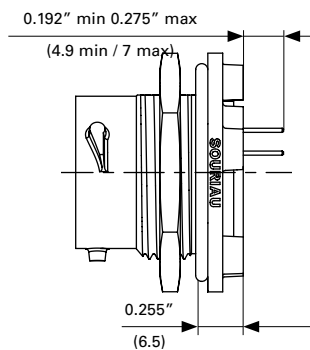
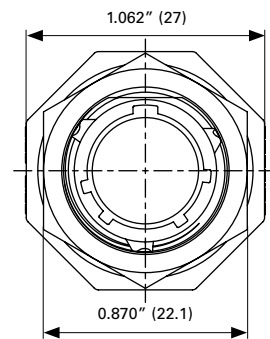
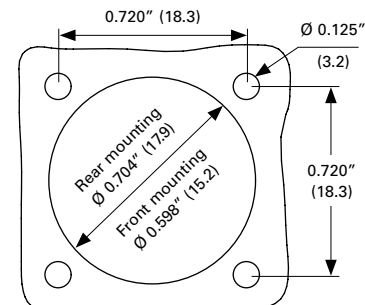


Fig. 7

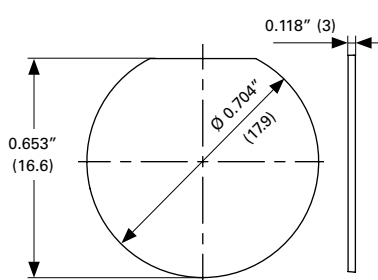


Panel cut out

Square flange receptacle - UTSX0



Jam nut receptacle - UTSX7



Dimensions in inches (millimeters)

Accessories

Jam nut and free hanging receptacle sealing caps



Description	Part number
IP68	UTS10DCG
IP68 - Metal terminal	UTS10DCGR

Square flange sealing cap



Description	Part number
IP68 - Metal terminal	UTS10DCGE

Plug sealing cap



Description	Part number
IP68	UTX610DCG

Plastic protective cap



Part number receptacle cap	Part number plug cap
85005586A	85005595

Gasket



Part number
UTFD12B

Color coding rings



Description	Part number receptacles	Part number plugs
G for Green	UTS710CCRG	UTS610CCRG
Y for Yellow	UTS710CCRY	UTS610CCRY
R for Red	UTS710CCRR	UTS610CCRR

Souriau UTSX series

104 (Shell size 10, 4x#16)

Tooling

#16 machined or stamped contacts



Description	Part number
Handle (without head)	Shandles
Box containing handle and several crimp tooling	Toolkit

Crimp tooling (without Shandles)



Contact size	Contacts	Part number of Head
Standard contacts #16 Ø 0.062" (1.6)	RM/RC 28M1K ⁽¹⁾	S16RCM20*
	RM/RC 24M9K ⁽¹⁾	S16RCM20*
	RM/RC 20M13K ⁽¹⁾	S16RCM20*
	RM/RC 20M12K ⁽¹⁾	S16RCM20*
	RM/RC 16M23K ⁽¹⁾	S16RCM16*
	RM/RC 14M30K ⁽¹⁾	S16RCM14*
	SM/SC 24ML1TK6 ⁽¹⁾	S16SCM20*
	SM/SC 20ML1TK6 ⁽¹⁾	S16SCM20*
	SM/SC 16ML1TK6 ⁽¹⁾	S16SCML1*
	SM/SC 14ML1TK6 ⁽¹⁾	S16SCML1*
SM/SC 16ML11TK6 ⁽¹⁾	S16SCML11*	

(1) Example of plating, for other plating options see **Page 198**

* Heads to be used with handle PN: SHANDLES

#16, #12 and #8 machined contacts



Description	Part number
Crimp tool	M20S-1J
Die casts and stop bushings	See Page 210

Extraction tool #16

Fig. 1



Fig. 2



Description	Part number
Fig. 1	RX2025GE1
Fig. 2 - Long endurance tool	RX2031J

Contacts #16

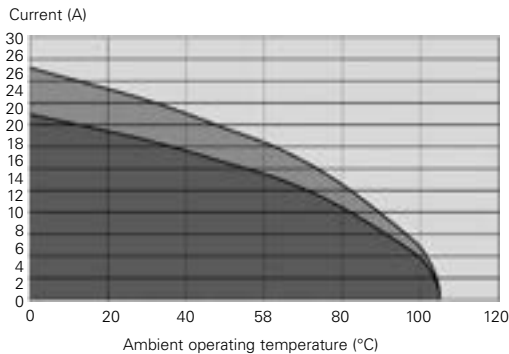
Contact style	Contact type	Cable acceptance		Part number	Wire Ø max		Insulator Ø max					
		AWG	inch ²		mm ²	inch	mm	inch	mm			
Crimp contacts	Machined	30-28	0.002"-0.003"	0.05-0.08	RM28M1K ⁽¹⁾	RC28M1K ⁽¹⁾	0.021"	0.55	0.039"	1.00		
		26-24	0.005"-0.009"	0.13-0.25	RM24M9K ⁽¹⁾	RC24M9K ⁽¹⁾	0.031"	0.80	0.062"	1.58		
		22-20	0.012"-0.020"	0.32-0.52	RM20M13K ⁽¹⁾	RC20M13K ⁽¹⁾	0.045"	1.15	0.070"	1.80		
		22-20	0.012"-0.020"	0.32-0.52	RM20M12K ⁽¹⁾	RC20M12K ⁽¹⁾	0.045"	1.15	0.086"	2.20		
		20-16	0.020"-0.059"	0.52-1.48	RM16M23K ⁽¹⁾	RC16M23K ⁽¹⁾	0.070"	1.80	0.125"	3.20		
		16-14	0.059"-0.098"	1.48-2.48	RM14M30K ⁽¹⁾	RC14M30K ⁽¹⁾	0.090"	2.30	0.125"	3.20		
	Stamped and formed reeled contacts See note ⁽²⁾ for loose piece	26-24	0.005"-0.009"	0.13-0.25	SM24M1TK6 ⁽¹⁾⁽²⁾	SC24M1TK6 ⁽¹⁾⁽²⁾	-	-	0.035"-0.062"	0.90-1.58		
		22-20	0.012"-0.020"	0.32-0.52	SM20M1TK6 ⁽¹⁾⁽²⁾	SC20M1TK6 ⁽¹⁾⁽²⁾	-	-	0.047"-0.082"	1.20-2.10		
		18-16	0.031"-0.059"	0.80-1.48	SM16M1TK6 ⁽¹⁾⁽²⁾	SC16M1TK6 ⁽¹⁾⁽²⁾	-	-	0.125"	3.20		
		18-16	0.031"-0.059"	0.80-1.48	SM16M11TK6 ⁽¹⁾⁽²⁾	SC16M11TK6 ⁽¹⁾⁽²⁾	-	-	0.118"	3.00		
		14	0.098"	2.48	SM14M1TK6 ⁽¹⁾⁽²⁾	SC14M1TK6 ⁽¹⁾⁽²⁾	-	-	0.125"	3.20		
		PCB	Machined ⁽³⁾	-	-	RM20M12E83K ⁽¹⁾	RC20M12E84K ⁽¹⁾	-	-	-	-	
		Coaxial	Cable multipiece	see Page 202	-	-	RMDXK10D28	RCDXK1D28	-	-	-	-
			Cable monocrimp	see Page 202	-	-	RMDX60xxD28	RCDX60xxD28	-	-	-	-
Twisted pair multipiece	see Page 202		-	-	RMDXK10D28 + yorx090	RCDXK1D28 + yorx090	-	-	-	-		
Twisted pair monocrimp	see Page 202		-	-	RMDX60xxD28	RCDX60xxD28	-	-	-	-		
Fiber optic	POF contacts (Plastic optical fiber)	-	-	-	RMPOF1000	RCPOF1000B	-	-	-	-		

(1) Example of plating, for other plating see Page 198
 (2) Loose piece contact available by adding "L" after the "M" for the contact size and the plating. Example: SM20M1TK6 becomes SM20ML1TK6
 (3) for dimensions see Page 205

Electrical characteristics

UL	CSA	IEC
10A 500V with AWG16 wire	7A 500V with AWG16 wire	13A 150V 2.5kV 3

UTSX 104 derating curves



- Current use
- Limited use
- Not recommended use

Test conditions

Contact used: machined contacts
 Wires used: 16 AWG

Derating curves based on continuous current application.

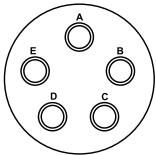
Souriau UTSX series

14E5/14D5 (Shell size 14, 5x#16)



Connector part number

UTSX 14E5/14D5



5 contacts 12A/600V per UL 1977 with AWG16 wire

Contact type	Connector type	Backshell	Part number Male insert	Female insert
Hand solder electrical contacts loaded see Page 57	Square flange receptacle	Without (Fig. 1)	UTSX014E5P	UTSX014E5S
	Plug	Without (Fig. 2)	UTSX614E5P	UTSX614E5S
	Plug	Cable gland (Fig. 3)	UTSX6JC14E5P	UTSX6JC14E5S
	Jam nut receptacle	Without (Fig. 4)	UTSX714E5P	UTSX714E5S
PCB contacts loaded see Page 57	Square flange receptacle	Without (Fig. 2)	UTSX014D5P	UTSX014D5S
	Jam nut receptacle with stand off and without hold down clip	Without (Fig. 5)	UTSX714D5P	UTSX714D5S
	Jam nut receptacle with stand off and with hold down clips	Without (Fig. 6)	UTSX714D5P32	UTSX714D5S32

For discrimination/keying methods see **Page 223**

Sealed unmated

Overmolded cable assembly part numbers

Please contact us directly for overmolded cable assemblies.

Dimensions (For mated connector lengths see Page 215)

Square flange receptacle - UTSX0

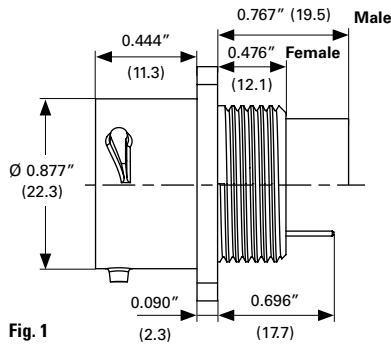
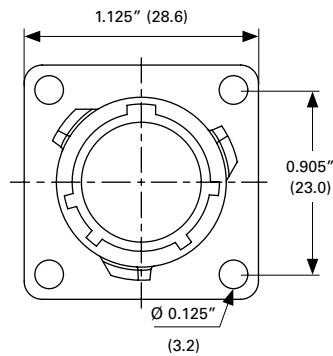


Fig. 1



Plug - UTSX6 and UTSX6JC

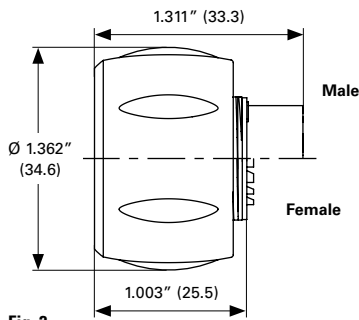


Fig. 2

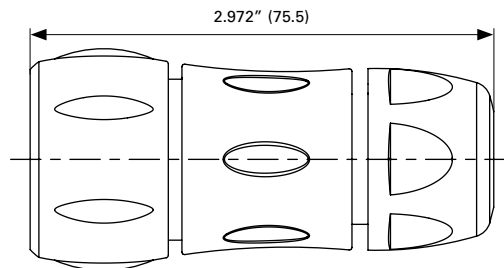


Fig. 3

Cable diameter acceptance: standard seal: from 0.275" to 0.551" (7 to 14), reduced seal: from 0.196" to 0.472" (5 to 12)

Jam nut receptacle UTSX7

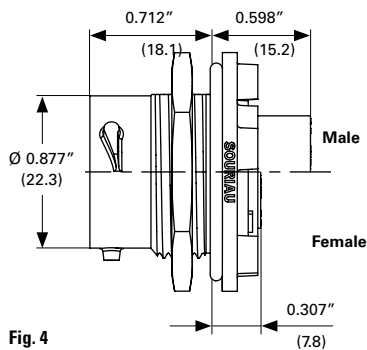


Fig. 4

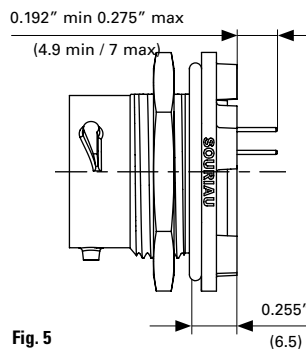


Fig. 5

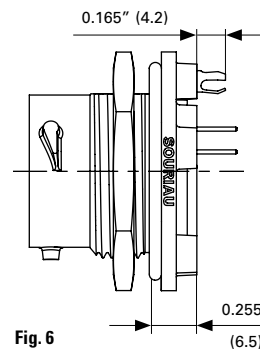
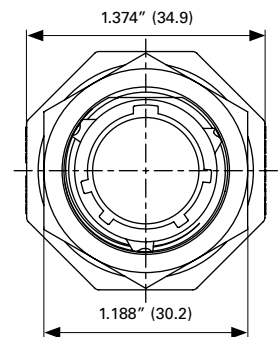
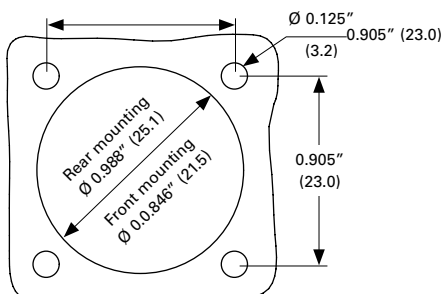


Fig. 6

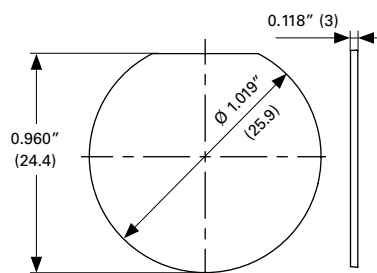


Panel cut out

Square flange receptacle - UTSX0



Jam nut receptacle - UTSX7



Dimensions in inches (millimeters)

Souriau UTSX series

14E5/14D5 (Shell size 14, 5x#16)

Accessories

Jam nut and free hanging receptacle sealing caps



Description	Part number
IP68	UTS14DCG
IP68 - Metal terminal	UTS14DCGR

Square flange sealing cap



Description	Part number
IP68 - Metal terminal	UTS14DCGE

Plug sealing cap



Description	Part number
IP68	UTX614DCG

Plastic protective cap



Part number receptacle cap	Part number plug cap
85005588A	85005597

Gasket



Part number
UTFD14B

Color coding rings



Description	Part number receptacles	Part number plugs
G for Green	UTS714CCRG	UTS614CCRG
Y for Yellow	UTS714CCRY	UTS614CCRY
R for Red	UTS714CCRR	UTS614CCRR

Contacts

Contact size	Contact type	Plating	Cable acceptance	Cable acceptance		Wire stripping length	
			AWG	inch ²	mm ²	inch	mm
#16	Hand solder Loaded in the connector	Min 0.4μ gold over 0.8μ Ni	18 - 14	0.031" - 0.098"	0.80 - 2.48	0.196"	5
	PCB Machined ⁽¹⁾	Min 0.4μ gold over 0.8μ Ni	—	—	—	—	—

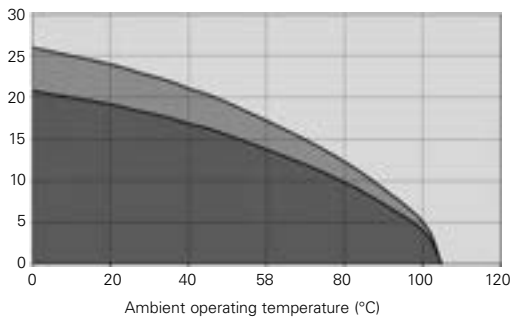
(1) For dimensions see **Pages 205**

Electrical characteristics

UL	CSA	IEC
12A 600V with AWG16 wire	12A 600V with AWG16 wire	16A 150V 2.5kV 3

UTSX 14E5/14D5 derating curves

Current (A)



- Current use
- Limited use
- Not recommended use

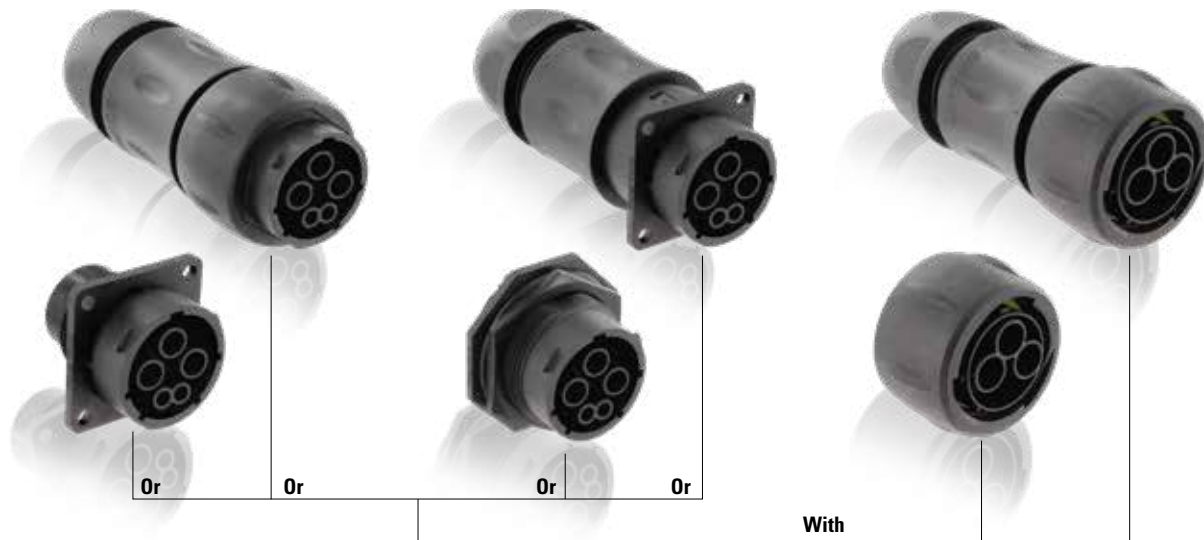
Test conditions

Contact used: machined contacts
Wires used: 16 AWG

Derating curves based on continuous current application.

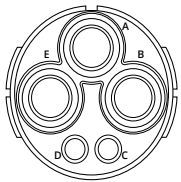
Souriau UTSX series

165 (Shell size 16, 2 x #16, 3 x #8)



Connector part number

UTSX 165



5 contacts
46A/600V per UL 1977
with AWG8 wire

Contact type	Connector type	Backshell	Part number Male insert	Female insert
Crimp contacts supplied separately see Page 62	Square flange receptacle	Without (Fig. 1)	UTSX0165P	UTSX0165S
	Square flange receptacle	Cable gland (Fig. 2)	UTSX0JC165P	UTSX0JC165S
	Free hanging receptacle	Cable gland (Fig. 3)	UTSX1JC165P	UTSX1JC165S
	Plug	Without (Fig. 4)	UTSX6165P	UTSX6165S
	Plug	Cable gland (Fig. 5)	UTSX6JC165P	UTSX6JC165S
	Jam nut receptacle	Without (Fig. 6)	UTSX7165P	UTSX7165S
PCB contacts supplied separately see Page 62	Jam nut receptacle with stand off and with hold down clips	Without (Fig. 8)	UTSX7165P32	UTSX7165S32
	Square flange receptacle	Without (Fig. 1)	UTSX0165P	UTSX0165S
	Jam nut receptacle	Without (Fig. 7)	UTSX7165P	UTSX7165S

For discrimination/keying methods see **Page 223**

Overmolded cable assembly part numbers

Please contact us directly for overmolded cable assemblies.

Dimensions (For mated connector lengths see Page 215)

Square flange receptacle - UTSX0 and UTSX0JC

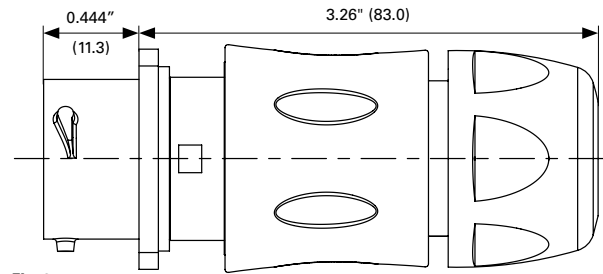
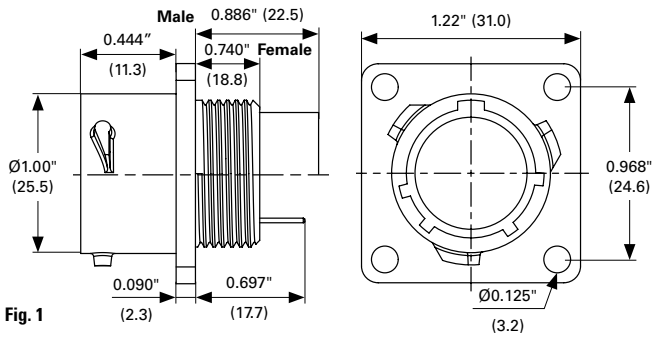


Fig. 1

Fig. 2

Cable diameter acceptance: standard seal: from 0.472" to 0.630" (12 to 16), reduced seal: from 0.354" to 0.472" (9 to 12).

Free hanging - UTSX1JC and UTSXGJC

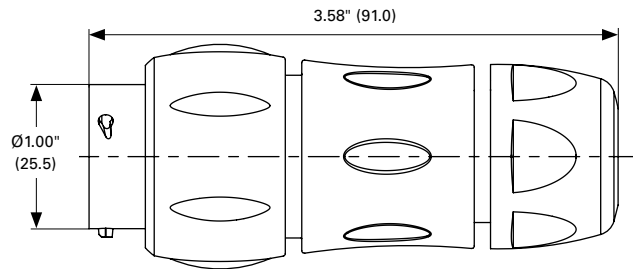


Fig. 3

Cable diameter acceptance: standard seal: from 0.472" to 0.630" (12 to 16), reduced seal: from 0.354" to 0.472" (9 to 12).

Plug - UTSX6 and UTSX6JC

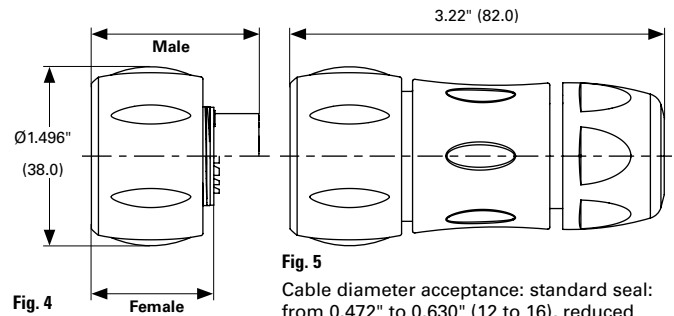


Fig. 4

Fig. 5

Cable diameter acceptance: standard seal: from 0.472" to 0.630" (12 to 16), reduced seal: from 0.354" to 0.472" (9 to 12).

Jam nut receptacle UTSX7

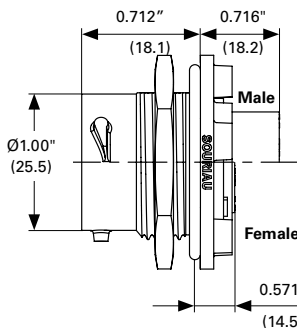


Fig. 6

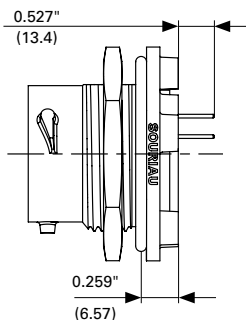


Fig. 7

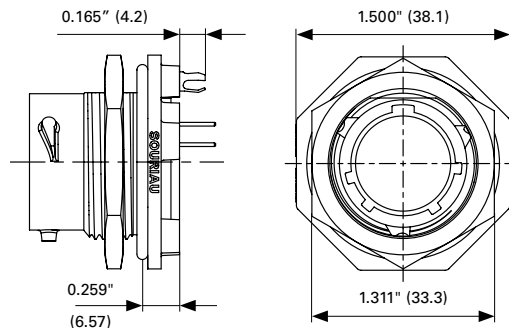
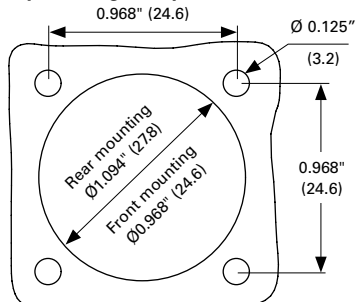


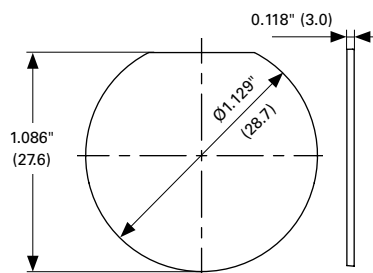
Fig. 8

Panel cut out

Square flange receptacle - UTSX0



Jam nut receptacle - UTSX7



Dimensions in inches (millimeters)

Souriau UTSX series

165 (Shell size 16, 2 x #16, 3 x #8)

Accessories

Jam nut and free hanging receptacle sealing caps



Description	Part number
IP68	UTS16DCG
IP68 - Metal terminal	UTS16DCGR

Square flange sealing cap



Description	Part number
IP68 - Metal terminal	UTS16DCGE

Plug sealing cap



Description	Part number
IP68	UTS616DCG

Plastic protective cap



Part number receptacle cap	Part number plug cap
85005589A	85005598

Gasket



Part number
UTFD15B

Color coding rings



Description	Part number receptacles	Part number plugs
G for Green	UTS716CCRG	UTS616CCRG
Y for Yellow	UTS716CCRY	UTS616CCRY
R for Red	UTS716CCRR	UTS616CCRR

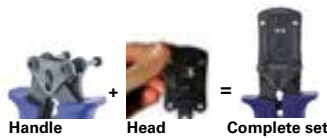
Tooling

Tooling



Description	Part number
Handle (without head)	Shandles
Box containing handle and several crimp tooling	Toolkit

Crimp tooling (without Shandles)



Contact size	Contacts	Part number of Head
Standard contacts #16 Ø 0.062" (1.6)	RM/RC 28M1K ⁽¹⁾	S16RCM20*
	RM/RC 24M9K ⁽¹⁾	S16RCM20*
	RM/RC 20M13K ⁽¹⁾	S16RCM20*
	RM/RC 20M12K ⁽¹⁾	S16RCM20*
	RM/RC 16M23K ⁽¹⁾	S16RCM16*
	RM/RC 14M30K ⁽¹⁾	S16RCM14*
	SM/SC 24ML1TK6 ⁽¹⁾	S16SCM20*
	SM/SC 20ML1TK6 ⁽¹⁾	S16SCM20*
	SM/SC 16ML1TK6 ⁽¹⁾	S16SCML1*
	SM/SC 14ML1TK6 ⁽¹⁾	S16SCML1*
	SM/SC 16ML11TK6 ⁽¹⁾	S16SCML11*

(1) Example of plating, for other plating options see **Page 198**
* Heads to be used with handle PN: SHANGLES

#16, #12 and #8 machined contacts



Description	Part number
Crimp tool	M20S-1J
Die casts and stop bushings	See Page 210

Extraction tool #16



Description	Part number
Fig. 1	RX2025GE1
Fig. 2 - Long endurance tool	RX2031J

#8 Machine contacts



Contact size	Part number
Shandle only	M317

Positioner + Locator setting #8



Contact size	Part number
For Crimp Contacts #8 Ø 0.141" (3.6)	VGE10078A

Extraction tool #8



Description	Part number
For Crimp Contacts #8 Ø 0.141" (3.6)	51060210936

Souriau UTSX series

165 (Shell size 16, 2 x #16, 3 x #8)

Contacts #16

Contact style	Contact type	Cable acceptance		Part number	Wire Ø max		Insulator Ø max			
		AWG	inch ²		mm ²	inch	mm	inch	mm	
Crimp contacts	Machined	30-28	0.002"-0.003"	0.05-0.08	RM28M1K⁽¹⁾	RC28M1K⁽¹⁾	0.021"	0.55	0.039"	1.00
		26-24	0.005"-0.009"	0.13-0.25	RM24M9K⁽¹⁾	RC24M9K⁽¹⁾	0.031"	0.80	0.062"	1.58
		22-20	0.012"-0.020"	0.32-0.52	RM20M13K⁽¹⁾	RC20M13K⁽¹⁾	0.045"	1.15	0.070"	1.80
		22-20	0.012"-0.020"	0.32-0.52	RM20M12K⁽¹⁾	RC20M12K⁽¹⁾	0.045"	1.15	0.086"	2.20
		20-16	0.020"-0.059"	0.52-1.48	RM16M23K⁽¹⁾	RC16M23K⁽¹⁾	0.070"	1.80	0.125"	3.20
		16-14	0.059"-0.098"	1.48-2.48	RM14M30K⁽¹⁾	RC14M30K⁽¹⁾	0.090"	2.30	0.125"	3.20
	Stamped and formed reeled contacts See note ⁽²⁾ for loose piece	26-24	0.005"-0.009"	0.13-0.25	SM24M1TK6⁽¹⁾⁽²⁾	SC24M1TK6⁽¹⁾⁽²⁾	-	-	0.035"-0.062"	0.90-1.58
		22-20	0.012"-0.020"	0.32-0.52	SM20M1TK6⁽¹⁾⁽²⁾	SC20M1TK6⁽¹⁾⁽²⁾	-	-	0.047"-0.082"	1.20-2.10
		18-16	0.031"-0.059"	0.80-1.48	SM16M1TK6⁽¹⁾⁽²⁾	SC16M1TK6⁽¹⁾⁽²⁾	-	-	0.125"	3.20
		18-16	0.031"-0.059"	0.80-1.48	SM16M11TK6⁽¹⁾⁽²⁾	SC16M11TK6⁽¹⁾⁽²⁾	-	-	0.118"	3.00
	14	0.098"	2.48	SM14M1TK6⁽¹⁾⁽²⁾	SC14M1TK6⁽¹⁾⁽²⁾	-	-	0.125"	3.20	
PCB	Machined ⁽³⁾	-	-	RM20M12E83K⁽¹⁾	RC20M12E84K⁽¹⁾	-	-	-	-	
Coaxial	Cable multipiece	see Page 202		RMDXK10D28	RCDXK1D28	-	-	-	-	
	Cable monocrimp	see Page 202		RMDX60xxD28	RCDX60xxD28	-	-	-	-	
	Twisted pair multipiece	see Page 202		RMDXK10D28 + yorx090	RCDXK1D28 + yorx090	-	-	-	-	
	Twisted pair monocrimp	see Page 202		RMDX60xxD28	RCDX60xxD28	-	-	-	-	
Fiber optic	POF contacts (Plastic optical fiber)	-	-	RMPOF1000	RCPOF1000B	-	-	-	-	
Hand solder	Loaded in the connector	14-18	0.098"-0.031"	2.48-0.80	-	-	-	-	-	

(1) Example of plating, for other plating see **Page 198**

(2) Loose piece contact available by adding "L" after the "M" for the contact size and the plating. Example: SM20M1TK6 becomes SM20ML1TK6

(3) For dimensions see **Page 205**

Contacts #8

Contact style	Contact type	Cable acceptance		Part number	Wire Ø max		Insulator Ø max			
		AWG	inch ²		mm ²	mm	inch	mm		
Crimp contacts	Machined	16	0.059"	1.48	82913601A⁽¹⁾	82913600A⁽¹⁾	0.067"	1.72	0.255"	6.5
Crimp contacts	Machined	14	0.098"	2.48	82913603A⁽¹⁾	82913602A⁽¹⁾	0.087"	2.20	0.255"	6.5
Crimp contacts	Machined	12	0.157"	4.00	82913605A⁽¹⁾	82913604A⁽¹⁾	0.111"	2.82	0.255"	6.5
Crimp contacts	Machined	10	0.236"	6.00	82913607A⁽¹⁾	82913606A⁽¹⁾	0.137"	3.48	0.255"	6.5
Crimp contacts	Machined	8	0.393"	10.00	82913609A⁽¹⁾	82913608A⁽¹⁾	0.171"	4.35	0.255"	6.5
PCB	Machined ⁽²⁾	-	-	-	82911685NPC⁽¹⁾	82911684NPC⁽¹⁾	-	-	-	-

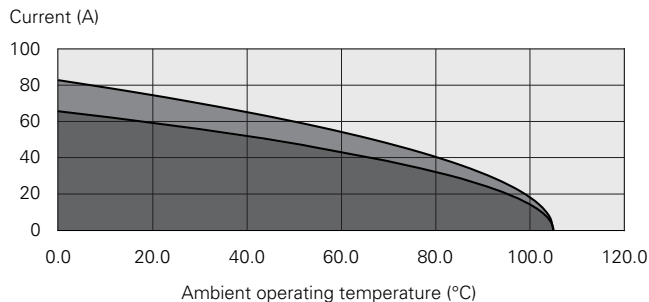
(1) Example of plating, for other plating see **Page 198**

(2) For dimensions see **Page 205**

Electrical characteristics

UL	CSA	IEC
UTSX 165 46A 600V with AWG8 wire	40A 600V with AWG8 wire	46A 320V 4kV 3

UTSX 165 derating curves



- Current use
- Limited use
- Not recommended use

Test conditions

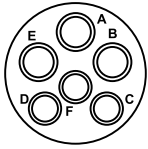
Contact used: machined contacts
Wires used: 8 AWG

Derating curves based on continuous current application.



Connector part number

UTSX 103W3



6 contacts
 13A/500V per UL1977
 with AWG16 wire
 7.5A/250V per UL1977
 with AWG20 wire
 (qualification pending)

Contact type	Connector type	Backshell	Part number Male insert	Female insert
Crimp contacts supplied separately see Page 68	Square flange receptacle	Without (Fig. 1)	UTSX0103W3P	UTSX0103W3S
	Square flange receptacle	Cable gland (Fig. 2)	UTSX0JC103P	UTSX0JC103S
	Free hanging receptacle	Cable gland (Fig. 3)	UTSX1JC103W3P	UTSX1JC103W3S
	Plug	Without (Fig. 4)	UTSX6103W3P	UTSX6103W3S
	Plug	Cable gland (Fig. 5)	UTSX6JC103W3P	UTSX6JC103W3S
PCB contacts supplied separately see Page 68	Jam nut receptacle	Without (Fig. 6)	UTSX7103W3P	UTSX7103W3S
	Jam nut receptacle with stand off and without hold down clip	Without (Fig. 7)	UTSX7103W3P	UTSX7103W3S

Souriau UTSX series

103W3 (Shell size 10, 3x#20, 3x16)

Dimensions (For mated connector lengths see Page 215)

Square flange receptacle - UTSX0 and UTSX0JC

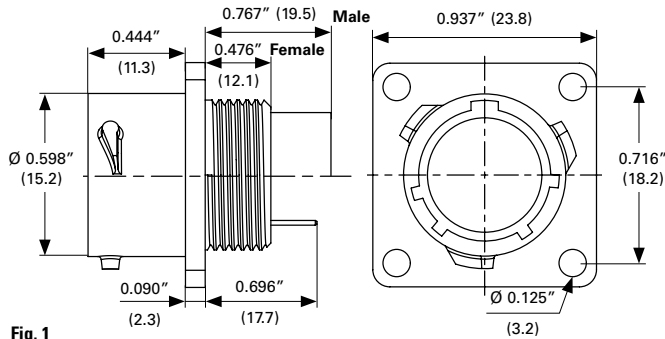


Fig. 1

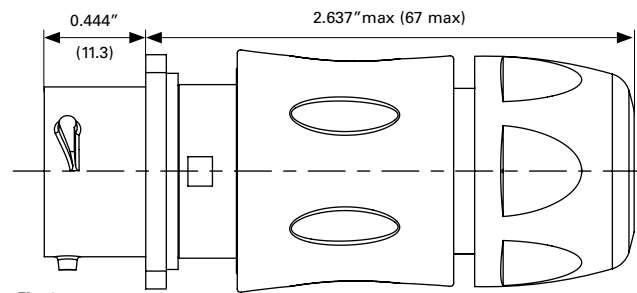


Fig. 2

Cable diameter acceptance: standard seal: from 0.098" to 0.314" (2.5 to 8), reduced seal: from 0.059" to 0.196" (1.5 to 5)

Free hanging - UTSX1JC

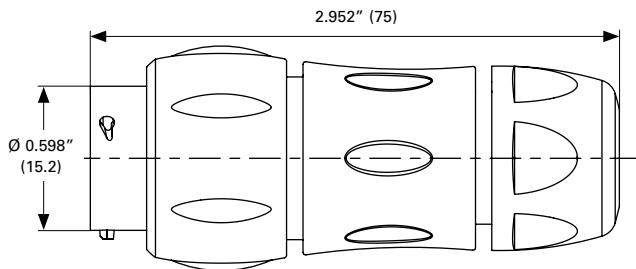


Fig. 3

Cable diameter acceptance: standard seal: from 0.098" to 0.314" (2.5 to 8), reduced seal: from 0.059" to 0.196" (1.5 to 5)

Plug - UTSX6 and UTSX6JC

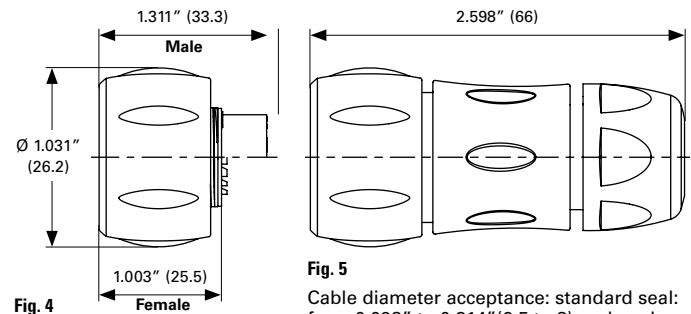


Fig. 4

Fig. 5

Cable diameter acceptance: standard seal: from 0.098" to 0.314" (2.5 to 8), reduced seal: from 0.059" to 0.196" (1.5 to 5)

Jam nut receptacle UTSX7

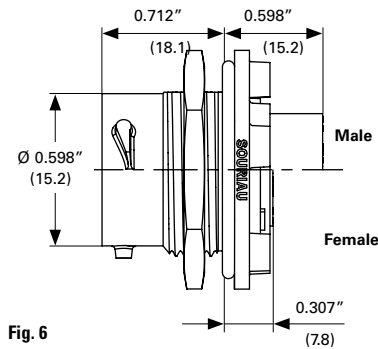


Fig. 6

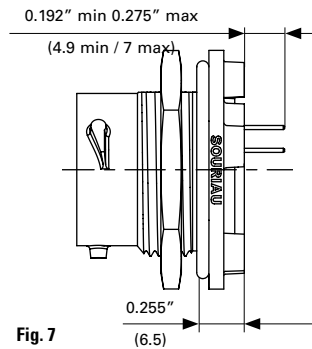
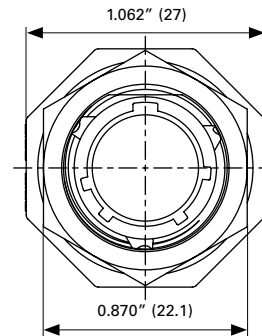
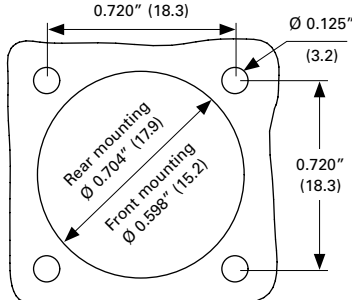


Fig. 7

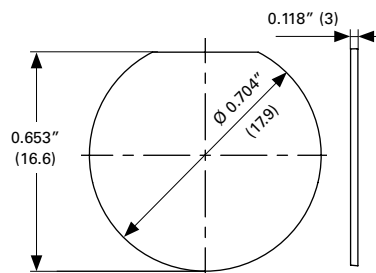


Panel cut out

Square flange receptacle - UTSX0



Jam nut receptacle - UTSX7



Dimensions in inches (millimeters)

Accessories

Jam nut and free hanging receptacle sealing caps



Description	Part number
IP68	UTS10DCG
IP68 - Metal terminal	UTS10DCGR

Plug sealing cap



Description	Part number
IP68	UTX610DCG

Plastic protective cap



Part number receptacle cap	Part number plug cap
85005586A	85005595

Gasket



Part number
UTFD12B

Color coding rings



Description	Part number receptacles	Part number plugs
G for Green	UTS710CCRG	UTS610CCRG
Y for Yellow	UTS710CCRY	UTS610CCRY
R for Red	UTS710CCRR	UTS610CCRR

Square flange sealing cap



Description	Part number
IP68 - Metal terminal	UTS10DCGE

Souriau UTSX series

103W3 (Shell size 10, 3x#20, 3x16)

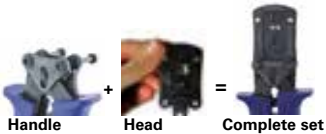
Tooling

Tooling



Description	Part number
Handle (without head)	Shandles
Box containing handle and several crimp tooling	Toolkit

Crimp tooling (without Shandles)



Contact size	Contacts	Part number of head
Standard contacts #16 Ø 0.062" (1.6)	RM/RC 28M1K ⁽¹⁾	S16RCM20*
	RM/RC 24M9K ⁽¹⁾	S16RCM20*
	RM/RC 20M13K ⁽¹⁾	S16RCM20*
	RM/RC 20M12K ⁽¹⁾	S16RCM20*
	RM/RC 16M23K ⁽¹⁾	S16RCM16*
	RM/RC 14M30K ⁽¹⁾	S16RCM14*
	SM/SC 24ML1TK6 ⁽¹⁾	S16SCM20*
	SM/SC 20ML1TK6 ⁽¹⁾	S16SCM20*
	SM/SC 16ML1TK6 ⁽¹⁾	S16SCML1*
	SM/SC 14ML1TK6 ⁽¹⁾	S16SCML1*
Standard contacts #20 Ø 0.039" (1.0)	SM/SC 16ML11TK6 ⁽¹⁾	S16SCML11*
	RM/RC 24W3K ⁽¹⁾	S20RCM*
	RM/RC 20W3K ⁽¹⁾	S20RCM*
	RM/RC 18W3K ⁽¹⁾	S20RCM*
	SM/SC 24WL3 ⁽¹⁾⁽²⁾	S20SCM20*
SM/SC 20WL3 ⁽¹⁾⁽²⁾	S20SCM20*	

(1) Example of plating, for other plating options see **Page 198**

(2) Loose contact

* Heads to be used with handle PN: SHANDLES

#16, #12 and #8 machined contacts



Description	Part number
Crimp tool	M20S-1J
Die casts and stop bushings	See Page 210

Extraction tool #16

Fig. 1



Fig. 2



Description	Part number
Fig. 1	RX2025GE1
Fig. 2 - Long endurance tool	RX2031J

Contacts #16

Contact style	Contact type	Cable acceptance		Part number		Wire Ø max		Insulator Ø max		
		AWG	inch ²	mm ²	Male	Female	inch	mm	inch	mm
Crimp contacts	Machined	30-28	0.002"-0.003"	0.05-0.08	RM28M1K ⁽¹⁾	RC28M1K ⁽¹⁾	0.021"	0.55	0.039"	1.00
		26-24	0.005"-0.009"	0.13-0.25	RM24M9K ⁽¹⁾	RC24M9K ⁽¹⁾	0.031"	0.80	0.062"	1.58
		22-20	0.012"-0.020"	0.32-0.52	RM20M13K ⁽¹⁾	RC20M13K ⁽¹⁾	0.045"	1.15	0.070"	1.80
		22-20	0.012"-0.020"	0.32-0.52	RM20M12K ⁽¹⁾	RC20M12K ⁽¹⁾	0.045"	1.15	0.086"	2.20
		20-16	0.020"-0.059"	0.52-1.48	RM16M23K ⁽¹⁾	RC16M23K ⁽¹⁾	0.070"	1.80	0.125"	3.20
		16-14	0.059"-0.098"	1.48-2.48	RM14M30K ⁽¹⁾	RC14M30K ⁽¹⁾	0.090"	2.30	0.125"	3.20
	Stamped and formed reeled contacts See note ⁽²⁾ for loose piece	26-24	0.005"-0.009"	0.13-0.25	SM24M1TK6 ⁽¹⁾⁽²⁾	SC24M1TK6 ⁽¹⁾⁽²⁾	–	–	0.035"-0.062"	0.90-1.58
		22-20	0.012"-0.020"	0.32-0.52	SM20M1TK6 ⁽¹⁾⁽²⁾	SC20M1TK6 ⁽¹⁾⁽²⁾	–	–	0.047"-0.082"	1.20-2.10
		18-16	0.031"-0.059"	0.80-1.48	SM16M1TK6 ⁽¹⁾⁽²⁾	SC16M1TK6 ⁽¹⁾⁽²⁾	–	–	0.125"	3.20
		18-16	0.031"-0.059"	0.80-1.48	SM16M11TK6 ⁽¹⁾⁽²⁾	SC16M11TK6 ⁽¹⁾⁽²⁾	–	–	0.118"	3.00
	14	0.098"	2.48	SM14M1TK6 ⁽¹⁾⁽²⁾	SC14M1TK6 ⁽¹⁾⁽²⁾	–	–	0.125"	3.20	
PCB	Machined ⁽³⁾	–			RM20M12E83K ⁽¹⁾	RC20M12E84K ⁽¹⁾	–	–	–	–
Coaxial	Cable multipiece	see Page 202			RMDXK10D28	RCDXK1D28	–	–	–	–
	Cable monocrimp	see Page 202			RMDX60xxD28	RCDX60xxD28	–	–	–	–
	Twisted pair multipiece	see Page 202			RMDXK10D28 + yorx090	RCDXK1D28 + yorx090	–	–	–	–
	Twisted pair monocrimp	see Page 202			RMDX60xxD28	RCDX60xxD28	–	–	–	–
Fiber optic	POF contacts (Plastic optical fiber)	–			RMPOF1000	RCPOF1000B	–	–	–	–

(1) Example of plating, for other plating see Page 198

(2) Loose piece contact available by adding "L" after the "M" for the contact size and the plating. Example: SM20M1TK6 becomes SM20ML1TK6

(3) for dimensions see Page 205

Contacts #20

Contact style	Contact type	Cable acceptance		Part number		Wire Ø max		Insulator Ø max		
		AWG	inch ²	mm ²	Male	Female	inch	mm	inch	mm
Crimp contacts	Machined	26-24	0.005"-0.009"	0.13-0.25	RM24W3K	RC24W3K	0.031"	0.80	0.062"	1.58
		22-20	0.012"-0.020"	0.32-0.52	RM20W3K	RC20W3K	0.045"	1.15	0.070"	1.80
		20-18	0.020"-0.031"	0.52-0.80	RM18W3K	RC18W3K	0.051"	1.30	0.082"	2.10
	Stamped and formed reeled contacts See note ⁽¹⁾ for loose piece	26-24	0.005"-0.009"	0.13-0.25	SM24W3TK6 ⁽¹⁾	SC24W3TK6 ⁽¹⁾	–	–	0.035"-0.062"	0.90-1.60
		26-24	0.005"-0.009"	0.13-0.25	SM24W3S26 ⁽¹⁾	SC24W3S25 ⁽¹⁾	–	–	0.035"-0.062"	0.90-1.60
		22-20	0.012"-0.020"	0.32-0.52	SM20W3TK6 ⁽¹⁾	SC20W3TK6 ⁽¹⁾	–	–	0.047"-0.082"	1.20-2.10
		22-20	0.012"-0.020"	0.32-0.52	SM20W3S26 ⁽¹⁾	SC20W3S25 ⁽¹⁾	–	–	0.047"-0.082"	1.20-2.10

(1) Loose piece contact available by adding "L" after the "M" for the contact size and the plating. Example: SM20W3TK6 becomes SM20WL3TK6

Souriau UTSX series

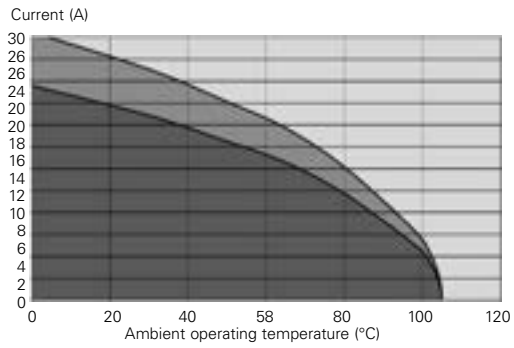
103W3 (Shell size 10, 3x#20, 3x16)

Electrical characteristics

UL	CSA	IEC
13A 500V with AWG 16*	7A 500V with AWG 16*	5A 32V 1.5kV 3 temperture elevation: 50°C
7.5A 250V with AWG20*	2.5A 250V with AWwG20*	

*qualification pending

UTSX 103W3 derating curves



- Current use
- Limited use
- Not recommended use

Test conditions

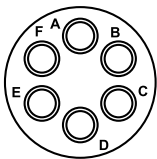
Contact used: machined contacts
Wires used: 16 AWG

Derating curves based on continuous current application.



Connector part number

UTSX 106



6 contacts 4.5A/250V
per UL 1977 with
AWG20 wire

10E6/10D6 6

contacts 6A/250V
per UL 1977 with
AWG20 wire

Contact type	Connector type	Backshell	Part number Male insert	Female insert
Crimp contacts supplied separately see Page 73	Square flange receptacle	Without (Fig. 1)	UTSX0106P	UTSX0106S
		Cable gland (Fig. 2)	UTSX0JC106P	UTSX0JC106S
	Free hanging receptacle	Cable gland (Fig. 3)	UTSX1JC106P	UTSX1JC106S
	Plug	Without (Fig. 4)	UTSX6106P	UTSX6106S
		Cable gland (Fig. 5)	UTSX6JC106P	UTSX6JC106S
	Jam nut receptacle	Without (Fig. 6)	UTSX7106P	UTSX7106S
PCB contacts supplied separately see Page 73	Jam nut receptacle	Without (Fig. 7)	UTSX7106P	UTSX7106S
Handsolder electrical contacts loaded	Square flange receptacle	Without (Fig. 1)	UTSX010E6P	UTSX010E6S
		Plug	Without (Fig. 4)	UTSX610E6P
	Jam nut receptacle	Cable gland (Fig. 5)	UTSX6JC10E6P	UTSX6JC10E6S
		Without (Fig. 6)	UTSX710E6P	UTSX710E6S
PCB contacts supplied separately see Page 73	Jam nut receptacle	Without (Fig.7)	UTSX710E6P	UTSX710E6S
PCB contacts loaded see Page 73	Square flange receptacle	Without (Fig.1)	UTSX010D6P	UTSX010D6S
		Jam nut receptacle with stand off and without hold down clip	Without (Fig.8)	UTSX710D6P
	Jam nut receptacle with stand off and with hold down clips	Without (Fig.8)	UTSX710D6P32	UTSX710D6S32

For discrimination/keying methods see **Page 223**

Sealed unmatd

Overmolded cable assembly part numbers

Please contact us directly for overmolded cable assemblies.

Souriau UTSX series

106 - 10E6/10D6 (Shell size 10, 6x#20)

Dimensions (For mated connector lengths see Page 215)

Square flange receptacle - UTSX0 and UTSX0JC

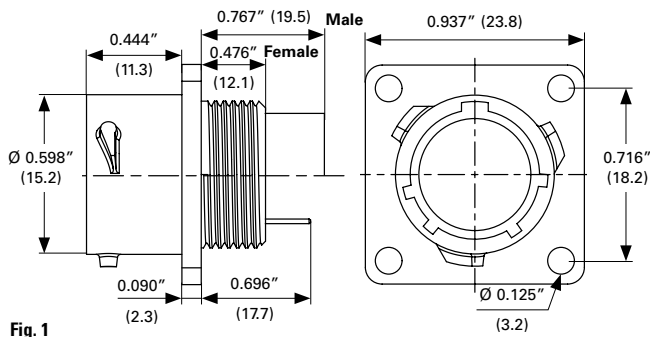


Fig. 1

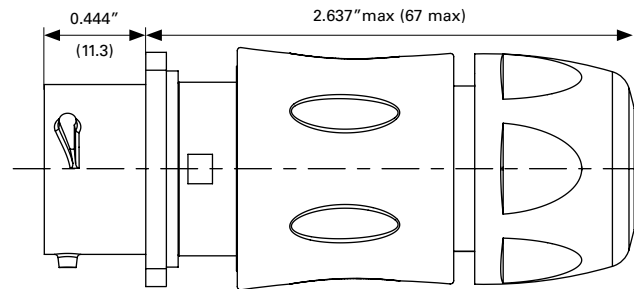


Fig. 2

Cable diameter acceptance: standard seal: from 0.098" to 0.314" (2.5 to 8), reduced seal: from 0.059" to 0.196" (1.5 to 5)

Free hanging - UTSX1JC

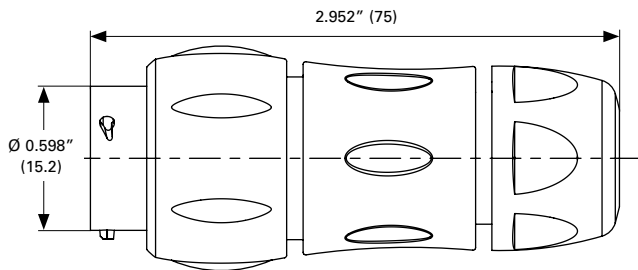


Fig. 3

Cable diameter acceptance: standard seal: from 0.098" to 0.314" (2.5 to 8), reduced seal: from 0.059" to 0.196" (1.5 to 5)

Plug - UTSX6 and UTSX6JC

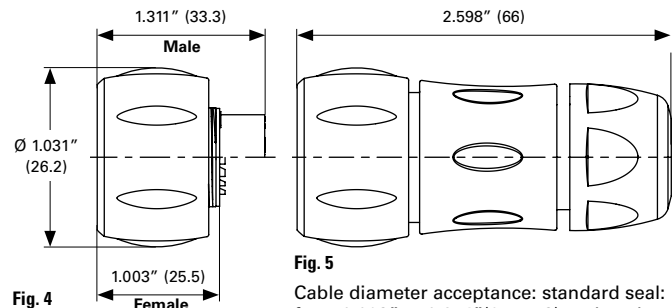


Fig. 4

Fig. 5

Cable diameter acceptance: standard seal: from 0.098" to 0.314" (2.5 to 8), reduced seal: from 0.059" to 0.196" (1.5 to 5)

Jam nut receptacle UTSX7

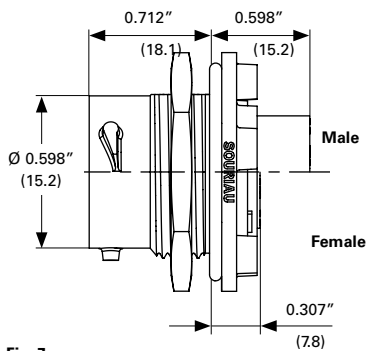


Fig. 7

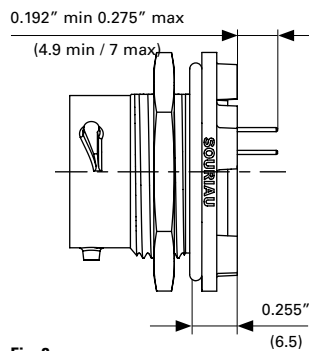


Fig. 8

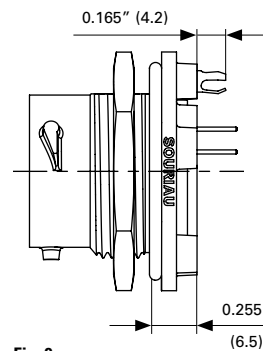
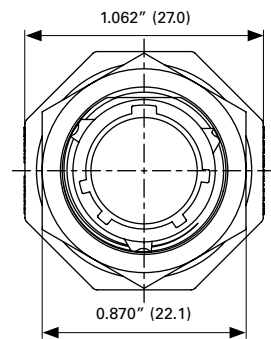
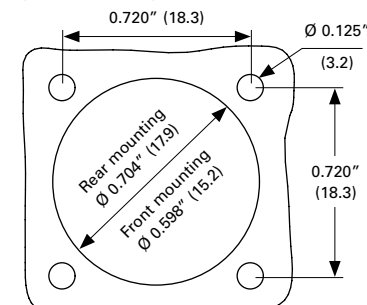


Fig. 9

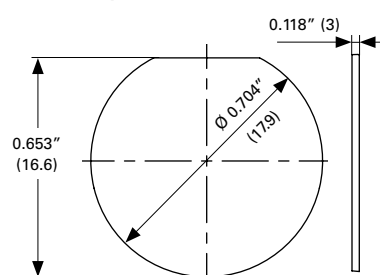


Panel cut out

Square flange receptacle - UTSX0



Jam nut receptacle - UTSX7



Dimensions in inches (millimeters)

Accessories

Jam nut and free hanging receptacle sealing caps



Description	Part number
IP68	UTS10DCG
IP68 - Metal terminal	UTS10DCGR

Square flange sealing cap



Description	Part number
IP68 - Metal terminal	UTS10DCGE

Plug sealing cap



Description	Part number
IP68	UTX610DCG

Plastic protective cap



Part number receptacle cap	Part number plug cap
85005586A	85005595

Gasket



Part number
UTFD12B

Color coding rings



Description	Part number receptacles	Part number plugs
G for Green	UTS710CCRG	UTS610CCRG
Y for Yellow	UTS710CCRY	UTS610CCRY
R for Red	UTS710CCRR	UTS610CCRR

Souriau UTSX series

106 - 10E6/10D6 (Shell size 10, 6x#20)

Tooling

Tooling



Description	Part number
Handle (without head)	Shandles
Box containing handle and several crimp tooling	Toolkit

Crimp tooling (without Shandles)



Contact size	Contacts	Part number of Head
Standard contacts #20 Ø 0.039" (1.0)	RM/RC 24W3K⁽¹⁾	S20RCM*
	RM/RC 20W3K⁽¹⁾	S20RCM*
	RM/RC 18W3K⁽¹⁾	S20RCM*
	SM/SC 24WL3⁽¹⁾⁽²⁾	S20SCM20*
	SM/SC 20WL3⁽¹⁾⁽²⁾	S20SCM20*

(1) Example of plating, for other plating options see **Page 198**

(2) Loose contact

* Heads to be used with handle PN: SHANDLES



Extraction tool #20



Description	Part number
Contacts #20 Ø 0.039" (1.0)	RX20D44

Contacts #20

Contact style	Contact type	Cable acceptance		Part number	Wire Ø max		Insulator Ø max			
		AWG	inch ²		mm ²	Male	Female	inch	mm	
Crimp contacts	Machined	26-24	0.005"-0.009"	0.13-0.25	RM24W3K	RC24W3K	0.031"	0.80	0.062"	1.58
		22-20	0.012"-0.020"	0.32-0.52	RM20W3K	RC20W3K	0.045"	1.15	0.070"	1.80
		20-18	0.020"-0.031"	0.52-0.80	RM18W3K	RC18W3K	0.051"	1.30	0.082"	2.10
	Stamped and formed reeled contacts See note ⁽¹⁾ for loose piece	26-24	0.005"-0.009"	0.13-0.25	SM24W3TK6⁽²⁾	SC24W3TK6⁽¹⁾	–	–	0.035"-0.062"	0.90-1.60
		26-24	0.005"-0.009"	0.13-0.25	SM24W3S26⁽²⁾	SC24W3S25⁽¹⁾	–	–	0.035"-0.062"	0.90-1.60
		22-20	0.012"-0.020"	0.32-0.52	SM20W3TK6⁽²⁾	SC20W3TK6⁽¹⁾	–	–	0.047"-0.082"	1.20-2.10
22-20	0.012"-0.020"	0.32-0.52	SM20W3S26⁽²⁾	SC20W3S25⁽¹⁾	–	–	0.047"-0.082"	1.20-2.10		

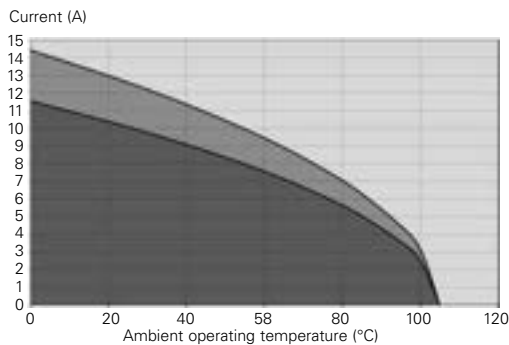
(1) Loose piece contact available by adding "L" after the "M" for the contact size and the plating. Example: SM20W3TK6 becomes SM20WL3TK6

Contact style	Contact type	Plating	Cable acceptance (AWG)	Wire stripping length	
				inch	mm
Handsoldier	Loaded in the connector	Min 0.4µ gold over 0.8µ Ni	20 to 18	0.149"	3.8

Electrical characteristics

UL	CSA	IEC
UTSX 106 4.5A 250V with AWG20 wire	3A 250V with AWG20 wire	7A 32V 1.5kV 3
UTSX 10E6/10D6 6A 250V with AWG20 wire	6A 250V with AWG20 wire	7A 32V 1.5kV 3

UTSX 106 - 10E6/10D6 derating curves



- Current use
- Limited use
- Not recommended use

Test conditions

Contact used: machined contacts
Wires used: 20 AWG

Derating curves based on continuous current application.

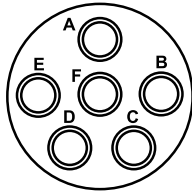
Souriau UTSX series

10E98/10D98 (Shell size 10, 6x#20)



Connector part number

UTSX 10E98/10D98



6 contacts 6A/250V
per UL 1977 with
AWG20 wire

Contact type	Connector type	Backshell	Part number Male insert	Female insert
Hand solder electrical contacts loaded see Page 77	Square flange receptacle	Without (Fig. 1)	UTSX010E98P	UTSX010E98S
	Plug	Without (Fig. 5)	UTSX610E98P	UTSX610E98S
	Plug	Cable gland (Fig. 3)	UTSX6JC10E98P	UTSX6JC10E98S
	Jam nut receptacle	Without (Fig. 4)	UTSX710E98P	UTSX710E98S
PCB contacts loaded see Page 77	Square flange receptacle	Without (Fig. 2)	UTSX010D98P	UTSX010D98S
	Jam nut receptacle with stand off and without hold down clip	Without (Fig. 5)	UTSX710D98P	UTSX710D98S
	Jam nut receptacle with stand off and with hold down clips	Without (Fig. 6)	UTSX710D98P32	UTSX710D98S32

For discrimination/keying methods see **Page 223**

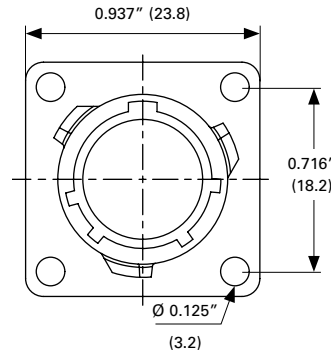
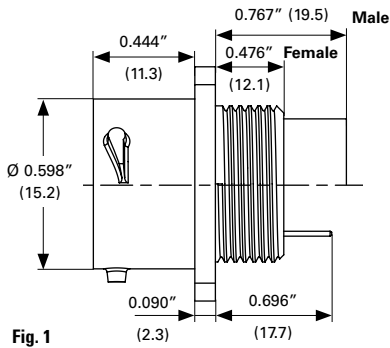
Sealed unmated

Overmolded cable assembly part numbers

Please contact us directly for overmolded cable assemblies.

Dimensions (For mated connector lengths see Page 215)

Square flange receptacle - UTSX0



Plug - UTSX6 and UTSX6JC

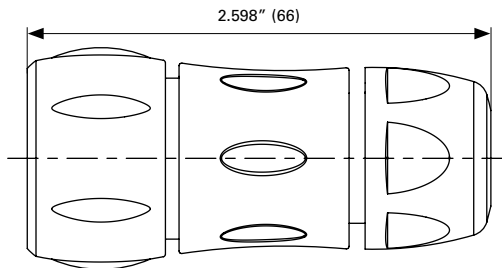
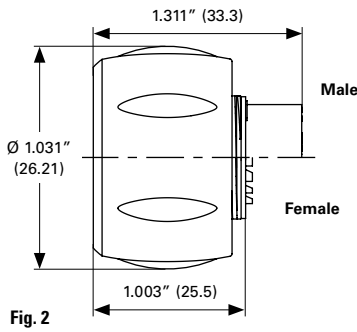
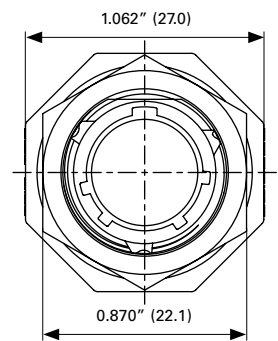
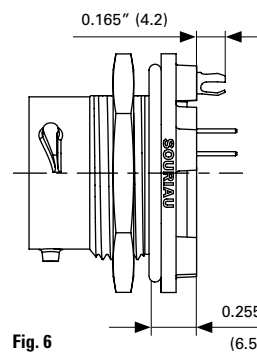
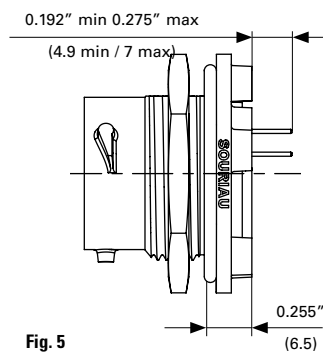
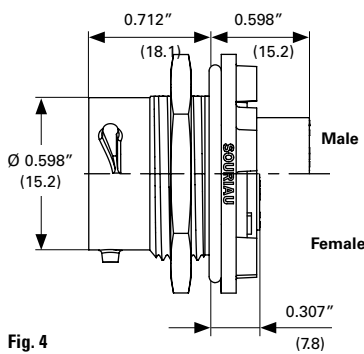


Fig. 3

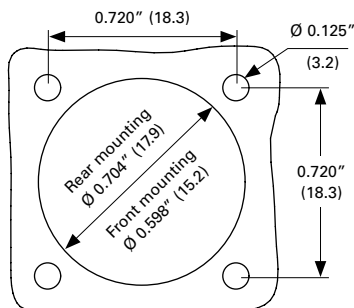
Cable diameter acceptance: standard seal: from 0.098" to 0.314" (2.5 to 8),
reduced seal: from 0.059" to 0.196" (1.5 to 5)

Jam nut receptacle UTSX7

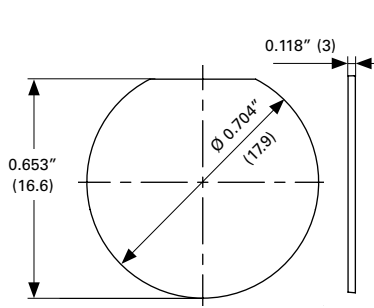


Panel cut out

Square flange receptacle - UTSX0



Jam nut receptacle - UTSX7



Dimensions in inches (millimeters)

Souriau UTSX series

10E98/10D98 (Shell size 10, 6x#20)

Accessories

Jam nut and free hanging receptacle sealing caps



Description	Part number
IP68	UTS10DCG
IP68 - Metal terminal	UTS10DCGR

Square flange sealing cap



Description	Part number
IP68 - Metal terminal	UTS10DCGE

Plug sealing cap



Description	Part number
IP68	UTX610DCG

Plastic protective cap



Part number receptacle cap	Part number plug cap
85005586A	85005595

Gasket



Part number
UTFD12B

Color coding rings



Description	Part number receptacles	Part number plugs
G for Green	UTS710CCRG	UTS610CCRG
Y for Yellow	UTS710CCRY	UTS610CCRY
R for Red	UTS710CCRR	UTS610CCRR

Contacts #20

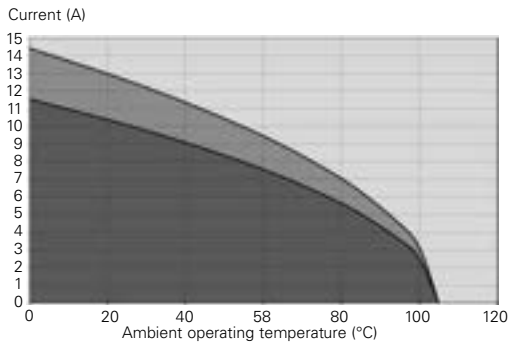
Contact style	Contact type	Plating	Cable acceptance (AWG)	Wire stripping length	
				inch	mm
Hand solder	Loaded in the connector	Min 0.4μ gold over 0.8μ Ni	20 to 18	0.149"	3.8

Electrical characteristics

UL	CSA	IEC
6A 250V with AWG20 wire	6A 250V with AWG20 wire	7A 50V 1.5kV 3

Electrical information according to the IEC 61984, with pollution degree IV and overvoltage category III.

UTSX 10E98/10D98 derating curves



- Current use
- Limited use
- Not recommended use

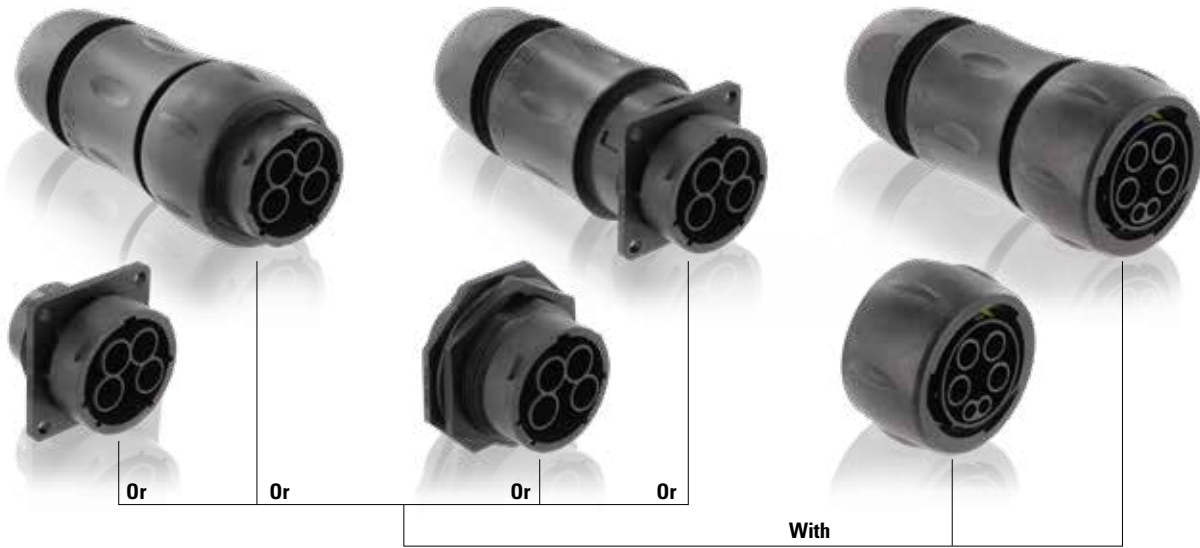
Test conditions

Contact used: machined contacts
Wires used: 20 AWG

Derating curves based on continuous current application.

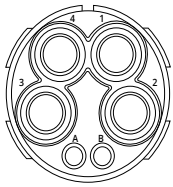
Souriau UTSX series

186 (Shell size 18, 4x#8, 2x#16)



Connector part number

UTSX 186



6 contacts
46A/600V per UL 1977
with AWG8 wire

Contact type	Connector type	Backshell	Part number Male insert	Female insert
Crimp contacts supplied separately see Page 82	Square flange receptacle	Without (Fig. 1)	UTSX0186P	UTSX0186S
	Square flange receptacle	Cable gland (Fig. 2)	UTSX0JC186P	UTSX0JC186S
	Free hanging receptacle	Cable gland (Fig. 3)	UTSX1JC186P	UTSX1JC186S
	Plug	Without (Fig. 4)	UTSX6186P	UTSX6186S
	Plug	Cable gland (Fig. 5)	UTSX6JC186P	UTSX6JC186S
	Jam nut receptacle	Without (Fig. 6)	UTSX7186P	UTSX7186S
	Jam nut receptacle with stand off and with hold down clips	Without (Fig. 8)	UTSX7186P32	UTSX7186S32
	PCB contacts supplied separately see Page 82	Square flange receptacle	Without (Fig. 1)	UTSX0186P
Jam nut receptacle		Without (Fig. 7)	UTSX7186P	UTSX7186S

For discrimination/keying methods see **Page 223**

Overmolded cable assembly part numbers

Please contact us directly for overmolded cable assemblies.

Dimensions (For mated connector lengths see Page 215)

Square flange receptacle - UTSX0 and UTSX0JC

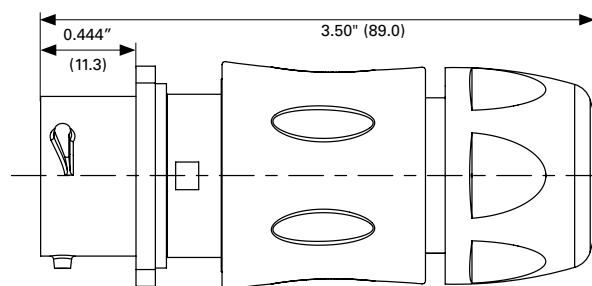
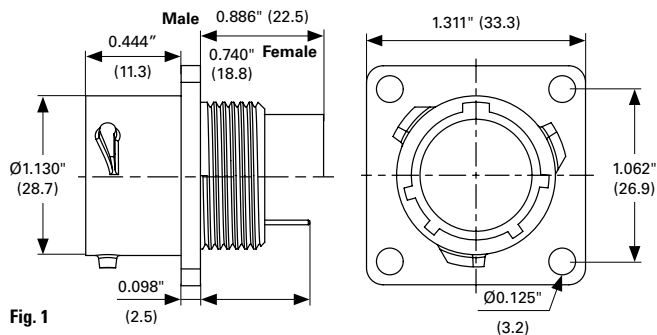


Fig. 2
Cable diameter acceptance: standard seal: from 0.512" to 0.709" (13 to 18), reduced seal: from 0.433" to 0.590" (11 to 15).

Free hanging - UTSX1JC and UTSXGJC

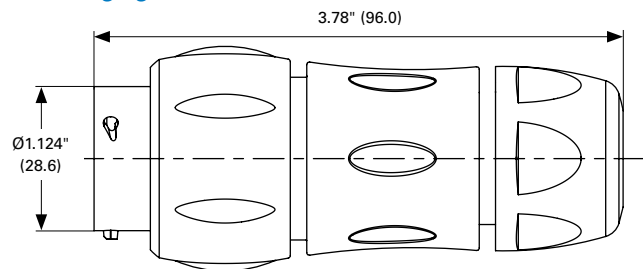


Fig. 3
Cable diameter acceptance: standard seal: from 0.512" to 0.709" (13 to 18), reduced seal: from 0.433" to 0.590" (11 to 15).

Plug - UTSX6 and UTSX6JC

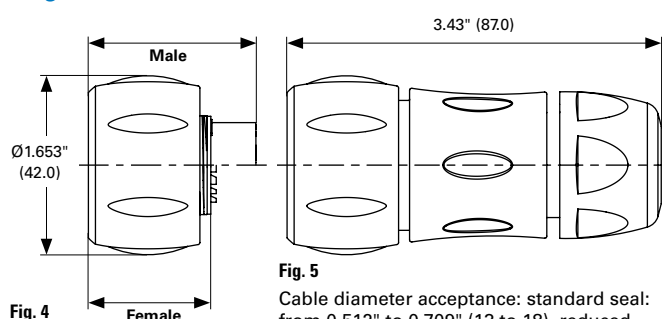


Fig. 5
Cable diameter acceptance: standard seal: from 0.512" to 0.709" (13 to 18), reduced seal: from 0.433" to 0.590" (11 to 15).

Jam nut receptacle UTSX7

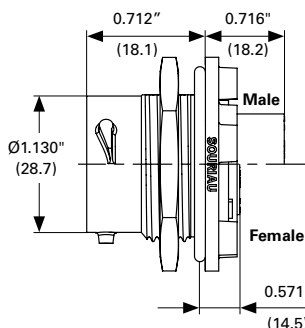


Fig. 6

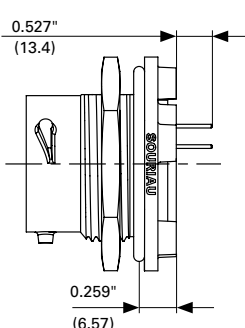


Fig. 7

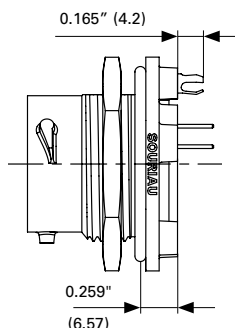
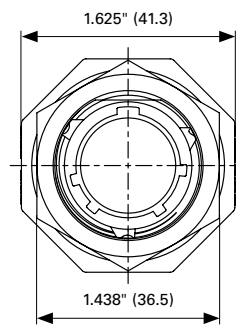
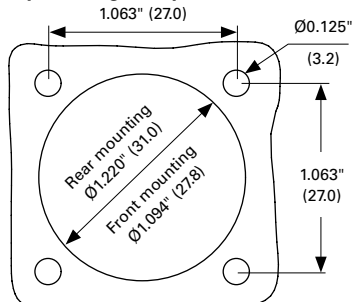


Fig. 8

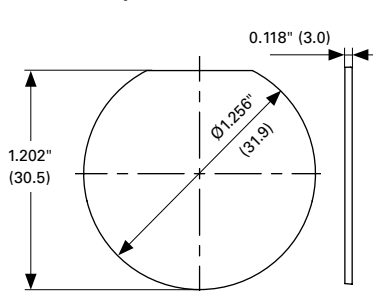


Panel cut out

Square flange receptacle - UTSX0



Jam nut receptacle - UTSX7



Dimensions in inches (millimeters)

Souriau UTSX series

186 (Shell size 18, 4x#8, 2x#16)

Accessories

Jam nut and free hanging receptacle sealing caps



Description	Part number
IP68	UTS18DCG
IP68 - Metal terminal	UTS18DCGR

Square flange sealing cap



Description	Part number
IP68 - Metal terminal	UTS18DCGE

Plug sealing cap



Description	Part number
IP68	UTS618DCG

Plastic protective cap



Part number receptacle cap	Part number plug cap
85005590A	85005599

Gasket



Part number
UTFD16B

Color coding rings



Description	Part number receptacles	Part number plugs
G for Green	UTS718CCRG	UTS618CCRG
Y for Yellow	UTS718CCRY	UTS618CCRY
R for Red	UTS718CCRR	UTS618CCRR

Tooling

Tooling



Crimp tooling (without Shandles)



Description	Part number
Handle (without head)	Shandles
Box containing handle and several crimp tooling	Toolkit

Contact size	Contacts	Part number of Head
Standard contacts #16 Ø 0.062" (1.6)	RM/RC 28M1K ⁽¹⁾	S16RCM20*
	RM/RC 24M9K ⁽¹⁾	S16RCM20*
	RM/RC 20M13K ⁽¹⁾	S16RCM20*
	RM/RC 20M12K ⁽¹⁾	S16RCM20*
	RM/RC 16M23K ⁽¹⁾	S16RCM16*
	RM/RC 14M30K ⁽¹⁾	S16RCM14*
	SM/SC 24ML1TK6 ⁽¹⁾	S16SCM20*
	SM/SC 20ML1TK6 ⁽¹⁾	S16SCM20*
	SM/SC 16ML1TK6 ⁽¹⁾	S16SCML1*
	SM/SC 14ML1TK6 ⁽¹⁾	S16SCML1*
	SM/SC 16ML11TK6 ⁽¹⁾	S16SCML11*

(1) Example of plating, for other plating options see **Page 198**
* Heads to be used with handle PN: SHANDLES

#16, #12 and #8 machined contacts



Description	Part number
Crimp tool	M20S-1J
Die casts and stop bushings	See Page 210

Extraction tool #16



Description	Part number
Fig. 1	RX2025GE1
Fig. 2 - Long endurance tool	RX2031J

#8 Machine contacts



Contact size	Part number
Shandle only	M317

Positioner + Locator setting #8



Contact size	Part number
For crimp contacts #8 Ø 0.141" (3.6)	VGE10078A

Extraction tool #8



Description	Part number
For crimp contacts #8 Ø 0.141" (3.6)	51060210936

Souriau UTSX series

186 (Shell size 18, 4x#8, 2x#16)

Contacts #8

Contact style	Contact type	Cable acceptance		Part number	Wire Ø max		Insulator Ø max			
		AWG	inch ²		mm ²	Male	Female	mm	inch	
Crimp contacts	Machined	16	0.059"	1.48	82913601A ⁽¹⁾	82913600A ⁽¹⁾	0.067"	1.72	0.255"	6.5
Crimp contacts	Machined	14	0.098"	2.48	82913603A ⁽¹⁾	82913602A ⁽¹⁾	0.087"	2.20	0.255"	6.5
Crimp contacts	Machined	12	0.157"	4.00	82913605A ⁽¹⁾	82913604A ⁽¹⁾	0.111"	2.82	0.255"	6.5
Crimp contacts	Machined	10	0.236"	6.00	82913607A ⁽¹⁾	82913606A ⁽¹⁾	0.137"	3.48	0.255"	6.5
Crimp contacts	Machined	8	0.393"	10.00	82913609A ⁽¹⁾	82913608A ⁽¹⁾	0.171"	4.35	0.255"	6.5
PCB	Machined ⁽²⁾	–	–	–	82911685NPC ⁽¹⁾	82911684NPC ⁽¹⁾	–	–	–	–

(1) Example of plating, for other plating see **Page 198**

(2) For dimensions see **Page 205**

Contacts #16

Contact style	Contact type	Cable acceptance		Part number	Wire Ø max		Insulator Ø max			
		AWG	inch ²		mm ²	Male	Female	inch	mm	
Crimp contacts	Machined	30-28	0.002"-0.003"	0.05-0.08	RM28M1K ⁽¹⁾	RC28M1K ⁽¹⁾	0.021"	0.55	0.039"	1.00
		26-24	0.005"-0.009"	0.13-0.25	RM24M9K ⁽¹⁾	RC24M9K ⁽¹⁾	0.031"	0.80	0.062"	1.58
		22-20	0.012"-0.020"	0.32-0.52	RM20M13K ⁽¹⁾	RC20M13K ⁽¹⁾	0.045"	1.15	0.070"	1.80
		22-20	0.012"-0.020"	0.32-0.52	RM20M12K ⁽¹⁾	RC20M12K ⁽¹⁾	0.045"	1.15	0.086"	2.20
		20-16	0.020"-0.059"	0.52-1.48	RM16M23K ⁽¹⁾	RC16M23K ⁽¹⁾	0.070"	1.80	0.125"	3.20
		16-14	0.059"-0.098"	1.48-2.48	RM14M30K ⁽¹⁾	RC14M30K ⁽¹⁾	0.090"	2.30	0.125"	3.20
	Stamped and formed reeled contacts See note ⁽²⁾ for loose piece	26-24	0.005"-0.009"	0.13-0.25	SM24M1TK6 ⁽¹⁾⁽²⁾	SC24M1TK6 ⁽¹⁾⁽²⁾	–	–	0.035"-0.062"	0.90-1.58
		22-20	0.012"-0.020"	0.32-0.52	SM20M1TK6 ⁽¹⁾⁽²⁾	SC20M1TK6 ⁽¹⁾⁽²⁾	–	–	0.047"-0.082"	1.20-2.10
		18-16	0.031"-0.059"	0.80-1.48	SM16M1TK6 ⁽¹⁾⁽²⁾	SC16M1TK6 ⁽¹⁾⁽²⁾	–	–	0.125"	3.20
		18-16	0.031"-0.059"	0.80-1.48	SM16M11TK6 ⁽¹⁾⁽²⁾	SC16M11TK6 ⁽¹⁾⁽²⁾	–	–	0.118"	3.00
PCB	Machined ⁽³⁾	–	–	–	RM20M12E83K ⁽¹⁾	RC20M12E84K ⁽¹⁾	–	–	–	–
		Coaxial	Cable multipiece	see Page 202	RMDXK10D28	RCDXK1D28	–	–	–	–
Coaxial	Cable monocrimp	see Page 202	RMDX60xxD28	RCDX60xxD28	–	–	–	–	–	
	Twisted pair multipiece	see Page 202	RMDXK10D28 + yorx090	RCDXK1D28 + yorx090	–	–	–	–	–	
	Twisted pair monocrimp	see Page 202	RMDX60xxD28	RCDX60xxD28	–	–	–	–	–	
Fiber optic	POF contacts (Plastic optical fiber)	–	–	–	RMPOF1000	RCPOF1000B	–	–	–	–
Hand solder	Loaded in the connector	14-18	0.098"-0.031"	2.48-0.80	–	–	–	–	–	–

(1) Example of plating, for other plating see **Page 198**

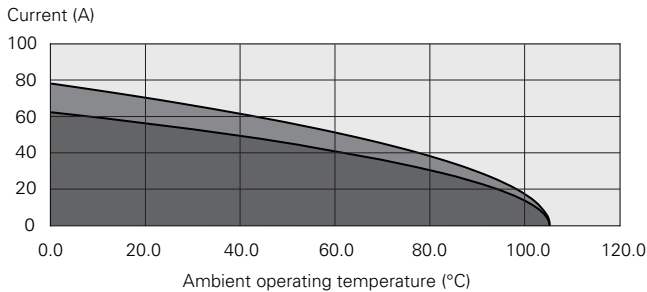
(2) Loose piece contact available by adding "L" after the "M" for the contact size and the plating. Example: SM20M1TK6 becomes SM20ML1TK6

(3) For dimensions see **Page 205**

Electrical characteristics

UL	CSA	IEC
UTSX 186 46A 600V with AWG8	40A 600V with AWG8	46A 320V 4kV 3

UTSX 186 derating curves



- Current use
- Limited use
- Not recommended use

Test conditions

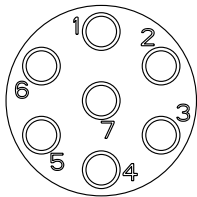
Contact used: machined contacts
Wires used: 8 AWG

Derating curves based on continuous current application.



Connector part number

UTSX 147



6 contacts + ground
10A/500V per UL 1977
with AWG16 wire

14E7/14D7

6 contacts + ground
12A/600V per UL 1977
with AWG16 wire

Contact type	Connector type	Backshell	Part number Male insert	Female insert
Crimp contacts supplied separately see Page 87	Square flange receptacle	Without (Fig. 1)	UTSX0147P	UTSX0147S
	Square flange receptacle	Cable gland (Fig. 2)	UTSX0JC147P	UTSX0JC147S
	Free hanging receptacle	Cable gland (Fig. 3)	UTSX1JC147P	UTSX1JC147S
	Free hanging receptacle	Cable gland and grommet (Fig. 3)	UTSX1GJC147P	–
	Plug	Without (Fig. 4)	UTSX6147P	UTSX6147S
	Plug	Cable gland (Fig. 5)	UTSX6JC147P	UTSX6JC147S
	Plug	Cable gland and grommet (Fig. 5)	–	UTSX6GJC147S
	Jam nut receptacle	Without (Fig. 6)	UTSX7147P	UTSX7147S
	Jam nut receptacle	Cable gland and grommet (Fig. 10)	UTSX7GJC147P	–
Screw contacts loaded	Free hanging receptacle	Cable gland (Fig. 3)	UTSX1JC147PSCR	–
	Plug	Cable gland (Fig. 5)	UTSX6JC147PSCR	UTSX6JC147SSCR
	Jam nut receptacle	Without (Fig. 9)	UTSX7147PSCR	UTSX7147SSCR
PCB contacts supplied separately see Page 87	Jam nut receptacle	Without (Fig. 1)	UTSX7147PSEK9	–
Handsold electrical contacts loaded see Page 87	Square flange receptacle	Without (Fig. 1)	UTSX014E7P	UTSX014E7S
	Plug	Without (Fig. 4)	UTSX614E7P	UTSX614E7S
	Plug	Cable gland (Fig. 5)	UTSX6JC14E7P	UTSX6JC14E7S
	Jam nut receptacle	Without (Fig. 6)	UTSX714E7P	UTSX714E7S
PCB contacts loaded	Square flange receptacle	Without (Fig. 3)	UTSX014D7P	UTSX014D7S
	Jam nut receptacle with stand off and without hold down clip	Without (Fig.7)	UTSX714D7P	UTSX714D7S
	Jam nut receptacle with stand off and with hold down clips	Without (Fig. 8)	UTSX714D7P32	UTSX714D7S32

Sealed unmatred

Overmolded cable assembly part numbers

Please contact us directly for overmolded cable assemblies.

Souriau UTSX series

147 - 14E7/14D7 (Shell size 14, 6 + ground, 7x#16)

Dimensions (For mated connector lengths see Page 215)

Square flange receptacle - UTSX0 and UTSX0JC

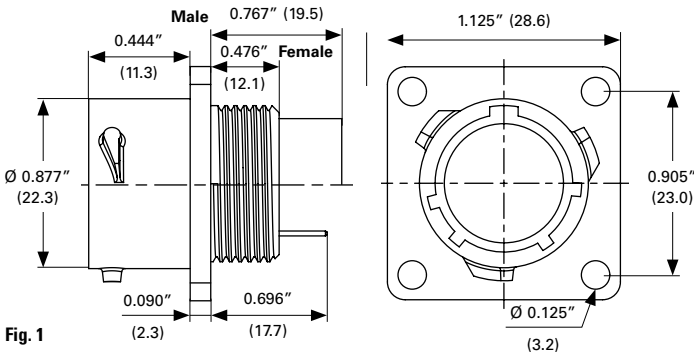


Fig. 1

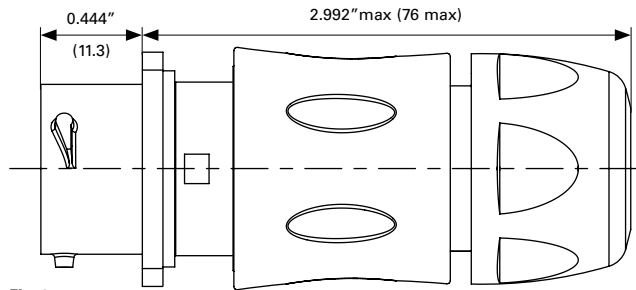


Fig. 2

Cable diameter acceptance: standard seal: from 0.275" to 0.551" (7 to 14), reduced seal: from 0.196" to 0.472" (5 to 12)

Free hanging - UTSX1JC and UTSXGJC

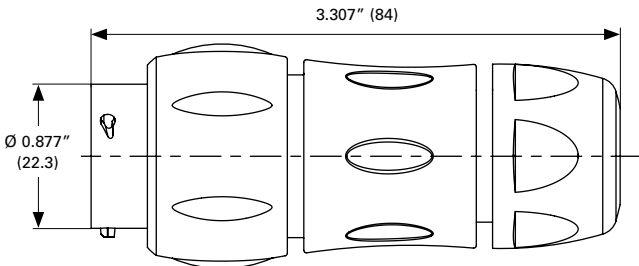


Fig. 3

Cable diameter acceptance: standard seal: from 0.275" to 0.551" (7 to 14), reduced seal: from 0.196" to 0.472" (5 to 12)

Plug - UTSX6, UTSX6JC and UTSX6GJC

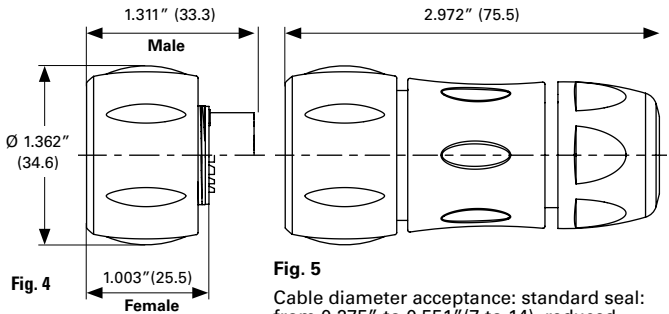


Fig. 4

Fig. 5

Cable diameter acceptance: standard seal: from 0.275" to 0.551" (7 to 14), reduced seal: from 0.196" to 0.472" (5 to 12)

Jam nut receptacle UTSX7

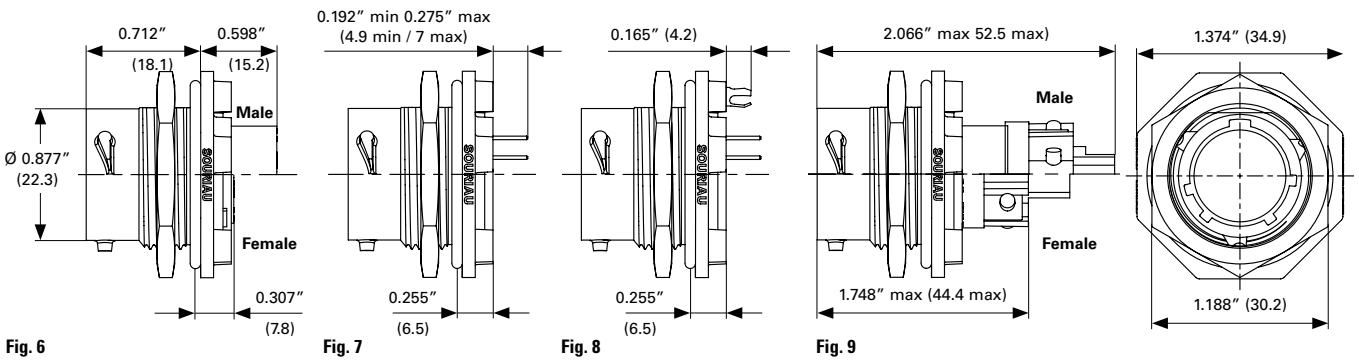


Fig. 6

Fig. 7

Fig. 8

Fig. 9

Jam nut receptacle UTSX7GJC

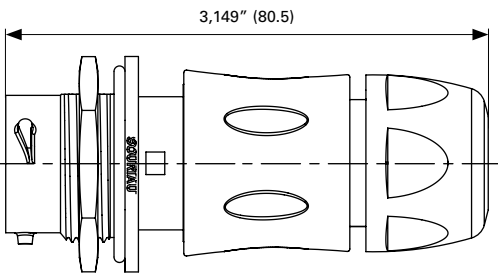
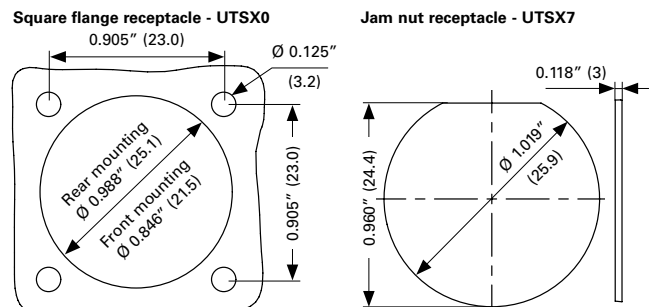


Fig. 10

Panel cut out



Dimensions in inches (millimeters)

Accessories

Jam nut and free hanging receptacle sealing caps



Description	Part number
IP68	UTS14DCG
IP68 - Metal terminal	UTS14DCGR

Square flange sealing cap



Description	Part number
IP68 - Metal terminal	UTS14DCGE

Plug sealing cap



Description	Part number
IP68	UTX614DCG

Plastic protective cap



Part number receptacle cap	Part number plug cap
85005588A	85005597

Gasket



Part number
UTFD14B

Color coding rings



Description	Part number receptacles	Part number plugs
G for Green	UTS714CCRG	UTS614CCRG
Y for Yellow	UTS714CCRY	UTS614CCRY
R for Red	UTS714CCRR	UTS614CCRR

Souriau UTSX series

147 - 14E7/14D7 (Shell size 14, 6 + ground, 7x#16)

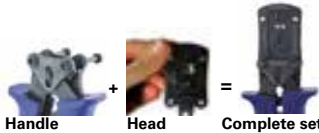
Tooling

Tooling



Description	Part number
Handle (without head)	Shandles
Box containing handle and several crimp tooling	Toolkit

Crimp tooling (without Shandles)



Contact size	Contacts	Part number of Head
Standard contacts #16 Ø 0.062" (1.6)	RM/RC 28M1K ⁽¹⁾	S16RCM20*
	RM/RC 24M9K ⁽¹⁾	S16RCM20*
	RM/RC 20M13K ⁽¹⁾	S16RCM20*
	RM/RC 20M12K ⁽¹⁾	S16RCM20*
	RM/RC 16M23K ⁽¹⁾	S16RCM16*
	RM/RC 14M30K ⁽¹⁾	S16RCM14*
	SM/SC 24ML1TK6 ⁽¹⁾	S16SCM20*
	SM/SC 20ML1TK6 ⁽¹⁾	S16SCM20*
	SM/SC 16ML1TK6 ⁽¹⁾	S16SCML1*
	SM/SC 14ML1TK6 ⁽¹⁾	S16SCML1*
	SM/SC 16ML11TK6 ⁽¹⁾	S16SCML11*

(1) Example of plating, for other plating options see Page 198
* Heads to be used with handle PN: SHANGLES

#16, #12 and #8 machined contacts



Description	Part number
Crimp tool	M20S-1J
Die casts and stop bushings	See Page 210

Extraction tool #16



Description	Part number
Fig. 1	RX2025GE1
Fig. 2 - Long endurance tool	RX2031J

Contacts #16

Contact style	Contact type	Cable acceptance		Part number	Wire Ø max		Insulator Ø max			
		AWG	inch ²		mm ²	inch	mm	inch	mm	
Crimp contacts	Machined	30-28	0.002"-0.003"	0.05-0.08	RM28M1K ⁽¹⁾	RC28M1K ⁽¹⁾	0.021"	0.55	0.039"	1.00
		26-24	0.005"-0.009"	0.13-0.25	RM24M9K ⁽¹⁾	RC24M9K ⁽¹⁾	0.031"	0.80	0.062"	1.58
		22-20	0.012"-0.020"	0.32-0.52	RM20M13K ⁽¹⁾	RC20M13K ⁽¹⁾	0.045"	1.15	0.070"	1.80
		22-20	0.012"-0.020"	0.32-0.52	RM20M12K ⁽¹⁾	RC20M12K ⁽¹⁾	0.045"	1.15	0.086"	2.20
		20-16	0.020"-0.059"	0.52-1.48	RM16M23K ⁽¹⁾	RC16M23K ⁽¹⁾	0.070"	1.80	0.125"	3.20
		16-14	0.059"-0.098"	1.48-2.48	RM14M30K ⁽¹⁾	RC14M30K ⁽¹⁾	0.090"	2.30	0.125"	3.20
	Stamped and formed reeled contacts See note ⁽²⁾ for loose piece	26-24	0.005"-0.009"	0.13-0.25	SM24M1TK6 ⁽¹⁾⁽²⁾	SC24M1TK6 ⁽¹⁾⁽²⁾	-	-	0.035"-0.062"	0.90-1.58
		22-20	0.012"-0.020"	0.32-0.52	SM20M1TK6 ⁽¹⁾⁽²⁾	SC20M1TK6 ⁽¹⁾⁽²⁾	-	-	0.047"-0.082"	1.20-2.10
		18-16	0.031"-0.059"	0.80-1.48	SM16M1TK6 ⁽¹⁾⁽²⁾	SC16M1TK6 ⁽¹⁾⁽²⁾	-	-	0.125"	3.20
		18-16	0.031"-0.059"	0.80-1.48	SM16M11TK6 ⁽¹⁾⁽²⁾	SC16M11TK6 ⁽¹⁾⁽²⁾	-	-	0.118"	3.00
	14	0.098"	2.48	SM14M1TK6 ⁽¹⁾⁽²⁾	SC14M1TK6 ⁽¹⁾⁽²⁾	-	-	0.125"	3.20	
PCB	Machined ⁽³⁾	-			RM20M12E83K ⁽¹⁾	RC20M12E84K ⁽¹⁾	-	-	-	-
Coaxial	Cable multipiece	see Page 202			RMDXK10D28	RCDXK1D28	-	-	-	-
	Cable monocrimp	see Page 202			RMDX60xxD28	RCDX60xxD28	-	-	-	-
	Twisted pair multipiece	see Page 202			RMDXK10D28 + yorx090	RCDXK1D28 + yorx090	-	-	-	-
	Twisted pair monocrimp	see Page 202			RMDX60xxD28	RCDX60xxD28	-	-	-	-
Fiber optic	POF contacts (Plastic optical fiber)	-			RMPDF1000	RCPOF1000B	-	-	-	-
Handsold	Loaded in the connector	14-18	0.098"-0.031"	2.48-0.80	-	-	-	-	-	-

(1) Example of plating, for other plating see Page 198

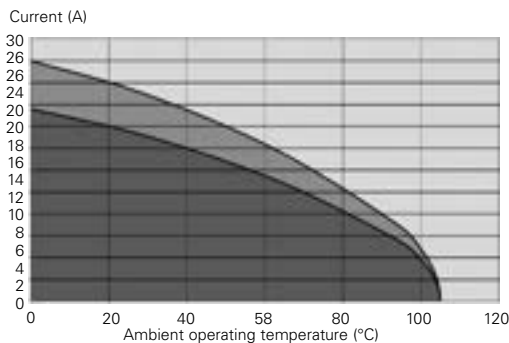
(2) Loose piece contact available by adding "L" after the "M" for the contact size and the plating. Example: SM20M1TK6 becomes SM20ML1TK6

(3) For dimensions see Page 205

Electrical characteristics

UL	CSA	IEC
UTSX 147 10A 500V with AWG16 wire	7A 500V with AWG16 wire	7A 150V 1.5kV 3
UTSX 14E7/14D7 12A 600V with AWG16 wire	12A 600V with AWG16 wire	7A 150V 1.5kV 3

UTSX 147 - 14E7/14D7 derating curves



- Current use
- Limited use
- Not recommended use

Test conditions

Contact used: machined contacts
Wires used: 16 AWG

Derating curves based on continuous current application.

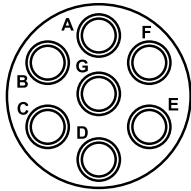
Souriau UTSX series

10E7/10D7 (Shell size 10, 7x#20)



Connector part number

UTSX 10E7/10D7



7 contacts 6A/250V
per UL 1977
with AWG20 wire

Contact type	Connector type	Backshell	Part number Male insert	Female insert
Hand solder electrical contacts loaded see Page 91	Square flange receptacle	Without (Fig. 1)	UTSX010E7P	UTSX010E7S
	Plug	Without (Fig. 5)	UTSX610E7P	UTSX610E7S
	Plug	Cable gland (Fig. 3)	UTSX6JC10E7P	UTSX6JC10E7S
	Jam nut receptacle	Without (Fig. 4)	UTSX710E7P	UTSX710E7S
PCB contacts loaded see Page 91	Square flange receptacle	Without (Fig. 2)	UTSX010D7P	UTSX010D7S
	Jam nut receptacle with stand off and without hold down clip	Without (Fig. 5)	UTSX710D7P	UTSX710D7S
	Jam nut receptacle with stand off and with hold down clips	Without (Fig. 6)	UTSX710D7P32	UTSX710D7S32

For discrimination/keying methods see **Page 223**

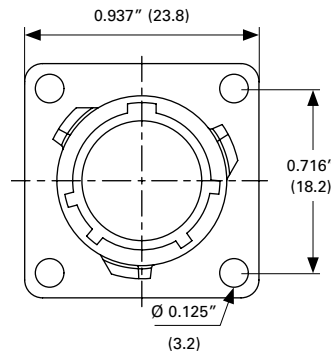
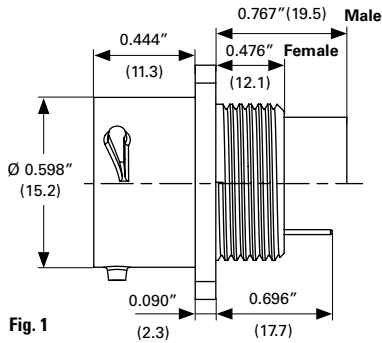
Sealed unmated

Overmolded cable assembly part numbers

Please contact us directly for overmolded cable assemblies.

Dimensions (For mated connector lengths see Page 215)

Square flange receptacle - UTSX0



Plug - UTSX6 and UTSX6JC

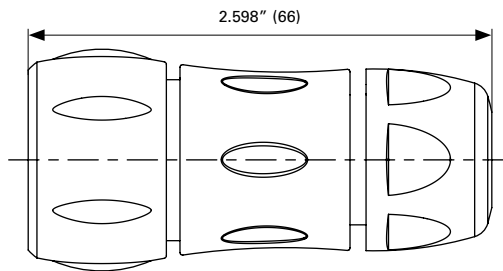
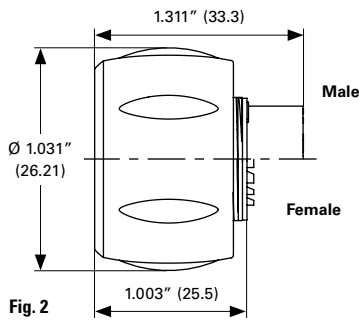
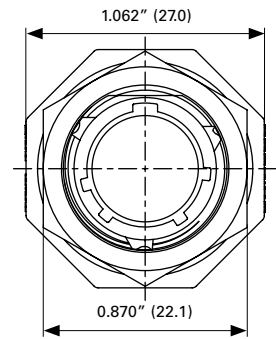
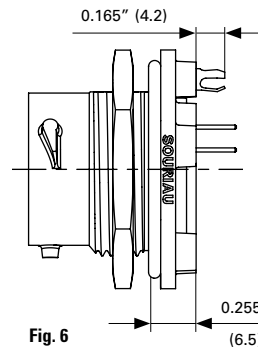
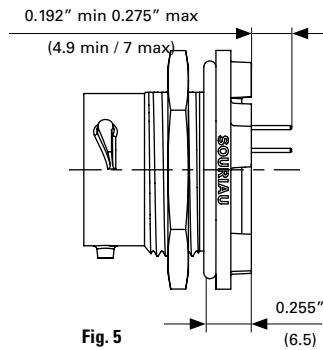
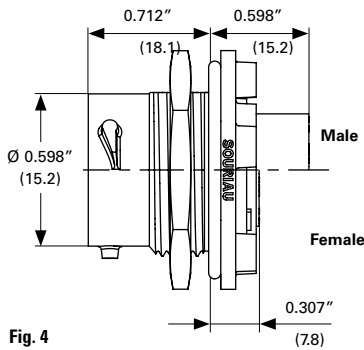


Fig. 3

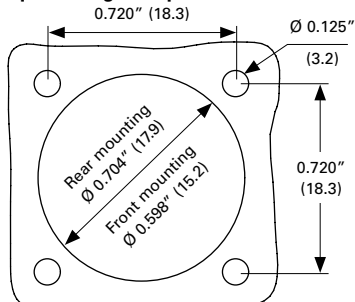
Cable diameter acceptance: standard seal: from 0.098" to 0.314" (2.5 to 8), reduced seal: from 0.059" to 0.196" (1.5 to 5)

Jam nut receptacle UTSX7

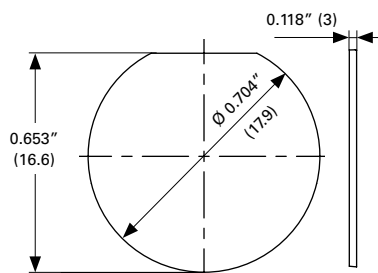


Panel cut out

Square flange receptacle - UTSX0



Jam nut receptacle - UTSX7



Dimensions in inches (millimeters)

Souriau UTSX series

10E7/10D7 (Shell size 10, 7x#20)

Accessories

Jam nut and free hanging receptacle sealing caps



Description	Part number
IP68	UTS10DCG
IP68 - Metal terminal	UTS10DCGR

Square flange sealing cap



Description	Part number
IP68 - Metal terminal	UTS10DCGE

Plug sealing cap



Description	Part number
IP68	UTX610DCG

Plastic protective cap



Part number receptacle cap	Part number plug cap
85005586A	85005595

Gasket



Part number
UTFD12B

Color coding rings



Description	Part number receptacles	Part number plugs
G for Green	UTS710CCRG	UTS610CCRG
Y for Yellow	UTS710CCRY	UTS610CCRY
R for Red	UTS710CCRR	UTS610CCRR

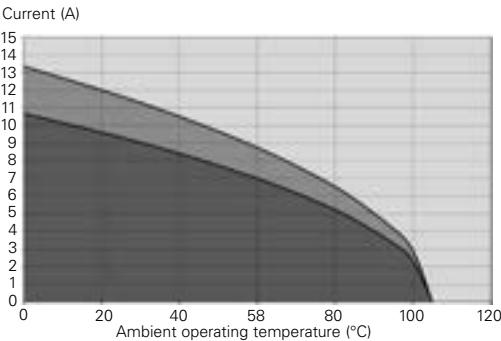
Contacts #20

Contact style	Contact type	Plating	Cable acceptance (AWG)	Wire stripping length	
				inch	mm
Handsoldier	Loaded in the connector	Min 0.4µ gold over 0.8µ Ni	20 to 18	0.149"	3.8

Electrical characteristics

UL	CSA	IEC
6A 250V with AWG20 wire	6A 250V with AWG20 wire	7A 50V 1.5kV 3

UTSX 10E7/10D7 derating curves



- Current use
- Limited use
- Not recommended use

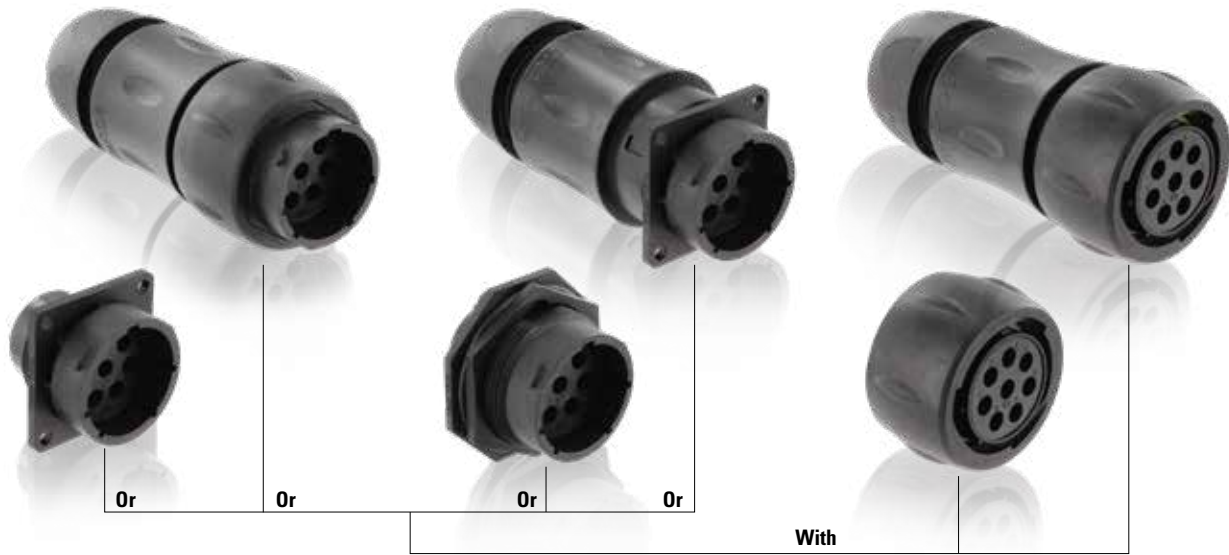
Test conditions

Contact used: machined contacts
Wires used: 20 AWG

Derating curves based on continuous current application.

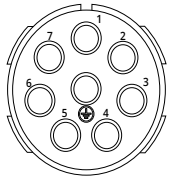
Souriau UTSX series

187G1 (Shell size 18, 7 + ground, 8 x #12)



Connector part number

UTSX 187G1



7 contacts + ground
23A/600V per UL 1977
with AWG12 wire

Contact type	Connector type	Backshell	Part number Male insert	Female insert
Crimp contacts supplied separately see Page 95	Square flange receptacle	Without (Fig. 1)	UTSX0187G1P	UTSX0187G1S
	Square flange receptacle	Cable gland (Fig. 2)	UTSX0JC187G1P	UTSX0JC187G1S
	Free hanging receptacle	Cable gland (Fig. 3)	UTSX1JC187G1P	UTSX1JC187G1S
	Plug	Without (Fig. 4)	UTSX6187G1P	UTSX6187G1S
	Plug	Cable gland (Fig. 5)	UTSX6JC187G1P	UTSX6JC187G1S
	Jam nut receptacle	Without (Fig. 6)	UTSX7187G1P	UTSX7187G1S
	Jam nut receptacle with stand off and with hold down clips	Without (Fig. 8)	UTSX7187G1P32	UTSX7187G1S32
	PCB contacts supplied separately see Page 95	Square flange receptacle	Without (Fig. 1)	UTSX0187G1P
Jam nut receptacle		Without (Fig. 7)	UTSX7187G1P	UTSX7187G1S

For discrimination/keying methods see **Page 223**

Overmolded cable assembly part numbers

Please contact us directly for overmolded cable assemblies.

Dimensions (For mated connector lengths see Page 215)

Square flange receptacle - UTSX0 and UTSX0JC

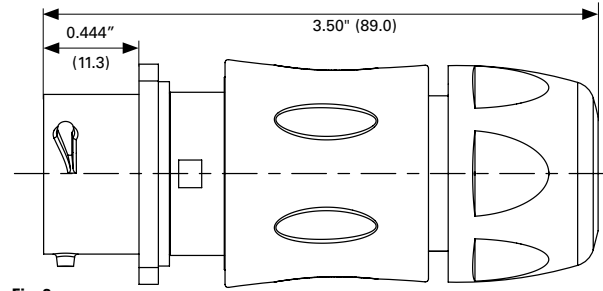
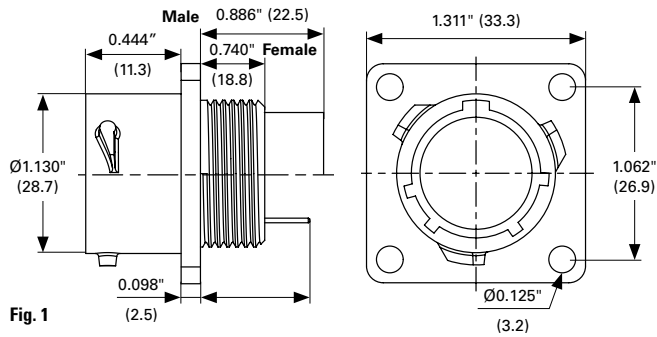


Fig. 2
Cable diameter acceptance: standard seal: from 0.512" to 0.709" (13 to 18), reduced seal: from 0.433" to 0.590" (11 to 15).

Free hanging - UTSX1JC and UTSXGJC

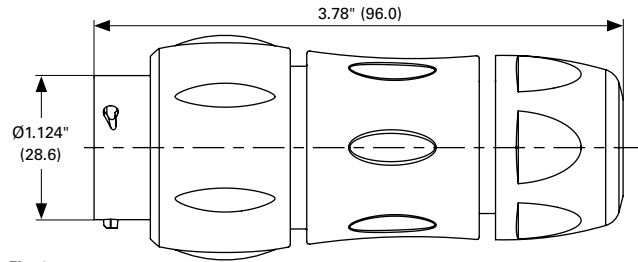


Fig. 3
Cable diameter acceptance: standard seal: from 0.512" to 0.709" (13 to 18), reduced seal: from 0.433" to 0.590" (11 to 15).

Plug - UTSX6 and UTSX6JC

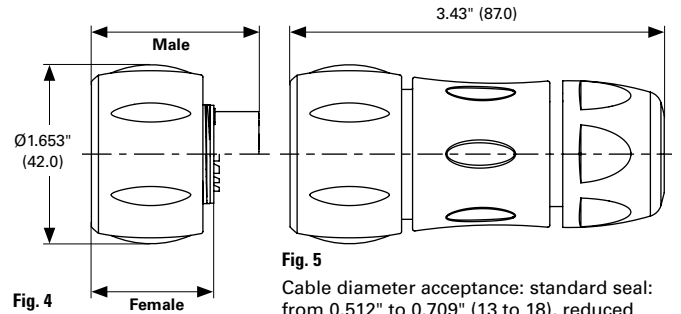


Fig. 5
Cable diameter acceptance: standard seal: from 0.512" to 0.709" (13 to 18), reduced seal: from 0.433" to 0.590" (11 to 15).

Jam nut receptacle UTSX7

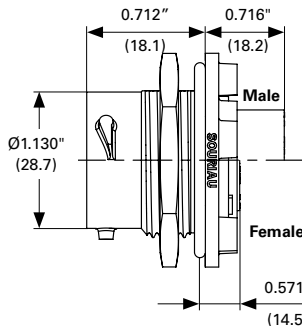


Fig. 6

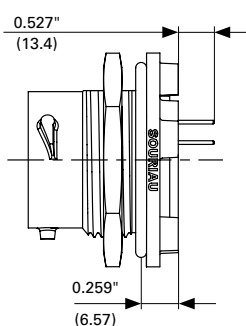


Fig. 7

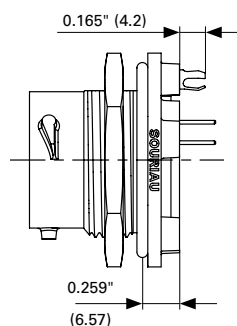
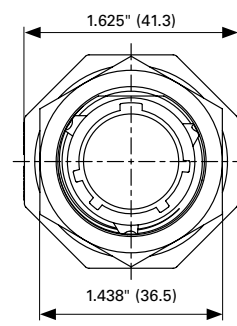
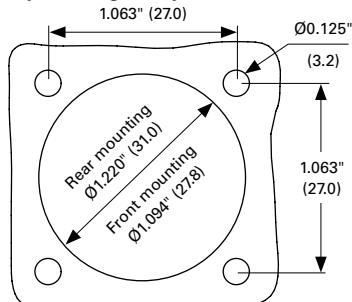


Fig. 8

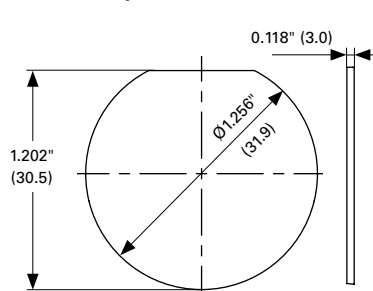


Panel cut out

Square flange receptacle - UTSX0



Jam nut receptacle - UTSX7



Dimensions in inches (millimeters)

Souriau UTSX series

187G1 (Shell size 18, 7 + ground, 8 x #12)

Accessories

Jam nut and free hanging receptacle sealing caps



Description	Part number
IP68	UTS18DCG
IP68 - Metal terminal	UTS18DCGR

Square flange sealing cap



Description	Part number
IP68 - Metal terminal	UTS18DCGE

Plug sealing cap



Description	Part number
IP68	UTS618DCG

Plastic protective cap



Part number receptacle cap	Part number plug cap
85005590A	85005599

Gasket



Part number
UTFD16B

Color coding rings



Description	Part number receptacles	Part number plugs
G for Green	UTS718CCRG	UTS618CCRG
Y for Yellow	UTS718CCRY	UTS618CCRY
R for Red	UTS718CCRR	UTS618CCRR

Tooling

Crimp tooling #12



Contact size	Part number hand tool	Part number positioner + locator setting
Standard contacts #12 Ø 0.094" (2.4)	M317	VGE10077A

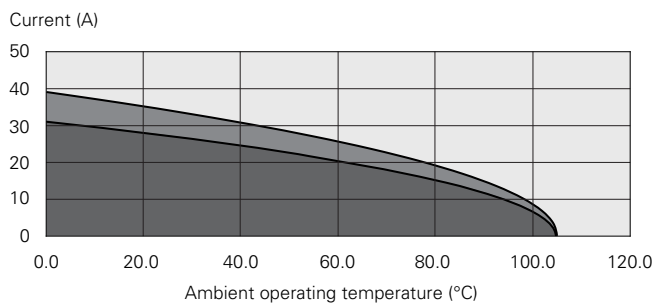
Contacts #12

Contact style	Contact type	Cable acceptance		Part number		Wire Ø max		Insulator Ø max		
		AWG	inch ²	mm ²	Male	Female	inch	mm	inch	mm
Crimp contacts	Machined	20	0.020"	0.52	82911457NA	82911456A	0.034"	0.87	0.192"	4.90
		20	0.020"	0.52	82911459NA	82911458A	0.044"	1.12	0.192"	4.90
		18	0.031"	0.80	82911461NA	82911460A	0.055"	1.42	0.192"	4.90
		16	0.059"	1.48	82911463NA	82911462A	0.067"	1.72	0.192"	4.90
		14	0.098"	2.48	82911465NA	82911464A	0.087"	2.20	0.192"	4.90
		12	0.157"	4.00	82911467NA	82911466A	0.111"	2.82	0.192"	4.90

Electrical characteristics

UL	CSA	IEC
UTSX 187G1 23A 600V with AWG12 wire	22A 600V with AWG12 wire	23A 250V 4kV3

UTSX 187G1 derating curves



- Current use
- Limited use
- Not recommended use

Test conditions

Contact used: machined contacts
Wires used: 12 AWG

Derating curves based on continuous current application.

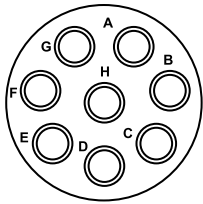
Souriau UTSX series

128 (Shell size 12, 8x16)



Connector part number

UTSX 128



6 contacts
10A/500V per
UL 1977 with
AWG16 wire

Contact type	Connector type	Backshell	Part number Male insert	Female insert
Crimp contacts supplied separately see Page 100	Square flange receptacle	Without (Fig. 1)	UTSX0128P	UTSX0128S
	Square flange receptacle	Cable gland (Fig. 2)	UTSX0JC128P	UTSX0JC128S
	Free hanging receptacle	Cable gland (Fig. 3)	UTSX1JC128P	UTSX1JC128S
	Free hanging receptacle	Cable gland and grommet (Fig. 3)	UTSX1GJC128P	–
	Plug	Without (Fig. 4)	UTSX6128P	UTSX6128S
	Plug	Cable gland (Fig. 5)	UTSX6JC128P	UTSX6JC128S
	Plug	Cable gland and grommet (Fig. 5)	–	UTSX6GJC128S
	Jam nut receptacle	Without (Fig. 6)	UTSX7128P	UTSX7128S
PCB contacts supplied separately see Page 100	Jam nut receptacle with stand off and without hold down clip	Without (Fig. 7)	UTSX7128P	UTSX7128S
	Jam nut receptacle with stand off and hold down clip	Without (Fig. 7)	UTSX7128PSEK9	–

Overmolded cable assembly part numbers

Please contact us directly for overmolded cable assemblies.

Dimensions (For mated connector lengths see Page 215)

Square flange receptacle - UTSX0 and UTSX0JC

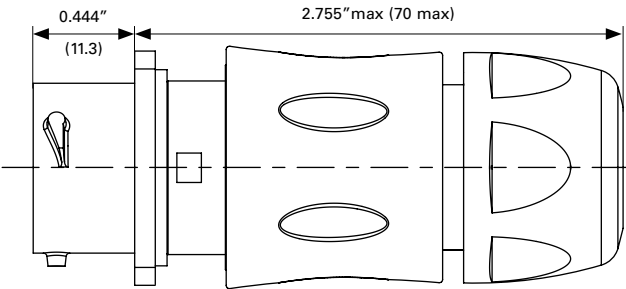
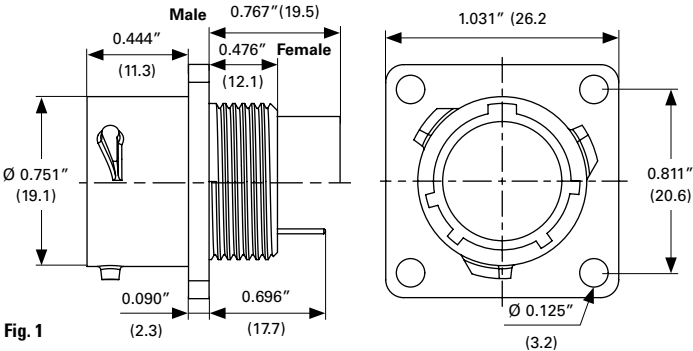


Fig. 2
Cable diameter acceptance: standard seal: from 0.098" to 0.472" (5 to 12), reduced seal: from 0.118" to 0.354" (3 to 9)

Free hanging - UTSX1JC and UTSX1GJC

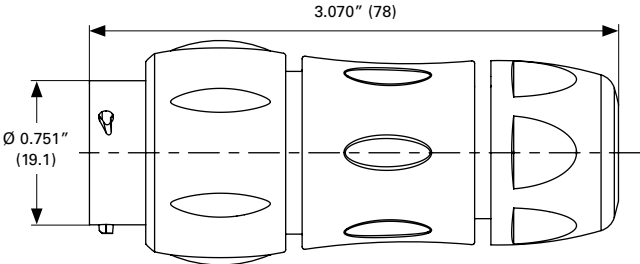


Fig. 3
Cable diameter acceptance: standard seal: from 0.098" to 0.472" (5 to 12), reduced seal: from 0.118" to 0.354" (3 to 9)

Plug - UTSX6, UTSX6JC and UTSX6GJC

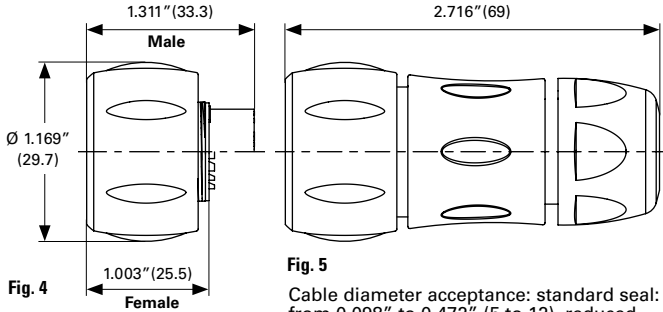
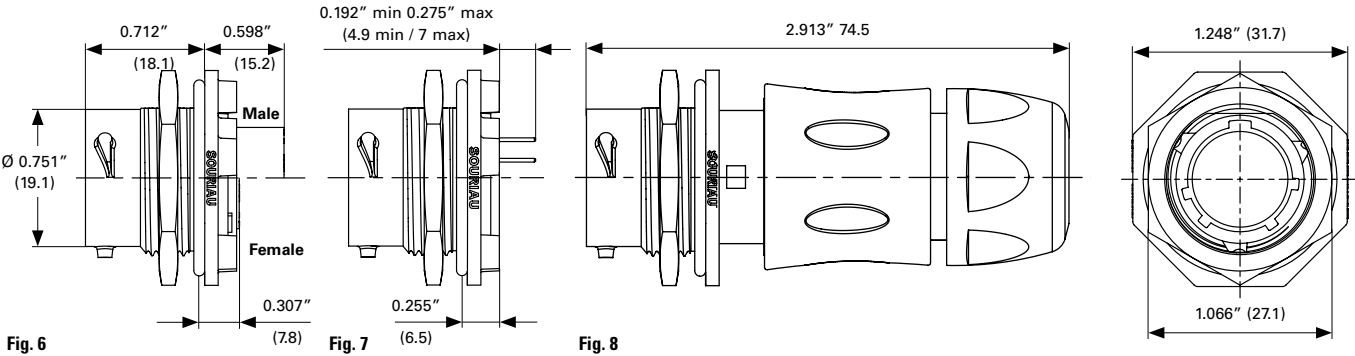


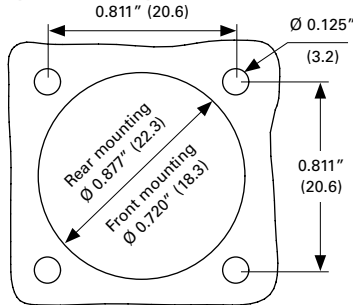
Fig. 5
Cable diameter acceptance: standard seal: from 0.098" to 0.472" (5 to 12), reduced seal: from 0.118" to 0.354" (3 to 9)

Jam nut receptacle UTSX7 and UTSX7GJC

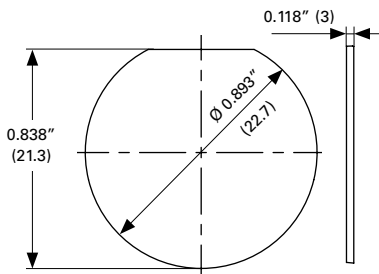


Panel cut out

Square flange receptacle - UTSX0



Jam nut receptacle - UTSX7



Dimensions in inches (millimeters)

Souriau UTSX series

128 (Shell size 12, 8x16)

Accessories

Jam nut and free hanging receptacle sealing caps



Description	Part number
IP68	UTS12DCG
IP68 - Metal terminal	UTS12DCGR

Plug sealing cap



Description	Part number
IP68	UTX612DCG

Plastic protective cap



Part number receptacle cap	Part number plug cap
85005587A	85005596

Gasket



Part number
UTFD13B

Color coding rings



Description	Part number receptacles	Part number plugs
G for Green	UTS712CCRG	UTS612CCRG
Y for Yellow	UTS712CCRY	UTS612CCRY
R for Red	UTS712CCRR	UTS612CCRR

Square flange sealing cap



Description	Part number
IP68 - Metal terminal	UTS12DCGE

Tooling

Tooling



Description	Part number
Handle (without head)	Shandles
Box containing handle and several crimp tooling	Toolkit

Crimp tooling (without Shandles)



Contact size	Contacts	Part number of Head
Standard contacts #16 Ø 0.062" (1.6)	RM/RC 28M1K ⁽¹⁾	S16RCM20*
	RM/RC 24M9K ⁽¹⁾	S16RCM20*
	RM/RC 20M13K ⁽¹⁾	S16RCM20*
	RM/RC 20M12K ⁽¹⁾	S16RCM20*
	RM/RC 16M23K ⁽¹⁾	S16RCM16*
	RM/RC 14M30K ⁽¹⁾	S16RCM14*
	SM/SC 24ML1TK6 ⁽¹⁾	S16SCM20*
	SM/SC 20ML1TK6 ⁽¹⁾	S16SCM20*
	SM/SC 16ML1TK6 ⁽¹⁾	S16SCML1*
	SM/SC 14ML1TK6 ⁽¹⁾	S16SCML1*
	SM/SC 16ML11TK6 ⁽¹⁾	S16SCML11*

(1) Example of plating, for other plating options see **Page 198**
* Heads to be used with handle PN: SHANGLES

#16, #12 and #8 machined contacts



Description	Part number
Crimp tool	M20S-1J
Die casts and stop bushings	See Page 210

Extraction tool #16



Description	Part number
Fig. 1	RX2025GE1
Fig. 2 - Long endurance tool	RX2031J

Souriau UTSX series

128 (Shell size 12, 8x16)

Contacts #16

Contact style	Contact type	Cable acceptance		Part number	Male	Female	Wire Ø max inch		Insulator Ø max	
		AWG	inch ² mm ²				mm	mm	inch	mm
Crimp contacts	Machined	30-28	0.002"-0.003" 0.05-0.08	RM28M1K⁽¹⁾	RC28M1K⁽¹⁾	0.021"	0.55	0.039"	1.00	
		26-24	0.005"-0.009" 0.13-0.25	RM24M9K⁽¹⁾	RC24M9K⁽¹⁾	0.031"	0.80	0.062"	1.58	
		22-20	0.012"-0.020" 0.32-0.52	RM20M13K⁽¹⁾	RC20M13K⁽¹⁾	0.045"	1.15	0.070"	1.80	
		22-20	0.012"-0.020" 0.32-0.52	RM20M12K⁽¹⁾	RC20M12K⁽¹⁾	0.045"	1.15	0.086"	2.20	
		20-16	0.020"-0.059" 0.52-1.48	RM16M23K⁽¹⁾	RC16M23K⁽¹⁾	0.070"	1.80	0.125"	3.20	
		16-14	0.059"-0.098" 1.48-2.48	RM14M30K⁽¹⁾	RC14M30K⁽¹⁾	0.090"	2.30	0.125"	3.20	
	Stamped and formed reeled contacts See note ⁽²⁾ for loose piece	26-24	0.005"-0.009" 0.13-0.25	SM24M1TK6⁽¹⁾⁽²⁾	SC24M1TK6⁽¹⁾⁽²⁾	-	-	0.035"-0.062"	0.90-1.58	
		22-20	0.012"-0.020" 0.32-0.52	SM20M1TK6⁽¹⁾⁽²⁾	SC20M1TK6⁽¹⁾⁽²⁾	-	-	0.047"-0.082"	1.20-2.10	
		18-16	0.031"-0.059" 0.80-1.48	SM16M1TK6⁽¹⁾⁽²⁾	SC16M1TK6⁽¹⁾⁽²⁾	-	-	0.125"	3.20	
		18-16	0.031"-0.059" 0.80-1.48	SM16M11TK6⁽¹⁾⁽²⁾	SC16M11TK6⁽¹⁾⁽²⁾	-	-	0.118"	3.00	
	14	0.098"	2.48	SM14M1TK6⁽¹⁾⁽²⁾	SC14M1TK6⁽¹⁾⁽²⁾	-	-	0.125"	3.20	
PCB	Machined ⁽³⁾	-	-	RM20M12E83K⁽¹⁾	RC20M12E84K⁽¹⁾	-	-	-	-	
Coaxial	Cable multipiece	see Page 202	-	RMDXK10D28	RCDXK1D28	-	-	-	-	
	Cable monocrimp	see Page 202	-	RMDX60xxD28	RCDX60xxD28	-	-	-	-	
	Twisted pair multipiece	see Page 202	-	RMDXK10D28 + yorx090	RCDXK1D28 + yorx090	-	-	-	-	
	Twisted pair monocrimp	see Page 202	-	RMDX60xxD28	RCDX60xxD28	-	-	-	-	
Fiber optic	POF contacts (Plastic optical fiber)	-	-	RMPOF1000	RCPOF1000B	-	-	-	-	
Handsold	Loaded in the connector	14-18	0.098"-0.031" 2.48-0.80	-	-	-	-	-	-	

(1) Example of plating, for other plating see Page 198

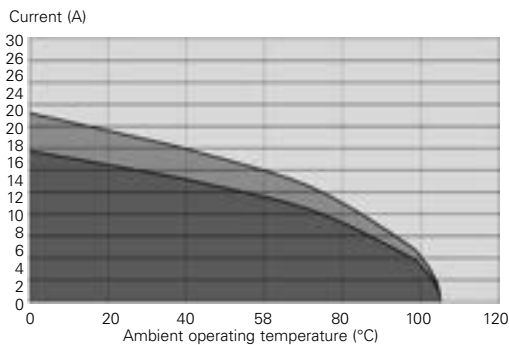
(2) Loose piece contact available by adding "L" after the "M" for the contact size and the plating. Example: SM20M1TK6 becomes SM20ML1TK6

(3) For dimensions see Page 205

Electrical characteristics

UL	CSA	IEC
10A 500V with AWG16 wire	7A 500V with AWG16 wire	10A 80V 1.5kV 3

UTSX 128 derating curves



- Current use
- Limited use
- Not recommended use

Test conditions

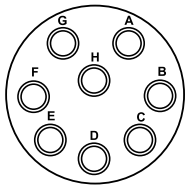
Contact used: machined contacts
Wires used: 16 AWG

Derating curves based on continuous current application.



Connector part number

UTSX 12E8/12D8



8 contacts
4.5A/250V per
UL 1977 with
AWG20 wire

Contact type	Connector type	Backshell	Part number Male insert	Female insert
Hand solder electrical contacts loaded see Page 104	Square flange receptacle	Without (Fig. 1)	UTSX012E8P	UTSX012E8S
	Plug	Without (Fig. 2)	UTSX612E8P	UTSX612E8S
	Plug	Cable gland (Fig. 3)	UTSX6JC12E8P	UTSX6JC12E8S
	Jam nut receptacle	Without (Fig. 4)	UTSX712E8P	UTSX712E8S
PCB contacts loaded see Page 104	Square flange receptacle	Without (Fig. 1)	UTSX012D8P	UTSX012D8S
	Jam nut receptacle with stand off and without hold down clip	Without (Fig. 5)	UTSX712D8P	UTSX712D8S
	Jam nut receptacle with stand off and with hold down clips	Without (Fig. 6)	UTSX712D8P32	UTSX712D8S32

For discrimination/keying methods see **Page 223**

Sealed unmated

Overmolded cable assembly part numbers

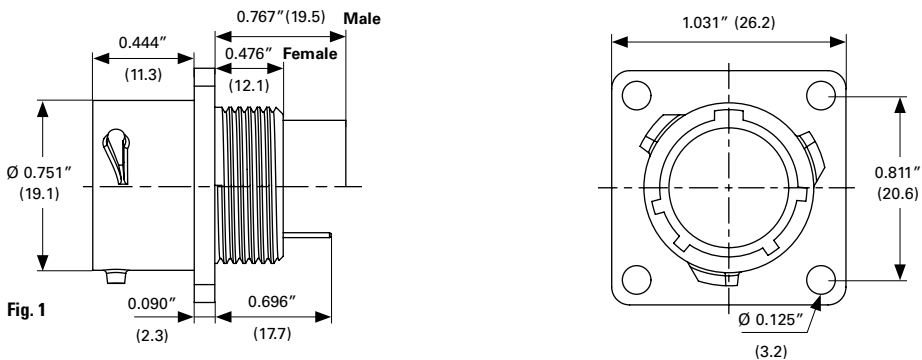
Please contact us directly for overmolded cable assemblies.

Souriau UTSX series

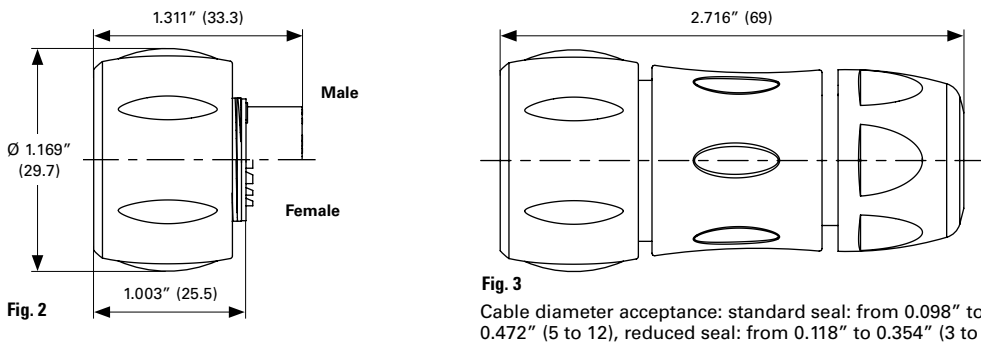
12E8/12D8 (Shell size 12, 8x20)

Dimensions (For mated connector lengths see Page 215)

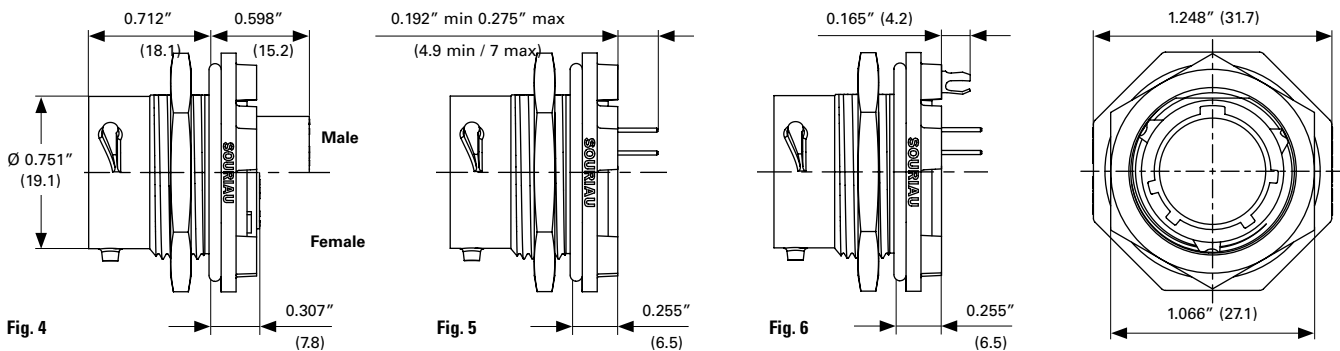
Square flange receptacle - UTSX0



Plug - UTSX6 and UTSX6JC

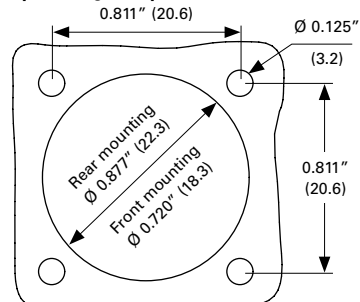


Jam nut receptacle UTSX7

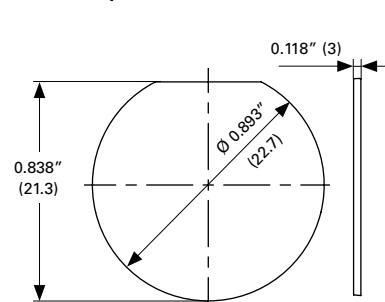


Panel cut out

Square flange receptacle - UTSX0



Jam nut receptacle - UTSX7



Dimensions in inches (millimeters)

Accessories

Jam nut and free hanging receptacle sealing caps



Description	Part number
IP68	UTS12DCG
IP68 - Metal terminal	UTS12DCGR

Plug sealing cap



Description	Part number
IP68	UTX612DCG

Plastic protective cap



Part number receptacle cap	Part number plug cap
85005587A	85005596

Gasket



Part number
UTFD13B

Color coding rings



Description	Part number receptacles	Part number plugs
G for Green	UTS712CCRG	UTS612CCRG
Y for Yellow	UTS712CCRY	UTS612CCRY
R for Red	UTS712CCRR	UTS612CCRR

Square flange sealing cap



Description	Part number
IP68 - Metal terminal	UTS12DCGE

Souriau UTSX series

12E8/12D8 (Shell size 12, 8x20)

Contacts #20

Contact type	Plating	Cable acceptance (AWG)	Cable acceptance		Wire stripping length	
			inch ²	mm ²	inch	mm
Handsolder Loaded in the connector	Min 0.4μ gold over 0.8μ Ni	20-18	0.020"-0.031"	0.32-0.80	0.149"	3.8
PCB Machined ⁽¹⁾	Min 0.4μ gold over 0.8μ Ni	–	–	–	–	–

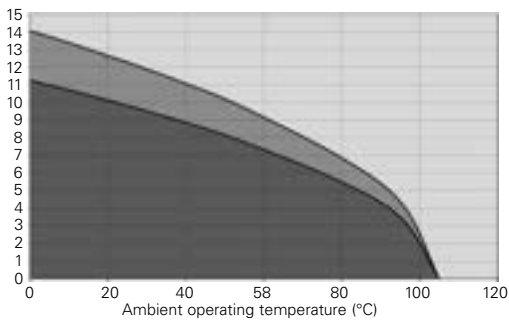
(1) For dimensions see **Page 205**

Electrical characteristics

UL	CSA	IEC
4.5A 250V with AWG20 wire	4.5A 250V with AWG20 wire	6A 32V 1.5kV 3

UTSX 12E8/12D8 derating curves

Current (A)



- Current use
- Limited use
- Not recommended use

Test conditions

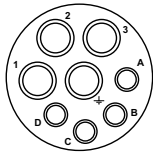
Contact used: machined contacts
Wires used: 20 AWG

Derating curves based on continuous current application.



Connector part number

UTSX 148



8 contacts 25A 600V per UL1977 with AWG14 wire 5A 600V per UL1977 AWG20 wire (qualification pending)

Contact type	Connector type	Backshell	Part number Male insert	Female insert
Crimp contacts supplied separately see Page 110	Square flange receptacle	Without (Fig. 1)	UTSX0148P	UTSX0148S
	Square flange receptacle	Cable gland (Fig. 2)	UTSX0JC148P	UTSX0JC148S
	Free hanging receptacle	Cable gland (Fig. 3)	UTSX1JC148P	UTSX1JC148S
	Plug	Without (Fig. 4)	UTSX6148P	UTSX6148S
	Plug	Cable gland (Fig. 5)	UTSX6JC148P	UTSX6JC148S
	Jam nut receptacle	Without (Fig. 6)	UTSX7148P	UTSX7148S

Souriau UTSX series

148 (Shell size 14, 4x#16, 4x#12)

Dimensions (For mated connector lengths see Page 215)

Square flange receptacle - UTSX0 and UTSX0JC

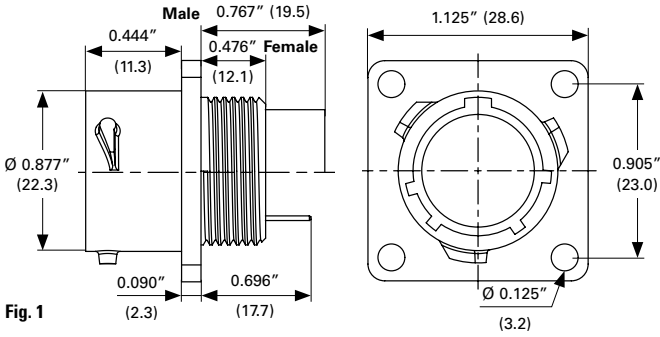


Fig. 1

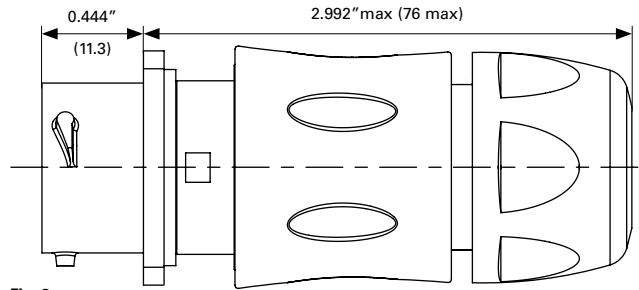


Fig. 2

Cable diameter acceptance: standard seal: from 0.275" to 0.551" (7 to 14), reduced seal: from 0.196" to 0.472" (5 to 12)

Free hanging - UTSX1JC

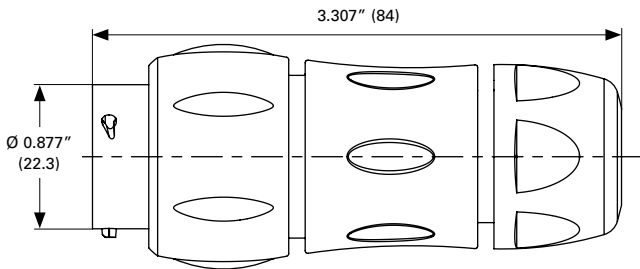


Fig. 3

Cable diameter acceptance: standard seal: from 0.275" to 0.551" (7 to 14), reduced seal: from 0.196" to 0.472" (5 to 12)

Plug - UTSX6 and UTSX6JC

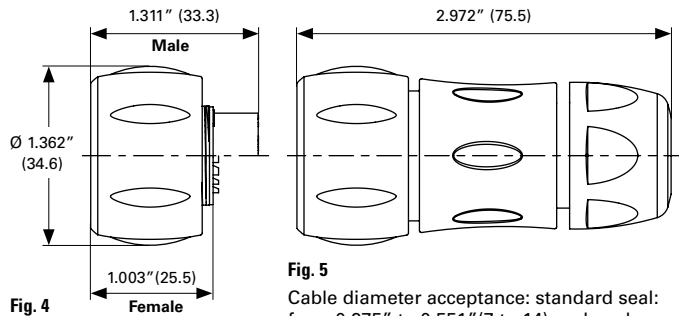


Fig. 4

Fig. 5

Cable diameter acceptance: standard seal: from 0.275" to 0.551" (7 to 14), reduced seal: from 0.196" to 0.472" (5 to 12)

Jam nut receptacle UTSX7

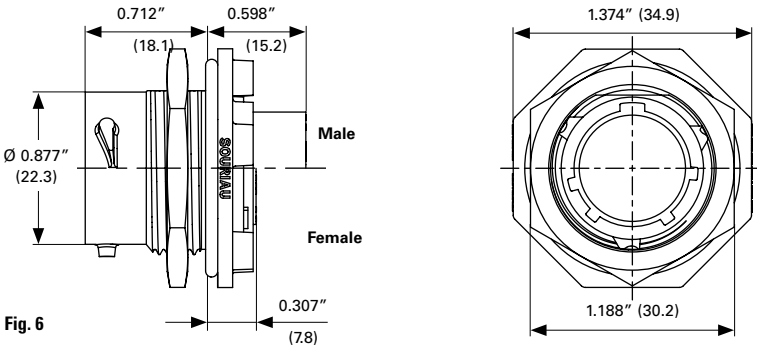
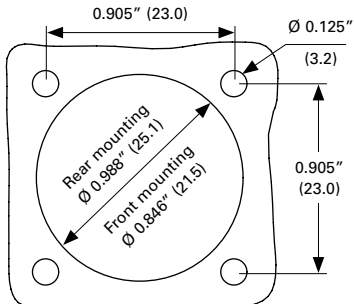


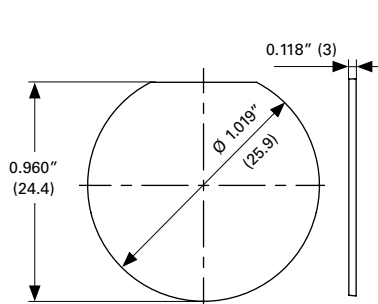
Fig. 6

Panel cut out

Square flange receptacle - UTSX0



Jam nut receptacle - UTSX7



Dimensions in inches (millimeters)

Accessories

Jam nut and free hanging receptacle sealing caps



Description	Part number
IP68	UTS14DCG
IP68 - Metal terminal	UTS14DCGR

Square flange sealing cap



Description	Part number
IP68 - Metal terminal	UTS14DCGE

Plug sealing cap



Description	Part number
IP68	UTX614DCG

Plastic protective cap



Part number receptacle cap	Part number plug cap
85005588A	85005597

Gasket



Part number
UTFD14B

Color coding rings



Description	Part number receptacles	Part number plugs
G for Green	UTS714CCRG	UTS614CCRG
Y for Yellow	UTS714CCRY	UTS614CCRY
R for Red	UTS714CCRR	UTS614CCRR

Souriau UTSX series

148 (Shell size 14, 4x#16, 4x#12)

Tooling

#16 machined or stamped contacts



Crimp tooling (without Shandles)



Extraction tool #16



Crimp tooling #12



#16, #12 and #8 machined contacts



Extraction tool #20



Description	Part number
Handle (without head)	Shandles
Box containing handle and several crimp tooling	Toolkit

Contact size	Contacts	Part number of Head
Standard contacts #16 Ø 0.062" (1.6)	RM/RC 28M1K⁽¹⁾	S16RCM20*
	RM/RC 24M9K⁽¹⁾	S16RCM20*
	RM/RC 20M13K⁽¹⁾	S16RCM20*
	RM/RC 20M12K⁽¹⁾	S16RCM20*
	RM/RC 16M23K⁽¹⁾	S16RCM16*
	RM/RC 14M30K⁽¹⁾	S16RCM14*
	SM/SC 24ML1TK6⁽¹⁾	S16SCM20*
	SM/SC 20ML1TK6⁽¹⁾	S16SCM20*
	SM/SC 16ML1TK6⁽¹⁾	S16SCML1*
	SM/SC 14ML1TK6⁽¹⁾	S16SCML1*
	SM/SC 16ML11TK6⁽¹⁾	S16SCML11*

(1) Example of plating, for other plating options see **Page 198**
* Heads to be used with handle PN: SHANDLES

Description	Part number
Fig. 1	RX2025GE1
Fig. 2 - Long endurance tool	RX2031J

Contact size	Part number hand tool	Part number positioner + locator setting
Standard contacts #12 Ø 0.094" (2.4)	M317	VGE10077A

Description	Part number
Crimp tool	M20S-1J
Die casts and stop bushings	See Page 210

Description	Part number
Contacts #12 Ø 0.094" (2.4)	51060210924

Dimensions in inches (millimeters)

Contacts #16

Contact style	Contact type	Cable acceptance		Part number	Wire Ø max	Insulator Ø max			
		AWG	inch ²			mm ²	inch	mm	
Crimp contacts	Machined	30-28	0.002"-0.003"	0.05-0.08	RM28M1K⁽¹⁾	RC28M1K⁽¹⁾	0.021" 0.55	0.039" 1.00	
	Machined	26-24	0.005"-0.009"	0.13-0.25	RM24M9K⁽¹⁾	RC24M9K⁽¹⁾	0.031" 0.80	0.062" 1.58	
	Machined	22-20	0.012"-0.020"	0.32-0.52	RM20M13K⁽¹⁾	RC20M13K⁽¹⁾	0.045" 1.15	0.070" 1.80	
	Machined	22-20	0.012"-0.020"	0.32-0.52	RM20M12K⁽¹⁾	RC20M12K⁽¹⁾	0.045" 1.15	0.086" 2.20	
	Machined	20-16	0.020"-0.059"	0.52-1.48	RM16M23K⁽¹⁾	RC16M23K⁽¹⁾	0.070" 1.80	0.125" 3.20	
	Machined	16-14	0.059"-0.098"	1.48-2.48	RM14M30K⁽¹⁾	RC14M30K⁽¹⁾	0.090" 2.30	0.125" 3.20	
			26-24	0.005"-0.009"	0.13-0.25	SM24M1TK6⁽¹⁾⁽²⁾	SC24M1TK6⁽¹⁾⁽²⁾	– –	0.035"-0.062" 0.90-1.58
	Stamped and formed reeled contacts See note ⁽²⁾ for loose piece		22-20	0.012"-0.020"	0.32-0.52	SM20M1TK6⁽¹⁾⁽²⁾	SC20M1TK6⁽¹⁾⁽²⁾	– –	0.047"-0.082" 1.20-2.10
			18-16	0.031"-0.059"	0.80-1.48	SM16M1TK6⁽¹⁾⁽²⁾	SC16M1TK6⁽¹⁾⁽²⁾	– –	0.125" 3.20
			18-16	0.031"-0.059"	0.80-1.48	SM16M11TK6⁽¹⁾⁽²⁾	SC16M11TK6⁽¹⁾⁽²⁾	– –	0.118" 3.00
			14	0.098"	2.48	SM14M1TK6⁽¹⁾⁽²⁾	SC14M1TK6⁽¹⁾⁽²⁾	– –	0.125" 3.20
PCB	Machined ⁽³⁾	–			RM20M12E83K⁽¹⁾	RC20M12E84K⁽¹⁾	– –	– –	
Coaxial	Cable multipiece	see Page 202			RMDXK10D28	RCDXK1D28	– –	– –	
	Cable monocrimp	see Page 202			RMDX60xxD28	RCDX60xxD28	– –	– –	
	Twisted pair multipiece	see Page 202			RMDXK10D28 + yorx090	RCDXK1D28 + yorx090	– –	– –	
	Twisted pair monocrimp	see Page 202			RMDX60xxD28	RCDX60xxD28	– –	– –	

(1) Example of plating, for other plating see **Page 198**

(2) Loose piece contact available by adding "L" after the "M" for the contact size and the plating. Example: SM20M1TK6 becomes SM20ML1TK6

Contacts #12

Contact style	Contact type	Cable acceptance		Part number	Wire Ø max	Insulator Ø max		
		AWG	inch ²			mm ²	inch	mm
Crimp contacts	Machined	20	–	–	82911457NA⁽¹⁾	82911456A⁽¹⁾	0.027" 0.7	0.192" 4.90
		20	–	–	82911459NA⁽¹⁾	82911458A⁽¹⁾	0.044" 1.12	0.192" 4.90
		18	–	–	82911461NA⁽¹⁾	82911460A⁽¹⁾	0.055" 1.42	0.192" 4.90
		16	–	–	82911463NA^v	82911462A⁽¹⁾	0.067" 1.72	0.192" 4.90
		14	–	–	82911465NA⁽¹⁾	82911464A⁽¹⁾	0.087" 2.20	0.192" 4.90
		12	–	–	82911467NA⁽¹⁾	82911466A⁽¹⁾	0.111" 2.82	0.192" 4.90

(1): Example of plating, for other plating see **Page 198**

Souriau UTSX series

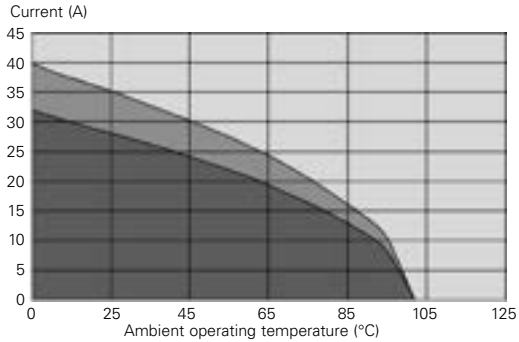
148 (Shell size 14, 4x#16, 4x#12)

Electrical characteristics

UL	CSA	IEC
25A 600V with AWG14*	17A 600V with AWG14*	17A 230V 1.5kV 3
5A 600V with AWG20*	5A 600V with AWG20*	

* qualification pending

UTSX 148 derating curves

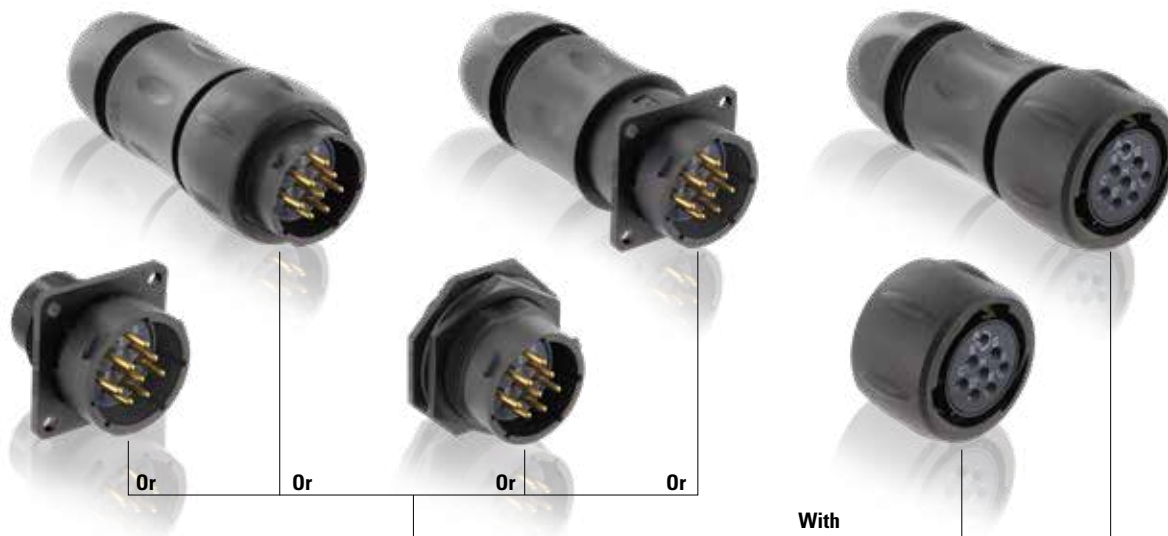


- Current use
- Limited use
- Not recommended use

Test conditions

Contact used: machined contacts
Wires used: 16 AWG

Derating curves based on continuous current application.



Connector part number

UTSX 16E8 / 16D8



8 contacts
13A/500V per UL 1977
with AWG16 wire

Contact type	Connector type	Backshell	Part number Male insert	Female insert
Hand solder electrical contacts loaded see Page 114	Square flange receptacle	Without (Fig. 1)	UTSX016E8P	UTSX016E8S
	Plug	Without (Fig. 4)	UTSX616E8P	UTSX616E8S
	Plug	Cable gland (Fig. 5)	UTSX6JC16E8P	UTSX6JC16E8S
	Jam nut receptacle	Without (Fig. 6)	UTSX716E8P	UTSX716E8S
	Jam nut receptacle with stand off and with hold down clips	Without (Fig. 8)	UTSX716E8P32	UTSX716E8S32
PCB contacts loaded see Page 114	Square flange receptacle	Without (Fig. 3)	UTSX016D8P	UTSX016D8S
	Jam nut receptacle with stand off and without hold down clip	Without (Fig.7)	UTSX716D8P	UTSX716D8S
	Jam nut receptacle with stand off and with hold down clips	Without (Fig. 8)	UTSX716D8P32	UTSX716D8S32

For discrimination/keying methods see **Page 223**

Sealed unmatd

Overmolded cable assembly part numbers

Please contact us directly for overmolded cable assemblies.

Souriau UTSX series

16E8/16D8 (Shell size 16, 8 x #16)

Dimensions (For mated connector lengths see Page 215)

Square flange receptacle - UTSX0 and UTSX0JC

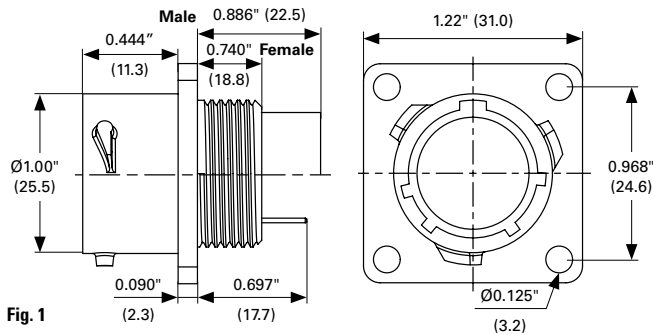


Fig. 1

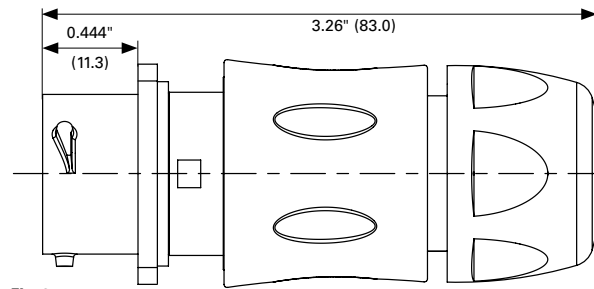


Fig. 2

Cable diameter acceptance: standard seal: from 0.472" to 0.630" (12 to 16), reduced seal: from 0.354" to 0.472" (9 to 12).

Free hanging - UTSX1JC and UTSXGJC

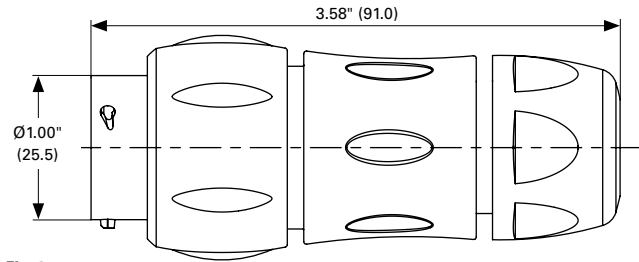


Fig. 3

Cable diameter acceptance: standard seal: from 0.472" to 0.630" (12 to 16), reduced seal: from 0.354" to 0.472" (9 to 12).

Plug - UTSX6 and UTSX6JC

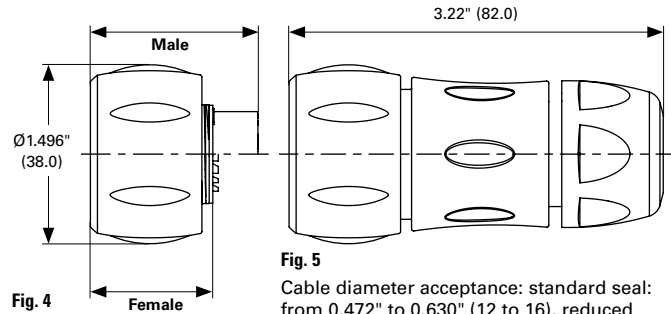


Fig. 4

Fig. 5

Cable diameter acceptance: standard seal: from 0.472" to 0.630" (12 to 16), reduced seal: from 0.354" to 0.472" (9 to 12).

Jam nut receptacle UTSX7

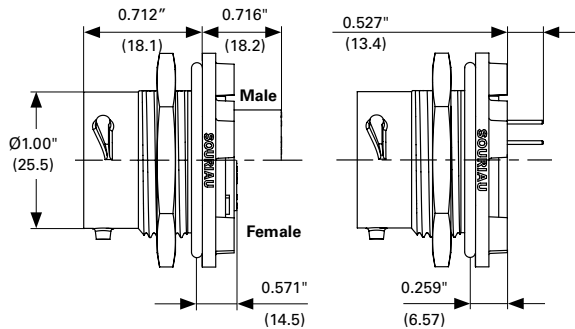
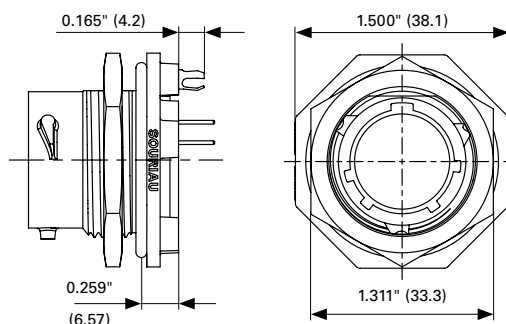


Fig. 6

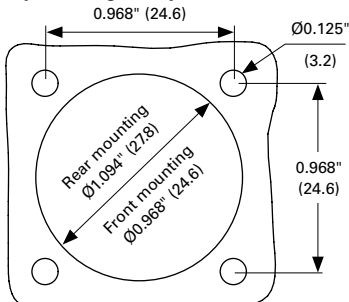
Fig. 7

Fig. 8

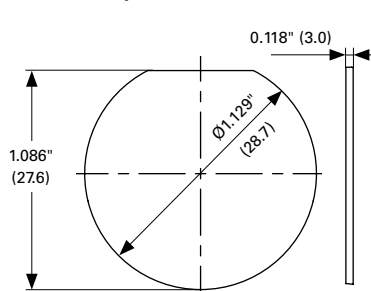


Panel cut out

Square flange receptacle - UTSX0



Jam nut receptacle - UTSX7



Dimensions in inches (millimeters)

Accessories

Jam nut and free hanging receptacle sealing caps



Description	Part number
IP68	UTS16DCG
IP68 - Metal terminal	UTS16DCGR

Square flange sealing cap



Description	Part number
IP68 - Metal terminal	UTS16DCGE

Plug sealing cap



Description	Part number
IP68	UTS616DCG

Plastic protective cap



Part number receptacle cap	Part number plug cap
85005589A	85005598

Gasket



Part number
UTFD15B

Color coding rings



Description	Part number receptacles	Part number plugs
G for Green	UTS716CCRG	UTS616CCRG
Y for Yellow	UTS716CCRY	UTS616CCRY
R for Red	UTS716CCRR	UTS616CCRR

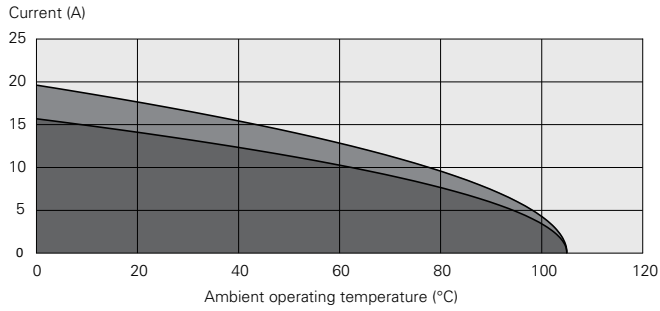
Souriau UTSX series

16E8/16D8 (Shell size 16, 8 x #16)

Electrical characteristics

UL	CSA	IEC
UTSX 16E8/16D8 13A 500V with AWG16 wire	10A 500V with AWG16 wire	13A 80V 3kV 3

UTSX 16E8/16D8 derating curves

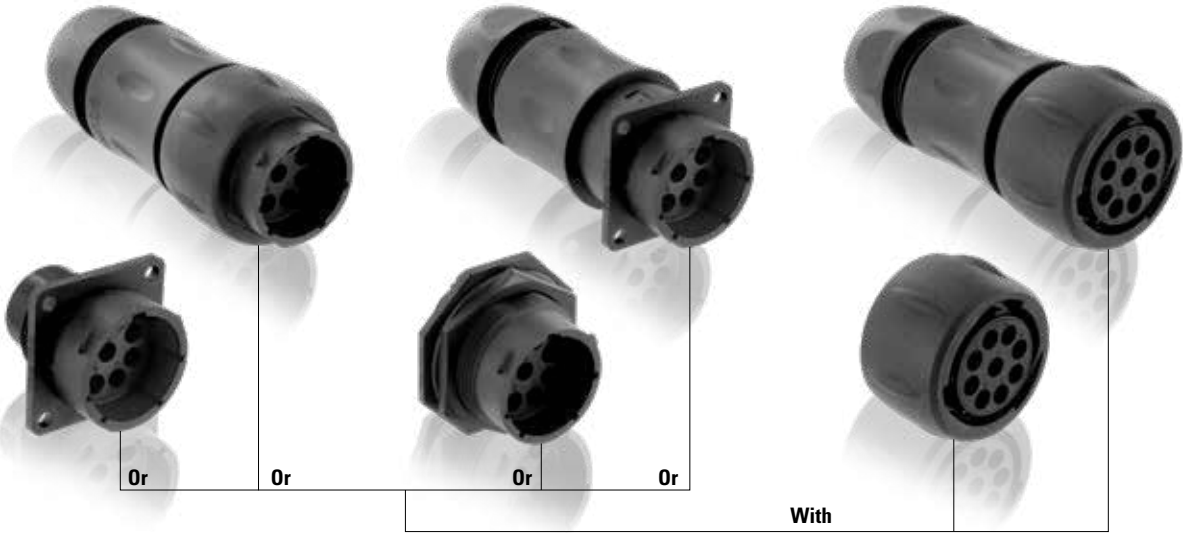


- Current use
- Limited use
- Not recommended use

Test conditions

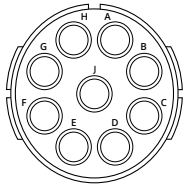
Contact used: machined contacts
Wires used: 16 AWG

Derating curves based on continuous current application.



Connector part number

UTSX 169



9 contacts
23A/600V per UL 1977
with AWG16 wire

Contact type	Connector type	Backshell	Part number Male insert	Female insert
Crimp contacts supplied separately see Page 118	Square flange receptacle	Without (Fig. 1)	UTSX0169P	UTSX0169S
	Square flange receptacle	Cable gland (Fig. 2)	UTSX0JC169P	UTSX0JC169S
	Free hanging receptacle	Cable gland (Fig. 3)	UTSX1JC169P	UTSX1JC169S
	Plug	Without (Fig. 4)	UTSX6169P	UTSX6169S
	Plug	Cable gland (Fig. 5)	UTSX6JC169P	UTSX6JC169S
	Jam nut receptacle	Without (Fig. 6)	UTSX7169P	UTSX7169S
	Jam nut receptacle with stand off and with hold down clips	Without (Fig. 8)	UTSX7169P32	UTSX7169S32
PCB contacts supplied separately see Page 118	Square flange receptacle	Without (Fig. 1)	UTSX0169P	UTSX0169S
	Jam nut receptacle	Without (Fig. 7)	UTSX7169P	UTSX7169S

For discrimination/keying methods see **Page 223**

Overmolded cable assembly part numbers

Please contact us directly for overmolded cable assemblies.

Souriau UTSX series

169 (Shell size 16, 9 x #12)

Dimensions (For mated connector lengths see Page 215)

Square flange receptacle - UTSX0 and UTSX0JC

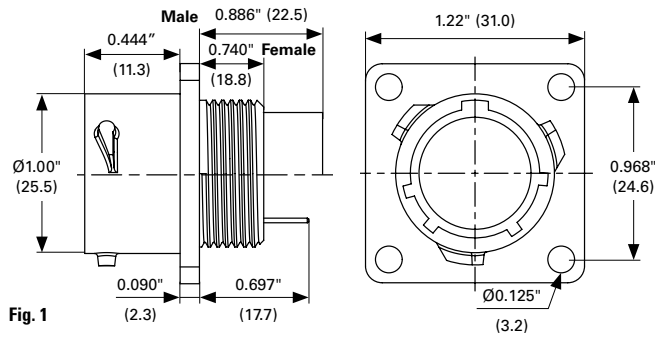


Fig. 1

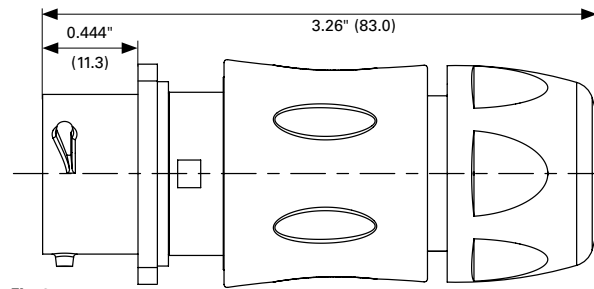


Fig. 2

Cable diameter acceptance: standard seal: from 0.472" to 0.630" (12 to 16), reduced seal: from 0.354" to 0.472" (9 to 12).

Free hanging - UTSX1JC and UTSXGJC

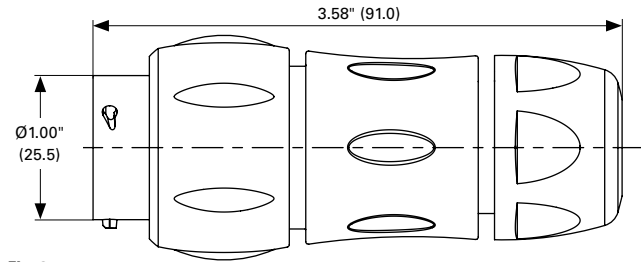


Fig. 3

Cable diameter acceptance: standard seal: from 0.472" to 0.630" (12 to 16), reduced seal: from 0.354" to 0.472" (9 to 12).

Plug - UTSX6 and UTSX6JC

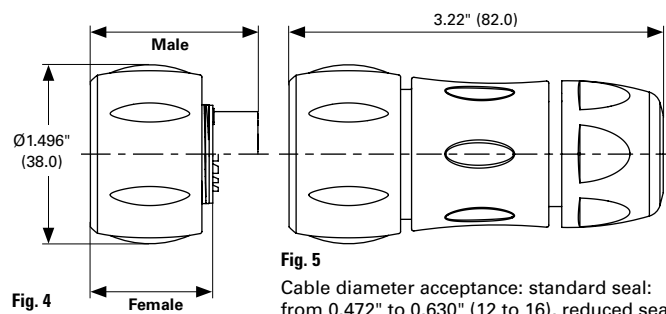


Fig. 4

Fig. 5

Cable diameter acceptance: standard seal: from 0.472" to 0.630" (12 to 16), reduced seal: from 0.354" to 0.472" (9 to 12).

Jam nut receptacle UTSX7

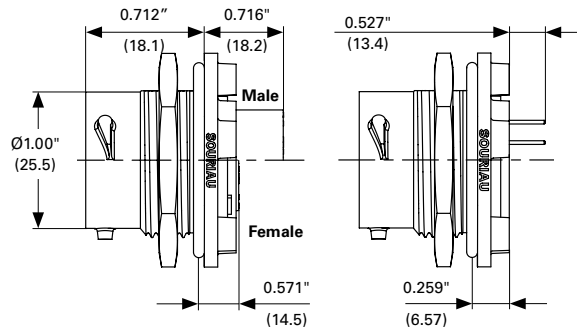


Fig. 6

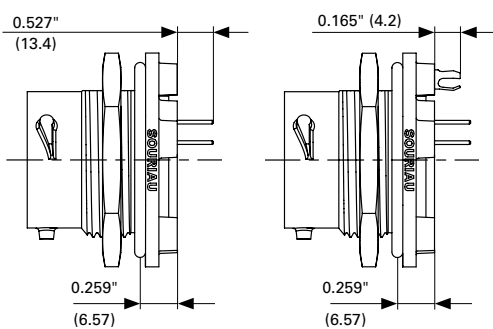


Fig. 7

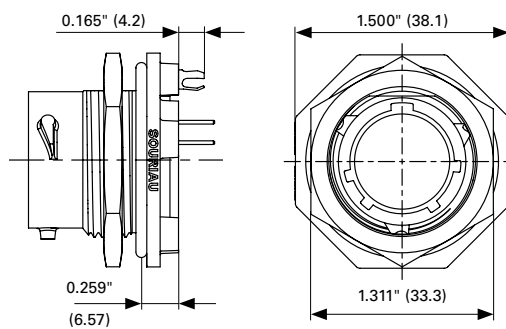
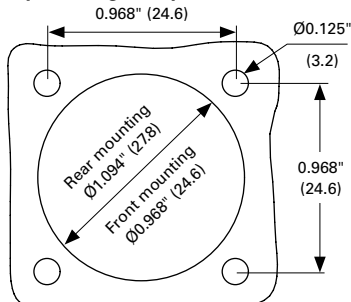


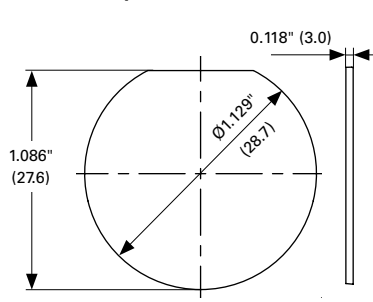
Fig. 8

Panel cut out

Square flange receptacle - UTSX0



Jam nut receptacle - UTSX7



Dimensions in inches (millimeters)

Accessories

Jam nut and free hanging receptacle sealing caps



Description	Part number
IP68	UTS16DCG
IP68 - Metal terminal	UTS16DCGR

Square flange sealing cap



Description	Part number
IP68 - Metal terminal	UTS16DCGE

Plug sealing cap



Description	Part number
IP68	UTS616DCG

Plastic protective cap



Part number receptacle cap	Part number plug cap
85005589A	85005598

Gasket



Part number
UTFD15B

Color coding rings



Description	Part number receptacles	Part number plugs
G for Green	UTS716CCRG	UTS616CCRG
Y for Yellow	UTS716CCRY	UTS616CCRY
R for Red	UTS716CCRR	UTS616CCRR

Tooling

Crimp tooling #12



Contact size	Part number hand tool	Part number positioner + locator setting
Standard contacts #12 Ø 0.094" (2.4)	M317	VGE10077A

Souriau UTSX series

169 (Shell size 16, 9 x #12)

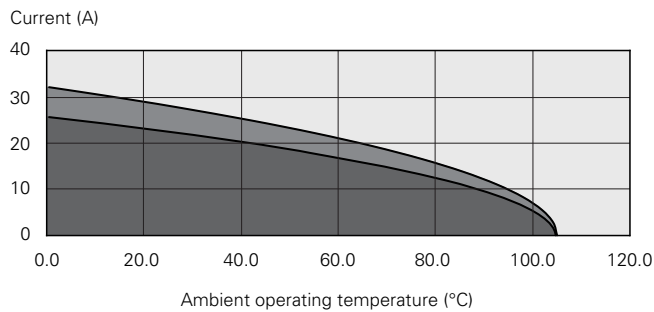
Contacts #12

Contact style	Contact type	Cable acceptance		Part number	Wire Ø max		Insulator Ø max			
		AWG	inch ²		mm ²	inch	mm	inch	mm	
Crimp contacts	Machined	20	0.020"	0.52	82911457NA	82911456A	0.034"	0.87	0.192"	4.90
		20	0.020"	0.52	82911459NA	82911458A	0.044"	1.12	0.192"	4.90
		18	0.031"	0.80	82911461NA	82911460A	0.055"	1.42	0.192"	4.90
		16	0.059"	1.48	82911463NA	82911462A	0.067"	1.72	0.192"	4.90
		14	0.098"	2.48	82911465NA	82911464A	0.087"	2.20	0.192"	4.90
		12	0.157"	4.00	82911467NA	82911466A	0.111"	2.82	0.192"	4.90

Electrical characteristics

UL	CSA	IEC
UTSX 169 23A 600V with AWG12	17A 600V with AWG12	22A 160V 2.5kV 3

UTSX 169 derating curves



- Current use
- Limited use
- Not recommended use

Test conditions

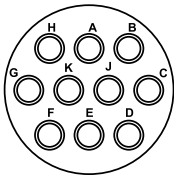
Contact used: machined contacts
Wires used: 12 AWG

Derating curves based on continuous current application.



Connector part number

UTSX 1210 - 12E10/12D10



10 contacts
4.5A/250V
per UL 1977
with AWG20 wire

Contact type	Connector type	Backshell	Part number Male insert	Female insert
Crimp contacts supplied separately see Page 123	Square flange receptacle	Without (Fig. 1)	UTSX01210P	UTSX01210S
	Square flange receptacle	Cable gland (Fig. 2)	UTSX0JC1210P	UTSX0JC1210S
	Free hanging receptacle	Cable gland (Fig. 3)	UTSX1JC1210P	UTSX1JC1210S
	Plug	Without (Fig. 4)	UTSX61210P	UTSX61210S
	Plug	Cable gland (Fig. 5)	UTSX6JC1210P	UTSX6JC1210S
	Jam nut receptacle	Without (Fig. 6)	UTSX71210P	UTSX71210S
Handsolder electrical contacts loaded see Page 123	Square flange receptacle	Without (Fig. 1)	UTSX012E10P	UTSX012E10S
	Plug	Without (Fig. 4)	UTSX612E10P	UTSX612E10S
	Plug	Cable gland (Fig. 5)	UTSX6JC12E10P	UTSX6JC12E10S
	Jam nut receptacle	Without (Fig. 6)	UTSX712E10P	UTSX712E10S
PCB contacts loaded	Square flange receptacle	Without (Fig. 3)	UTSX012D10P	UTSX012D10S
	Jam nut receptacle with stand off and without hold down clip	Without (Fig.7)	UTSX712D10P	UTSX712D10S
	Jam nut receptacle with stand off and with hold down clips	Without (Fig. 8)	UTSX712D10P32	UTSX712D10S32

For discrimination/keying methods see **Page 223**

Sealed unmated

Overmolded cable assembly part numbers

Please contact us directly for overmolded cable assemblies.

Souriau UTSX series

1210 - 12E10/12D10 (Shell size 12, 10x#20)

Dimensions (For mated connector lengths see Page 215)

Square flange receptacle - UTSX0 and UTSX0JC

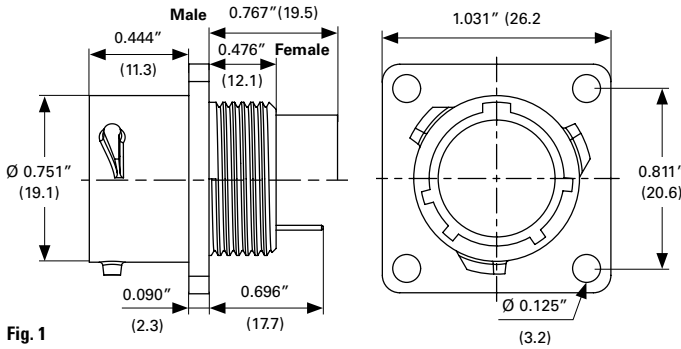


Fig. 1

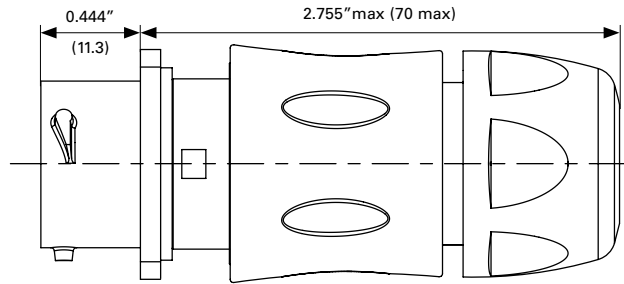


Fig. 2

Cable diameter acceptance: standard seal: from 0.098" to 0.472" (5 to 12), reduced seal: from 0.118" to 0.354" (3 to 9)

Free hanging - UTSX1JC

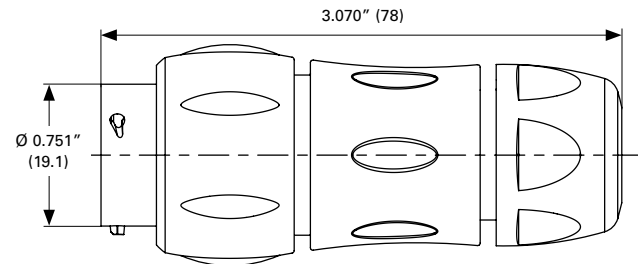


Fig. 3

Cable diameter acceptance: standard seal: from 0.098" to 0.472" (5 to 12), reduced seal: from 0.118" to 0.354" (3 to 9)

Plug - UTSX6 and UTSX6JC

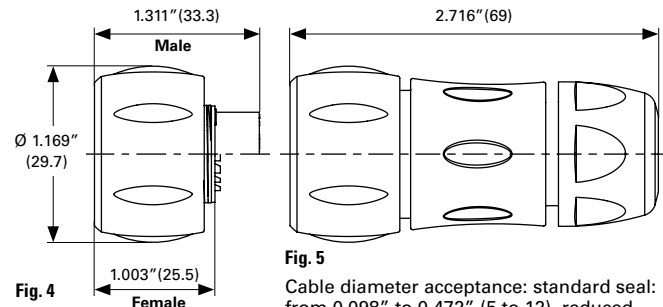


Fig. 4

Fig. 5

Cable diameter acceptance: standard seal: from 0.098" to 0.472" (5 to 12), reduced seal: from 0.118" to 0.354" (3 to 9)

Jam nut receptacle UTSX7

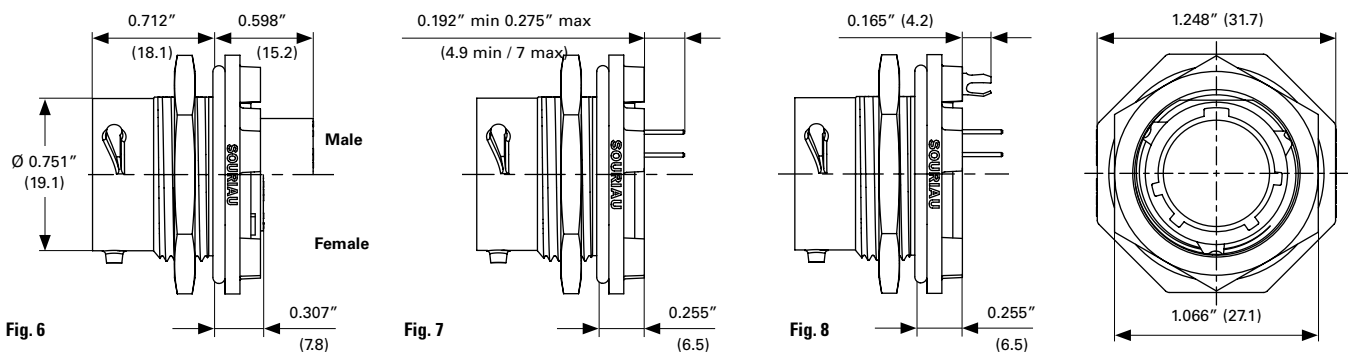


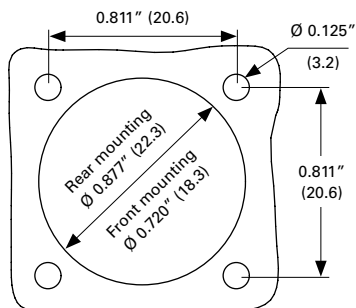
Fig. 6

Fig. 7

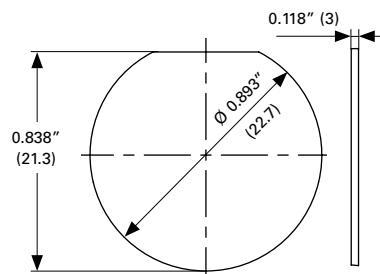
Fig. 8

Panel cut out

Square flange receptacle - UTSX0



Jam nut receptacle - UTSX7



Dimensions in inches (millimeters)

Accessories

Jam nut and free hanging receptacle sealing caps



Description	Part number
IP68	UTS12DCG
IP68 - Metal terminal	UTS12DCGR

Square flange sealing cap



Description	Part number
IP68 - Metal terminal	UTS12DCGE

Plug sealing cap



Description	Part number
IP68	UTX612DCG

Plastic protective cap



Part number receptacle cap	Part number plug cap
85005587A	85005596

Gasket



Part number
UTFD13B

Color coding rings



Description	Part number receptacles	Part number plugs
G for Green	UTS712CCRG	UTS612CCRG
Y for Yellow	UTS712CCRY	UTS612CCRY
R for Red	UTS712CCRR	UTS612CCRR

Souriau UTSX series

1210 - 12E10/12D10 (Shell size 12, 10x#20)

Tooling

Tooling



Description	Part number
Handle (without head)	Shandles
Box containing handle and several crimp tooling	Toolkit

Crimp tooling (without Shandles)



Contact size	Contacts	Part number of Head
Standard contacts	RM/RC 24W3K⁽¹⁾	S20RCM*
#20	RM/RC 20W3K⁽¹⁾	S20RCM*
Ø 0.039" (1)	RM/RC 18W3K⁽¹⁾	S20RCM*
	SM/SC 24WL3⁽¹⁾⁽²⁾	S20SCM20*
	SM/SC 20WL3⁽¹⁾⁽²⁾	S20SCM20*

(1) Example of plating, for other plating options see **Page 198**

(2) Loose contact

* Heads to be used with handle PN: SHANDLES

Extraction tool #20



Description	Part number
Contacts #20 Ø 0.039" (1)	RX20D44

Contacts #20

Contact style	Contact type	Cable acceptance		Part number	Wire Ø max	Insulator Ø max		
		AWG	inch ²			mm ²	inch	mm
Crimp contacts	Machined	26-24	0.005"-0.009"	0.13-0.25	RM24W3K	RC24W3K	0.031" 0.80	0.062" 1.58
	Machined	22-20	0.012"-0.020"	0.32-0.52	RM20W3K	RC20W3K	0.045" 1.15	0.070" 1.80
	Machined	20-18	0.020"-0.031"	0.52-0.80	RM18W3K	RC18W3K	0.051" 1.30	0.082" 2.10
	Stamped and formed reeled contacts	26-24	0.005"-0.009"	0.13-0.25	SM24W3TK6⁽¹⁾	SC24W3TK6⁽¹⁾	– –	0.035"-0.062" 0.90-1.60
	See note ⁽¹⁾ for loose piece	26-24	0.005"-0.009"	0.13-0.25	SM24W3S26⁽¹⁾	SC24W3S25⁽¹⁾	– –	0.035"-0.062" 0.90-1.60
		22-20	0.012"-0.020"	0.32-0.52	SM20W3TK6⁽¹⁾	SC20W3TK6⁽¹⁾	– –	0.047"-0.082" 1.20-2.10
PCB	Machined ⁽²⁾	–	–	–	RMW5016K	RCW5016K	– –	– –

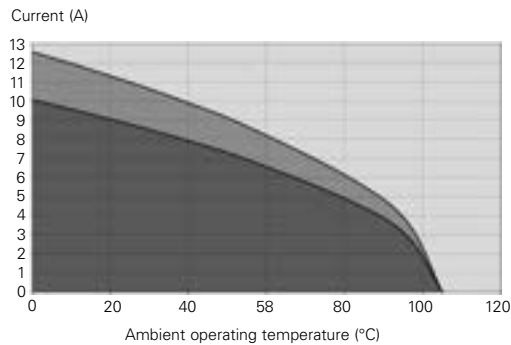
(1) Loose piece contact available by adding "L" after the "M" for the contact size and the plating. Example: SM20W3TK6 becomes SM20WL3TK6
 (2) for dimensions see **Pages 205**

Contact style	Contact type	Plating	Cable acceptance (AWG)	Wire stripping length	
				inch	mm
Hand solder	Loaded in the connector	Min 0.4µ gold over 0.8µ Ni	20 to 18	0.149"	3.8

Electrical characteristics

UL	CSA	IEC
UTSX 1210 4.5A 250V with AWG20 wire	3A 250V with AWG20 wire	6A 50V 1.5kV 3
UTSX 12E10/12D10 4.5A 250V with AWG20 wire	4.5A 250V with AWG20 wire	6A 50V 1.5kV 3

UTSX 1210 - 12E10/12D10 derating curves



- Current use
- Limited use
- Not recommended use

Test conditions

Contact used: machined contacts
 Wires used: 20 AWG

Derating curves based on continuous current application.

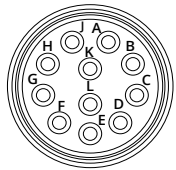
Souriau UTSX series

18E11/18D11 (Shell size 18, 11 x #16)



Connector part number

UTSX 18E11 /18D11



11 contacts
13A/600V per UL 1977
with AWG16 wire

Contact type	Connector type	Backshell	Part number Male insert	Female insert
Hand solder electrical contacts loaded see Page 127	Square flange receptacle	Without (Fig. 1)	UTSX018E11P	UTSX018E11S
	Plug	Without (Fig. 4)	UTSX618E11P	UTSX618E11S
	Plug	Cable gland (Fig. 5)	UTSX6JC18E11P	UTSX6JC18E11S
	Jam nut receptacle	Without (Fig. 6)	UTSX718E11P	UTSX718E11S
	Jam nut receptacle with stand off and with hold down clips	Without (Fig. 8)	UTSX718E11P32	UTSX718E11S32
PCB contacts loaded see Page 127	Square flange receptacle	Without (Fig. 3)	UTSX018D11P	UTSX018D11S
	Jam nut receptacle with stand off and without hold down clip	Without (Fig.7)	UTSX718D11P	UTSX718D11S
	Jam nut receptacle with stand off and with hold down clips	Without (Fig. 8)	UTSX718D11P32	UTSX718D11S32

For discrimination/keying methods see **Page 223**

Sealed unmated

Overmolded cable assembly part numbers

Please contact us directly for overmolded cable assemblies.

Dimensions (For mated connector lengths see Page 215)

Square flange receptacle - UTSX0 and UTSX0JC

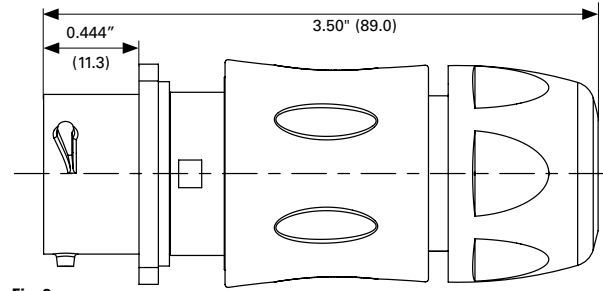
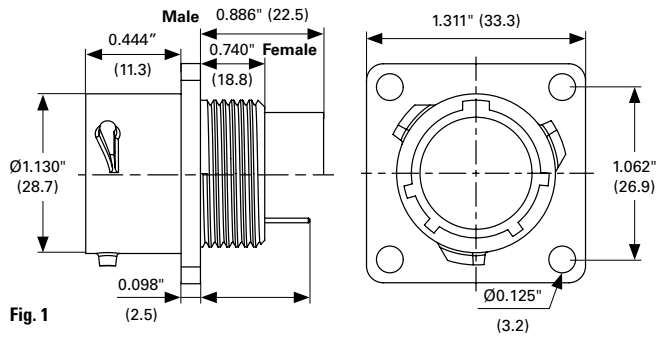


Fig. 2
Cable diameter acceptance: standard seal: from 0.512" to 0.709" (13 to 18), reduced seal: from 0.433" to 0.590" (11 to 15).

Free hanging - UTSX1JC and UTSXGJC

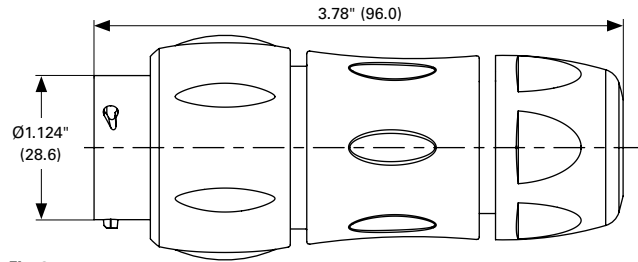


Fig. 3
Cable diameter acceptance: standard seal: from 0.512" to 0.709" (13 to 18), reduced seal: from 0.433" to 0.590" (11 to 15).

Plug - UTSX6 and UTSX6JC

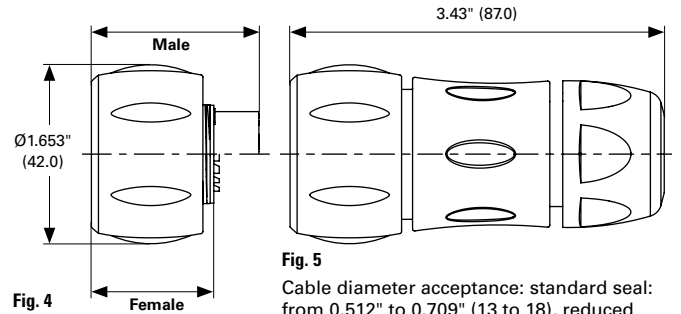


Fig. 5
Cable diameter acceptance: standard seal: from 0.512" to 0.709" (13 to 18), reduced seal: from 0.433" to 0.590" (11 to 15).

Jam nut receptacle UTSX7

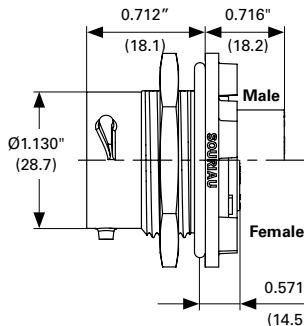


Fig. 6

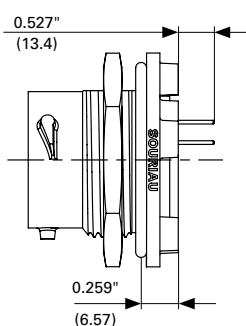


Fig. 7

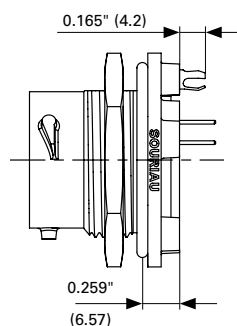
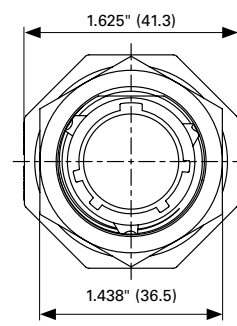
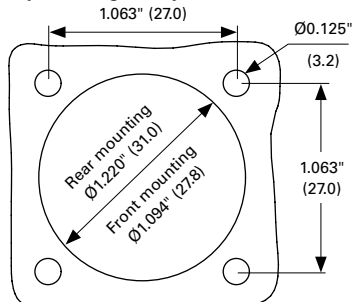


Fig. 8

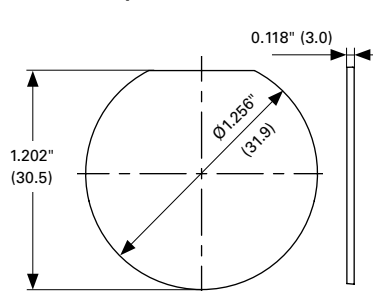


Panel cut out

Square flange receptacle - UTSX0



Jam nut receptacle - UTSX7



Dimensions in inches (millimeters)

Souriau UTSX series

18E11/18D11 (Shell size 18, 11 x #16)

Accessories

Jam nut and free hanging receptacle sealing caps



Description	Part number
IP68	UTS18DCG
IP68 - Metal terminal	UTS18DCGR

Square flange sealing cap



Description	Part number
IP68 - Metal terminal	UTS18DCGE

Plug sealing cap



Description	Part number
IP68	UTS618DCG

Plastic protective cap



Part number receptacle cap	Part number plug cap
85005590A	85005599

Gasket



Part number
UTFD16B

Color coding rings

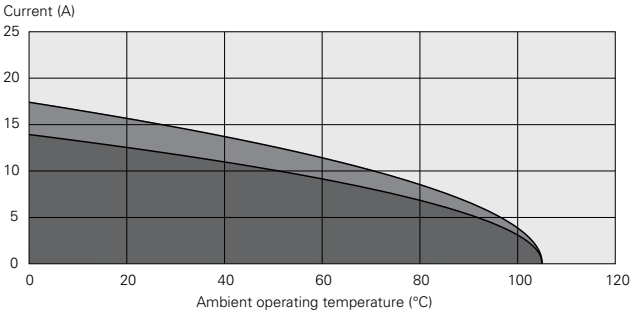


Description	Part number receptacles	Part number plugs
G for Green	UTS718CCRG	UTS618CCRG
Y for Yellow	UTS718CCRY	UTS618CCRY
R for Red	UTS718CCRR	UTS618CCRR

Electrical characteristics

UL	CSA	IEC
UTSX 18E11/18D11 13A 600V with AWG16 wire	10A 600V with AWG16 wire	13A 40V 2.5kV 3

UTSX 18E11/18D11 derating curves



- Current use
- Limited use
- Not recommended use

Test conditions

Contact used: machined contacts
Wires used: 16 AWG

Derating curves based on continuous current application.

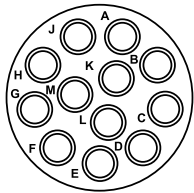
Souriau UTSX series

1412 (Shell size 14, 12x#16)



Connector part number

UTSX 1412



12 contacts
16A/500V
per UL 1977 with
AWG14 wire

Contact type	Connector type	Backshell	Part number Male insert	Female insert
Crimp contacts supplied separately See Page 132	Square flange receptacle	Without (Fig. 1)	UTSX01412P	UTSX01412S
	Square flange receptacle	Cable gland (Fig. 2)	UTSX0JC1412P	UTSX0JC1412S
	Free hanging receptacle	Cable gland (Fig. 3)	UTSX1JC1412P	UTSX1JC1412S
	Free hanging receptacle	Cable gland and grommet (Fig. 3)	UTSX1GJC1412P	–
	Plug	Without (Fig. 4)	UTSX61412P	UTSX61412S
	Plug	Cable gland (Fig. 5)	UTSX6JC1412P	UTSX6JC1412S
	Plug	Cable gland and grommet (Fig. 5)	–	UTSX6GJC1412S
	Jam nut receptacle	Without (Fig. 6)	UTSX71412P	UTSX71412S
Jam nut receptacle	Cable gland and grommet (Fig. 7)	UTSX7GJC1412P	–	
PCB contacts supplied separately See Page 132	Square flange receptacle	Without (Fig. 1)	UTSX01412P	UTSX01412S
	Jam nut receptacle	Without (Fig. 6)	UTSX71412P	UTSX71412S

For discrimination/keying methods see **Page 223**

Overmolded cable assembly part numbers

Please contact us directly for overmolded cable assemblies.

Dimensions (For mated connector lengths see Page 215)

Square flange receptacle - UTSX0 and UTSX0JC

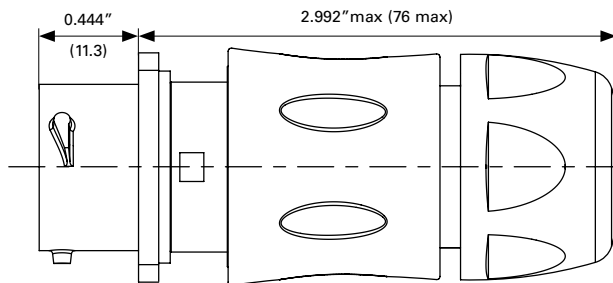
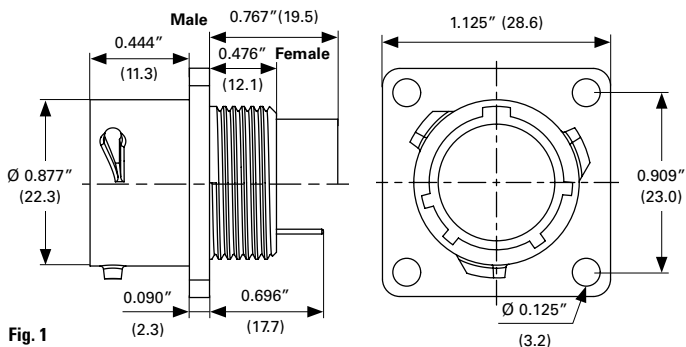


Fig. 2
Cable diameter acceptance: standard seal: from 0.275" to 0.551" (7 to 14), reduced seal: from 0.196" to 0.472" (5 to 12)

Free hanging - UTSX1JC and UTSC1GJC

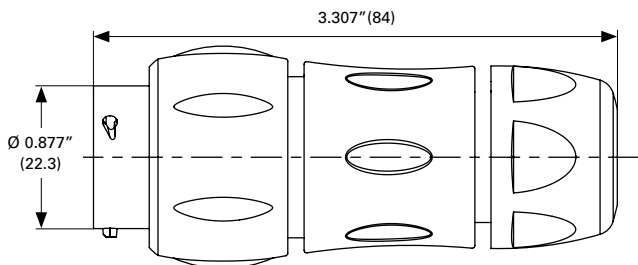


Fig. 3
Cable diameter acceptance: standard seal: from 0.275" to 0.551" (7 to 14), reduced seal: from 0.196" to 0.472" (5 to 12)

Plug - UTSX6, UTSX6JC and UTSX6GJC

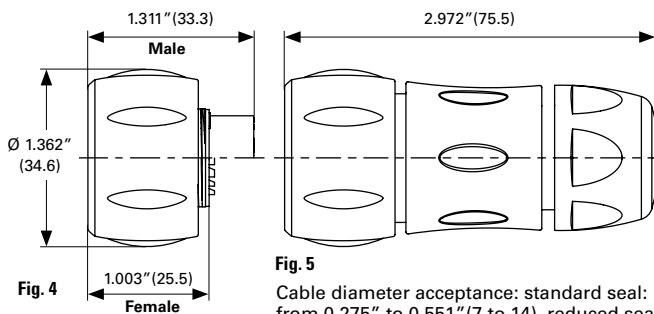


Fig. 5
Cable diameter acceptance: standard seal: from 0.275" to 0.551" (7 to 14), reduced seal: from 0.196" to 0.472" (5 to 12)

Jam nut receptacle UTSX7 and UTSX7GJC

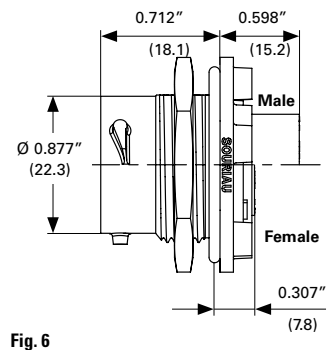


Fig. 6

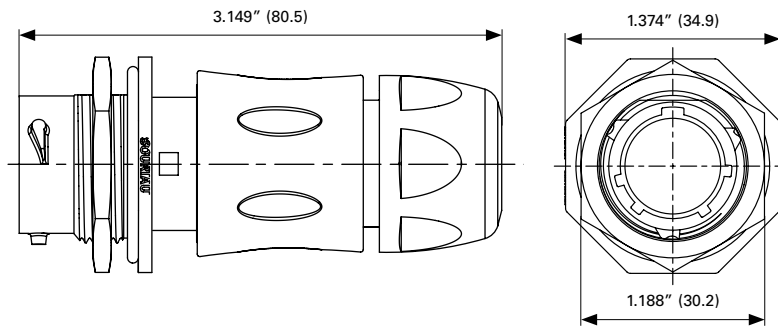
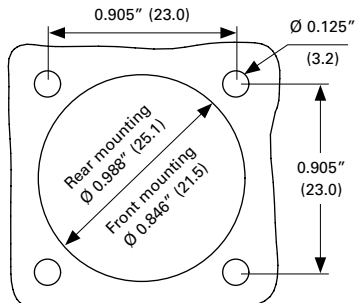


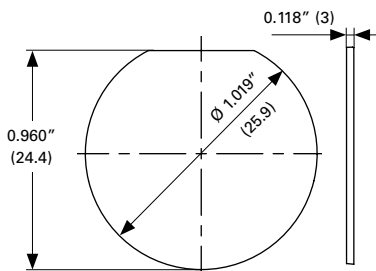
Fig. 7

Panel cut out

Square flange receptacle - UTSX0



Jam nut receptacle - UTSX7



Dimensions in inches (millimeters)

Souriau UTSX series

1412 (Shell size 14, 12x#16)

Accessories

Jam nut and free hanging receptacle sealing caps



Description	Part number
IP68	UTS14DCG
IP68 - Metal terminal	UTS14DCGR

Square flange sealing cap



Description	Part number
IP68 - Metal terminal	UTS14DCGE

Plug sealing cap



Description	Part number
IP68	UTX614DCG

Plastic protective cap



Part number receptacle cap	Part number plug cap
8500588A	85005597

Gasket



Part number
UTFD14B

Color coding rings



Description	Part number receptacles	Part number plugs
G for Green	UTS714CCRG	UTS614CCRG
Y for Yellow	UTS714CCRY	UTS614CCRY
R for Red	UTS714CCRR	UTS614CCRR

Tooling

Tooling



Description	Part number
Handle (without head)	Shandles
Box containing handle and several crimp tooling	Toolkit

Crimp tooling (without Shandles)



Contact size	Contacts	Part number of Head
Standard contacts #16 Ø 0.062" (1.6)	RM/RC 28M1K ⁽¹⁾	S16RCM20*
	RM/RC 24M9K ⁽¹⁾	S16RCM20*
	RM/RC 20M13K ⁽¹⁾	S16RCM20*
	RM/RC 20M12K ⁽¹⁾	S16RCM20*
	RM/RC 16M23K ⁽¹⁾	S16RCM16*
	RM/RC 14M30K ⁽¹⁾	S16RCM14*
	SM/SC 24ML1TK6 ⁽¹⁾	S16SCM20*
	SM/SC 20ML1TK6 ⁽¹⁾	S16SCM20*
	SM/SC 16ML1TK6 ⁽¹⁾	S16SCML1*
	SM/SC 14ML1TK6 ⁽¹⁾	S16SCML1*
	SM/SC 16ML11TK6 ⁽¹⁾	S16SCML11*

(1) Example of plating, for other plating options see **Page 198**

* Heads to be used with handle PN: SHANDLES

#16, #12 and #8 machined contacts



Description	Part number
Crimp tool	M20S-1J
Die casts and stop bushings	See Page 210

Extraction tool #16

Fig. 1



Fig. 2



Description	Part number
Fig. 1	RX2025GE1
Fig. 2 - Long endurance tool	RX2031J

Souriau UTSX series

1412 (Shell size 14, 12x#16)

Contacts #16

Contact style	Contact type	Cable acceptance		Part number	Wire Ø max		Insulator Ø max			
		AWG	inch ²		mm ²	inch	mm	inch	mm	
Crimp contacts	Machined	30-28	0.002"-0.003"	0.05-0.08	RM28M1K ⁽¹⁾	RC28M1K ⁽¹⁾	0.021"	0.55	0.039"	1.00
		26-24	0.005"-0.009"	0.13-0.25	RM24M9K ⁽¹⁾	RC24M9K ⁽¹⁾	0.031"	0.80	0.062"	1.58
		22-20	0.012"-0.020"	0.32-0.52	RM20M13K ⁽¹⁾	RC20M13K ⁽¹⁾	0.045"	1.15	0.070"	1.80
		22-20	0.012"-0.020"	0.32-0.52	RM20M12K ⁽¹⁾	RC20M12K ⁽¹⁾	0.045"	1.15	0.086"	2.20
		20-16	0.020"-0.059"	0.52-1.48	RM16M23K ⁽¹⁾	RC16M23K ⁽¹⁾	0.070"	1.80	0.125"	3.20
		16-14	0.059"-0.098"	1.48-2.48	RM14M30K ⁽¹⁾	RC14M30K ⁽¹⁾	0.090"	2.30	0.125"	3.20
	Stamped and formed reeled contacts See note ⁽²⁾ for loose piece	26-24	0.005"-0.009"	0.13-0.25	SM24M1TK6 ⁽¹⁾⁽²⁾	SC24M1TK6 ⁽¹⁾⁽²⁾	-	-	0.035"-0.062"	0.90-1.58
		22-20	0.012"-0.020"	0.32-0.52	SM20M1TK6 ⁽¹⁾⁽²⁾	SC20M1TK6 ⁽¹⁾⁽²⁾	-	-	0.047"-0.082"	1.20-2.10
		18-16	0.031"-0.059"	0.80-1.48	SM16M1TK6 ⁽¹⁾⁽²⁾	SC16M1TK6 ⁽¹⁾⁽²⁾	-	-	0.125"	3.20
		18-16	0.031"-0.059"	0.80-1.48	SM16M11TK6 ⁽¹⁾⁽²⁾	SC16M11TK6 ⁽¹⁾⁽²⁾	-	-	0.118"	3.00
		14	0.098"	2.48	SM14M1TK6 ⁽¹⁾⁽²⁾	SC14M1TK6 ⁽¹⁾⁽²⁾	-	-	0.125"	3.20
		PCB	Machined ⁽³⁾	-	-	RM20M12E83K ⁽¹⁾	RC20M12E84K ⁽¹⁾	-	-	-
Coaxial	Cable multipiece	see Page 202		RMDXK10D28	RCDXK1D28	-	-	-	-	
	Cable monocrimp	see Page 202		RMDX60xxD28	RCDX60xxD28	-	-	-	-	
	Twisted pair multipiece	see Page 202		RMDXK10D28 + yorx090	RCDXK1D28 + yorx090	-	-	-	-	
	Twisted pair monocrimp	see Page 202		RMDX60xxD28	RCDX60xxD28	-	-	-	-	
Fiber optic	POF contacts (Plastic optical fiber)	-	-	RMPOF1000	RCPOF1000B	-	-	-	-	
Hand solder	Loaded in the connector	14-18	0.098"-0.031"	2.48-0.80	-	-	-	-	-	

(1) Example of plating, for other plating see Page 198

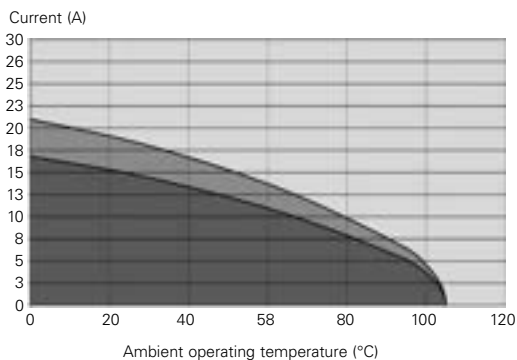
(2) Loose piece contact available by adding "L" after the "M" for the contact size and the plating. Example: SM20M1TK6 becomes SM20ML1TK6

(3) for dimensions see Page 205

Electrical characteristics

UL	CSA	IEC
16A 500V with AWG14 wire	16A 500V with AWG14 wire	10A 63V 1.5kV 3

UTSX 1412 derating curves



- Current use
- Limited use
- Not recommended use

Test conditions

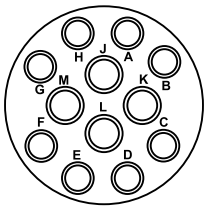
Contact used: machined contacts
Wires used: 20 AWG

Derating curves based on continuous current application.



Connector part number

UTSX 14E12/14D12



12 contacts 5A
250V per UL1977
with AWG20
wire 10A 600V
per UL1977 with
AWG16 wire
(qualification
pending)

Contact type	Connector type	Backshell	Part number Male insert	Female insert
Hand solder electrical contacts loaded see Page 136	Square flange receptacle	Without (Fig. 1)	UTSX014E12P	UTSX014E12S
	Plug	Without (Fig. 2)	UTSX614E12P	UTSX614E12S
	Plug	Cable gland (Fig. 3)	UTSX6JC14E12P	UTSX6JC14E12S
	Jam nut receptacle	Without (Fig. 4)	UTSX714E12P	UTSX714E12S
PCB contacts loaded see Page 136	Square flange receptacle	Without (Fig. 2)	UTSX014D12P	UTSX014D12S
	Jam nut receptacle with stand off and without hold down clip	Without (Fig. 5)	UTSX714D12P	UTSX714D12S
	Jam nut receptacle with stand off and with hold down clips	Without (Fig. 6)	UTSX714D12P32	UTSX714D12S32

For discrimination/keying methods see **Page 223**

Sealed unmated

Overmolded cable assembly part numbers

Please contact us directly for overmolded cable assemblies.

Souriau UTSX series

14E12/14D12 (Shell size 14, 8x#20, 4#16)

Dimensions (For mated connector lengths see Page 215)

Square flange receptacle - UTSX0

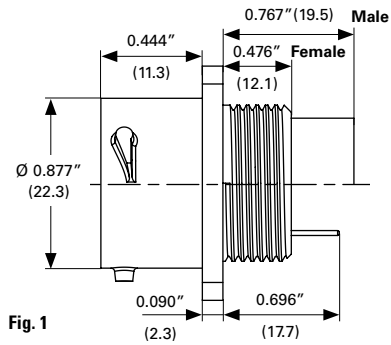
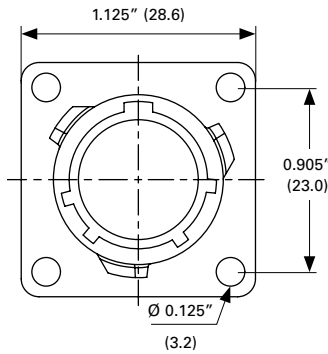


Fig. 1



Plug - UTSX6 and UTSX6JC

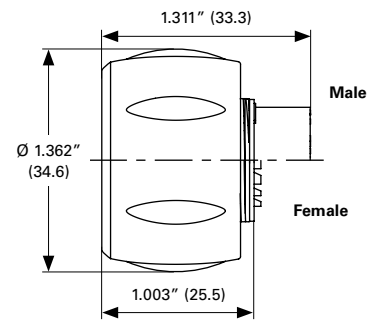


Fig. 2

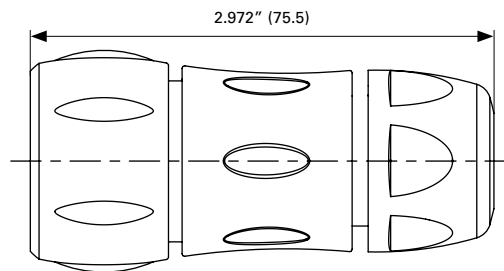


Fig. 3

Cable diameter acceptance: standard seal: from 0.275" to 0.551" (7 to 14), reduced seal: from 0.196" to 0.472" (5 to 12)

Jam nut receptacle UTSX7

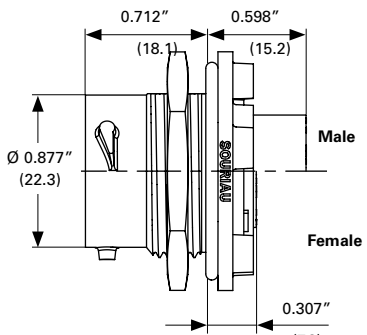


Fig. 4

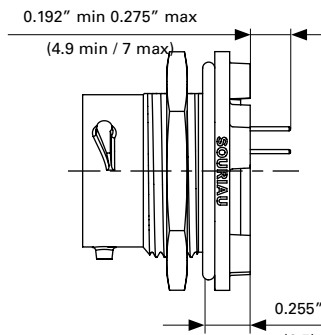


Fig. 5

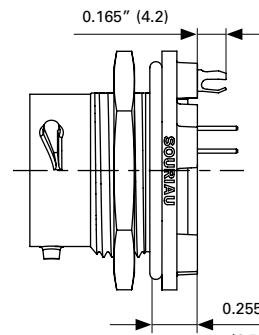
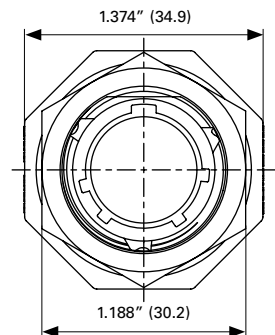
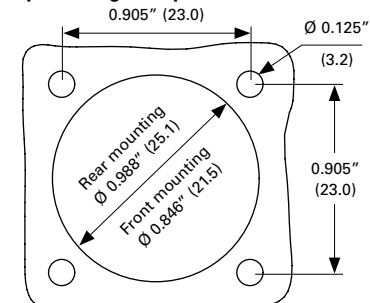


Fig. 6

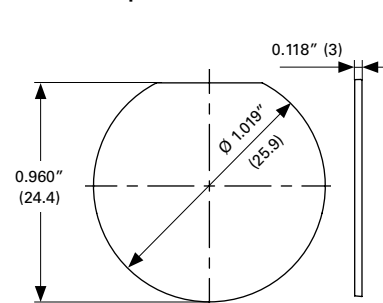


Panel cut out

Square flange receptacle - UTSX0



Jam nut receptacle - UTSX7



Dimensions in inches (millimeters)

Accessories

Jam nut and free hanging receptacle sealing caps



Description	Part number
IP68	UTS14DCG
IP68 - Metal terminal	UTS14DCGR

Square flange sealing cap



Description	Part number
IP68 - Metal terminal	UTS14DCGE

Plug sealing cap



Description	Part number
IP68	UTX614DCG

Plastic protective cap



Part number receptacle cap	Part number plug cap
85005588A	85005597

Gasket



Part number
UTFD14B

Color coding rings



Description	Part number receptacles	Part number plugs
G for Green	UTS714CCRG	UTS614CCRG
Y for Yellow	UTS714CCRY	UTS614CCRY
R for Red	UTS714CCRR	UTS614CCRR

Souriau UTSX series

14E12/14D12 (Shell size 14, 8x#20, 4#16)

Contacts

Contact size	Contact type	Plating	Cable acceptance (AWG)	Cable acceptance		Wire stripping length	
				inch ²	mm ²	inch	mm
#16	Hand solder Loaded in the connector	Min 0.4μ gold over 0.8μ Ni	18 - 14	0.032"-0.081"	0.823 - 2.08	0.196"	5
	PCB Machined ⁽¹⁾	Min 0.4μ gold over 0.8μ Ni	–	–	–	–	–
#20	Hand solder Loaded in the connector	Min 0.4μ gold over 0.8μ Ni	20 - 18	0.012"-0.029"	0.32 - 0.75	0.149"	3.8
	PCB Machined ⁽¹⁾	Min 0.4μ gold over 0.8μ Ni	–	–	–	–	–

(1) For dimensions see **Pages 205**

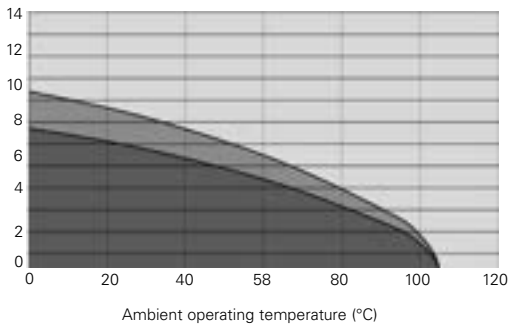
Electrical characteristics

UL	CSA	IEC
5A 250V with AWG20* 10A 600V with AWG16*	5A 250V with AWG20* 10A 600V with AWG16*	4A 50V 1.5kV 3

* qualification pending

UTSX 14E12/14D12 derating curves

Current (A)



- Current use
- Limited use
- Not recommended use

Test conditions

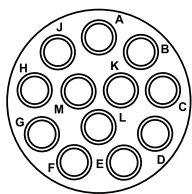
Contact used: machined contacts
Wires used: 20 AWG

Derating curves based on continuous current application.



Connector part number

UTSX 1492



12 contacts
0A/500V per
UL 1977 with
AWG16 wire

Contact type	Connector type	Backshell	Part number Male insert	Female insert
Crimp contacts supplied separately see Page 141	Square flange receptacle	Without (Fig. 1)	UTSX01492P	UTSX01492S
	Square flange receptacle	Cable gland (Fig. 2)	UTSX0JC1492P	UTSX0JC1492S
	Free hanging receptacle	Cable gland (Fig. 3)	UTSX1JC1492P	UTSX1JC1492S
	Plug	Without (Fig. 4)	UTSX61492P	UTSX61492S
	Plug	Cable gland (Fig. 5)	UTSX6JC1492P	UTSX6JC1492S
	Jam nut receptacle	Without (Fig. 6)	UTSX71492P	UTSX71492S
PCB contacts supplied separately see Page 141	Square flange receptacle	Without (Fig. 1)	UTSX01492P	UTSX01492S
	Jam nut receptacle	Without (Fig. 6)	UTSX71492P	UTSX71492S

For discrimination/keying methods see **Page 223**

Souriau UTSX series

1492 (Shell size 14, 12x#16)

Dimensions (For mated connector lengths see Page 215)

Square flange receptacle - UTSX0 and UTSX0JC

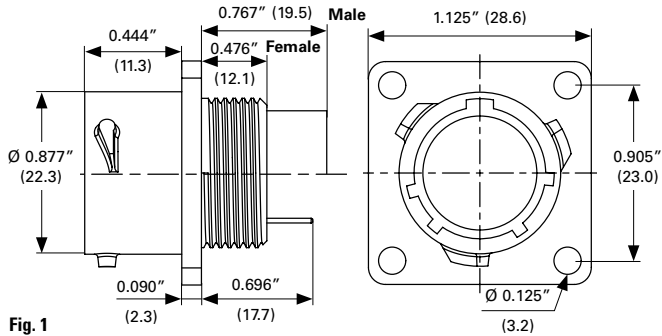


Fig. 1

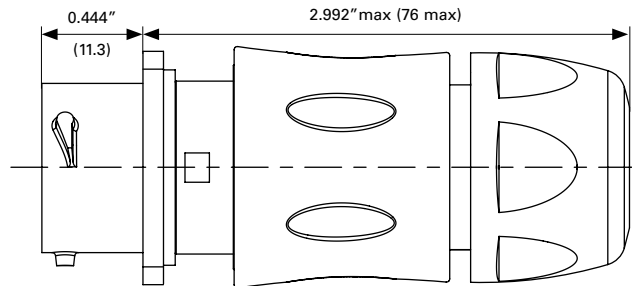


Fig. 2

Cable diameter acceptance: standard seal: from 0.275" to 0.551" (7 to 14), reduced seal: from 0.196" to 0.472" (5 to 12)

Free hanging - UTSX1JC

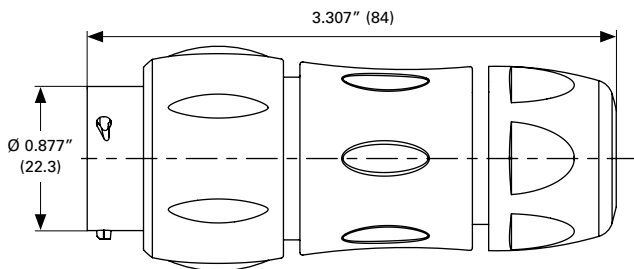


Fig. 3

Cable diameter acceptance: standard seal: from 0.275" to 0.551" (7 to 14), reduced seal: from 0.196" to 0.472" (5 to 12)

Plug - UTSX6 and UTSX6JC

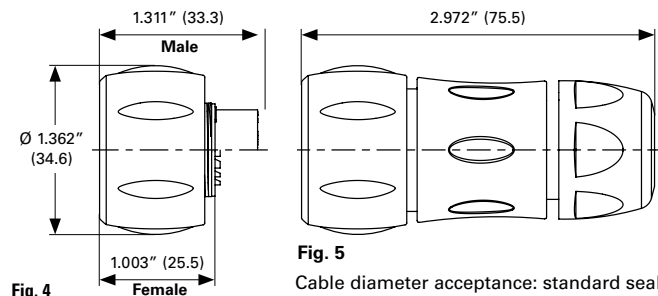


Fig. 4

Fig. 5

Cable diameter acceptance: standard seal: from 0.275" to 0.551" (7 to 14), reduced seal: from 0.196" to 0.472" (5 to 12)

Jam nut receptacle UTSX7

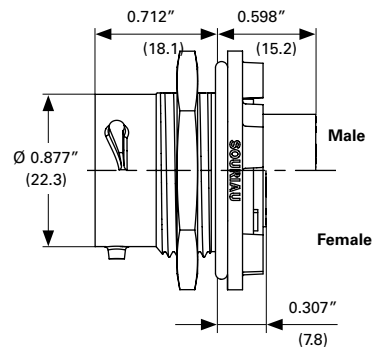


Fig. 6

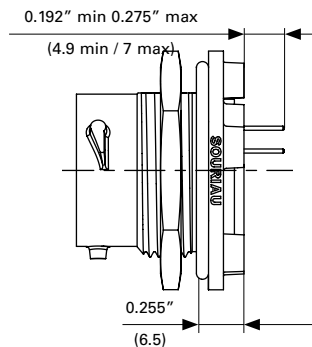
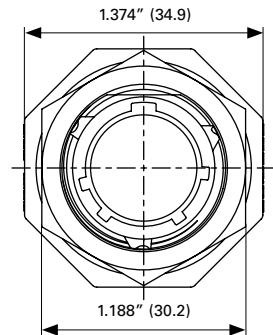
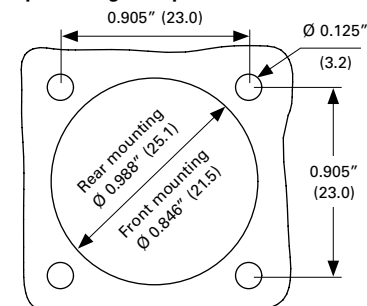


Fig. 7

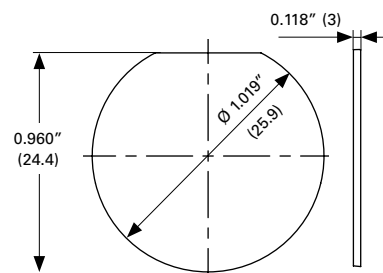


Panel cut out

Square flange receptacle - UTSX0



Jam nut receptacle - UTSX7



Dimensions in inches (millimeters)

Accessories

Jam nut and free hanging receptacle sealing caps



Description	Part number
IP68	UTS14DCG
IP68 - Metal terminal	UTS14DCGR

Square flange sealing cap



Description	Part number
IP68 - Metal terminal	UTS14DCGE

Plug sealing cap



Description	Part number
IP68	UTX614DCG

Plastic protective cap



Part number receptacle cap	Part number plug cap
85005588A	85005597

Gasket



Part number
UTFD14B

Color coding rings



Description	Part number receptacles	Part number plugs
G for Green	UTS714CCRG	UTS614CCRG
Y for Yellow	UTS714CCRY	UTS614CCRY
R for Red	UTS714CCRR	UTS614CCRR

Souriau UTSX series

1492 (Shell size 14, 12x#16)

Tooling

Tooling



Description	Part number
Handle (without head)	Shandles
Box containing handle and several crimp tooling	Toolkit

Crimp tooling (without Shandles)



Contact size	Contacts	Part number of Head
Standard contacts #16 Ø 0.062" (1.6)	RM/RC 28M1K ⁽¹⁾	S16RCM20*
	RM/RC 24M9K ⁽¹⁾	S16RCM20*
	RM/RC 20M13K ⁽¹⁾	S16RCM20*
	RM/RC 20M12K ⁽¹⁾	S16RCM20*
	RM/RC 16M23K ⁽¹⁾	S16RCM16*
	RM/RC 14M30K ⁽¹⁾	S16RCM14*
	SM/SC 24ML1TK6 ⁽¹⁾	S16SCM20*
	SM/SC 20ML1TK6 ⁽¹⁾	S16SCM20*
	SM/SC 16ML1TK6 ⁽¹⁾	S16SCML1*
	SM/SC 14ML1TK6 ⁽¹⁾	S16SCML1*
	SM/SC 16ML11TK6 ⁽¹⁾	S16SCML11*

(1) Example of plating, for other plating options see [Page 198](#)
* Heads to be used with handle PN: SHANGLES

#16, #12 and #8 machined contacts



Description	Part number
Crimp tool	M20S-1J
Die casts and stop bushings	See Page 210

Extraction tool #16

Fig. 1



Fig. 2



Description	Part number
Fig. 1	RX2025GE1
Fig. 2 - Long endurance tool	RX2031J

Contacts #16

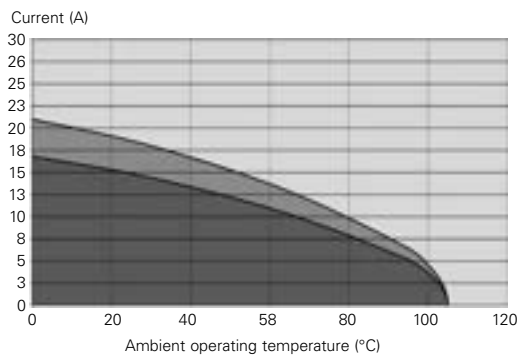
Contact style	Contact type	Cable acceptance		Part number		Wire Ø max		Insulator Ø max		
		AWG	inch ²	mm ²	Male	Female	inch	mm	inch	mm
Crimp contacts	Machined	30-28	0.002"-0.003"	0.05-0.08	RM28M1K ⁽¹⁾	RC28M1K ⁽¹⁾	0.021"	0.55	0.039"	1.00
		26-24	0.005"-0.009"	0.13-0.25	RM24M9K ⁽¹⁾	RC24M9K ⁽¹⁾	0.031"	0.80	0.062"	1.58
		22-20	0.012"-0.020"	0.32-0.52	RM20M13K ⁽¹⁾	RC20M13K ⁽¹⁾	0.045"	1.15	0.070"	1.80
		22-20	0.012"-0.020"	0.32-0.52	RM20M12K ⁽¹⁾	RC20M12K ⁽¹⁾	0.045"	1.15	0.086"	2.20
		20-16	0.020"-0.059"	0.52-1.48	RM16M23K ⁽¹⁾	RC16M23K ⁽¹⁾	0.070"	1.80	0.125"	3.20
		16-14	0.059"-0.098"	1.48-2.48	RM14M30K ⁽¹⁾	RC14M30K ⁽¹⁾	0.090"	2.30	0.125"	3.20
	Stamped and formed reeled contacts See note ⁽²⁾ for loose piece	26-24	0.005"-0.009"	0.13-0.25	SM24M1TK6 ⁽¹⁾⁽²⁾	SC24M1TK6 ⁽¹⁾⁽²⁾	-	-	0.035"-0.062"	0.90-1.58
		22-20	0.012"-0.020"	0.32-0.52	SM20M1TK6 ⁽¹⁾⁽²⁾	SC20M1TK6 ⁽¹⁾⁽²⁾	-	-	0.047"-0.082"	1.20-2.10
		18-16	0.031"-0.059"	0.80-1.48	SM16M1TK6 ⁽¹⁾⁽²⁾	SC16M1TK6 ⁽¹⁾⁽²⁾	-	-	0.125"	3.20
		18-16	0.031"-0.059"	0.80-1.48	SM16M11TK6 ⁽¹⁾⁽²⁾	SC16M11TK6 ⁽¹⁾⁽²⁾	-	-	0.118"	3.00
		14	0.098"	2.48	SM14M1TK6 ⁽¹⁾⁽²⁾	SC14M1TK6 ⁽¹⁾⁽²⁾	-	-	0.125"	3.20
PCB	Machined ⁽³⁾	-	-	-	RM20M12E83K ⁽¹⁾	RC20M12E84K ⁽¹⁾	-	-	-	-
Coaxial	Cable multipiece	see Page 202			RMDXK10D28	RCDXK1D28	-	-	-	-
	Cable monocrimp	see Page 202			RMDX60xxD28	RCDX60xxD28	-	-	-	-
	Twisted pair multipiece	see Page 202			RMDXK10D28 + yorx090	RCDXK1D28 + yorx090	-	-	-	-
	Twisted pair monocrimp	see Page 202			RMDX60xxD28	RCDX60xxD28	-	-	-	-
Fiber optic	POF contacts (Plastic optical fiber)	-	-	-	RMPOF1000	RCPOF1000B	-	-	-	-
Handsold	Loaded in the connector	14-18	0.098"-0.031"	2.48-0.80	-	-	-	-	-	-

(1) Example of plating, for other plating see Page 198
 (2) Loose piece contact available by adding "L" after the "M" for the contact size and the plating. Example: SM20M1TK6 becomes SM20ML1TK6
 (3) for dimensions see Page 205

Electrical characteristics

UL	CSA	IEC
10A 500V with AWG16 wire	7A 500V with AWG16 wire	10A 63V 1.5kV 3

UTSX 1412 derating curves



- Current use
- Limited use
- Not recommended use

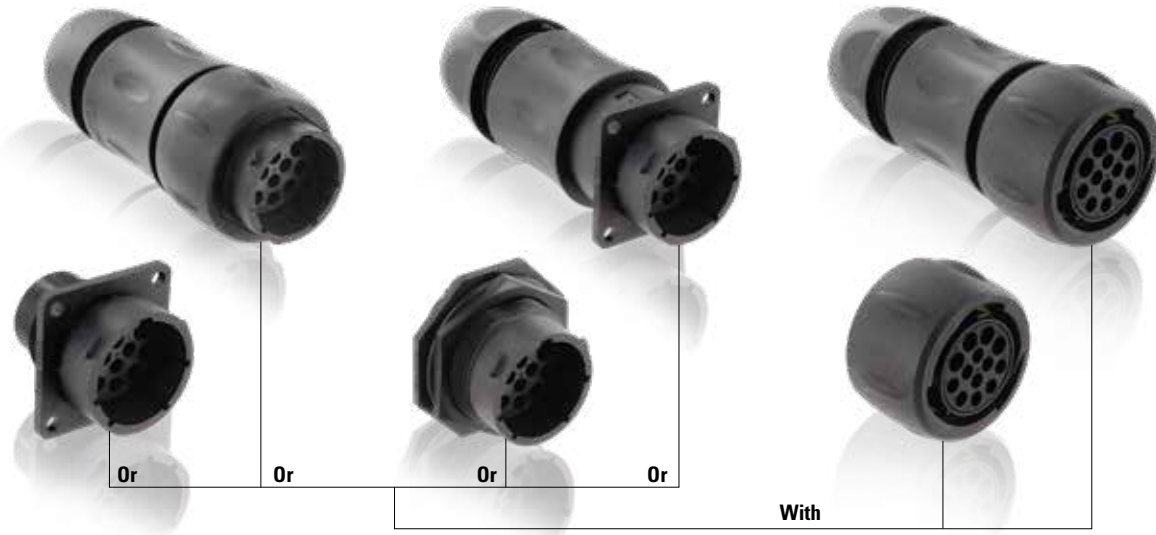
Test conditions

Contact used: machined contacts
 Wires used: 16 AWG

Derating curves based on continuous current application.

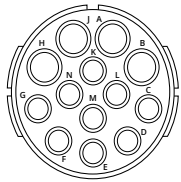
Souriau UTSX series

1613 (Shell size 16, 4 x #12, 9 x #16)



Connector part number

UTSX 1613



13 contacts
23A/600V per UL 1977
with AWG12 wire

Contact type	Connector type	Backshell	Part number Male insert	Female insert
Crimp contacts supplied separately see Page 146	Square flange receptacle	Without (Fig. 1)	UTSX01613P	UTSX01613S
	Square flange receptacle	Cable gland (Fig. 2)	UTSX0JC1613P	UTSX0JC1613S
	Free hanging receptacle	Cable gland (Fig. 3)	UTSX1JC1613P	UTSX1JC1613S
	Plug	Without (Fig. 4)	UTSX61613P	UTSX61613S
	Plug	Cable gland (Fig. 5)	UTSX6JC1613P	UTSX6JC1613S
	Jam nut receptacle	Without (Fig. 6)	UTSX71613P	UTSX71613S
	Jam nut receptacle with stand off and with hold down clips	Without (Fig. 8)	UTSX71613P32	UTSX71613S32
	PCB contacts supplied separately see Page 146	Square flange receptacle	Without (Fig. 1)	UTSX01613P
Jam nut receptacle		Without (Fig. 7)	UTSX71613P	UTSX71613S

For discrimination/keying methods see **Page 223**

Overmolded cable assembly part numbers

Please contact us directly for overmolded cable assemblies.

Dimensions (For mated connector lengths see Page 215)

Square flange receptacle - UTSX0 and UTSX0JC

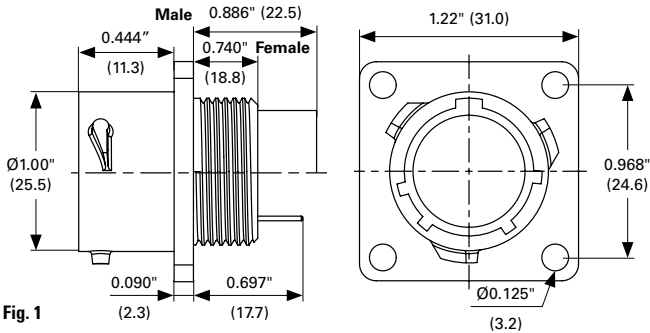


Fig. 1

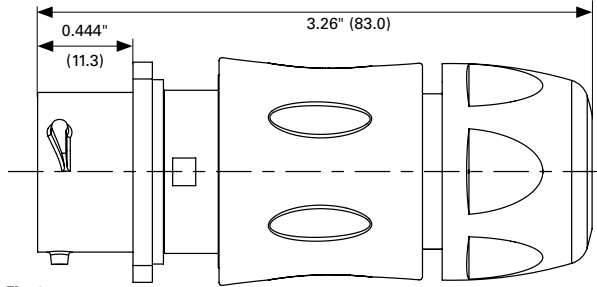


Fig. 2

Cable diameter acceptance: standard seal: from 0.472" to 0.630" (12 to 16), reduced seal: from 0.354" to 0.472" (9 to 12).

Free hanging - UTSX1JC and UTSXGJC

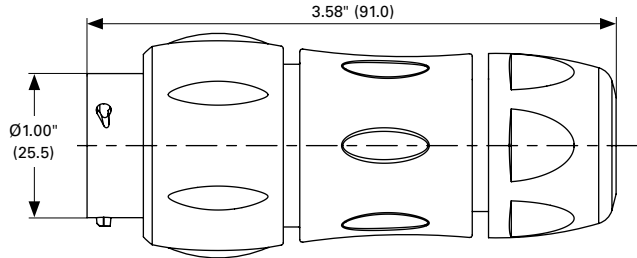


Fig. 3

Cable diameter acceptance: standard seal: from 0.472" to 0.630" (12 to 16), reduced seal: from 0.354" to 0.472" (9 to 12).

Plug - UTSX6 and UTSX6JC

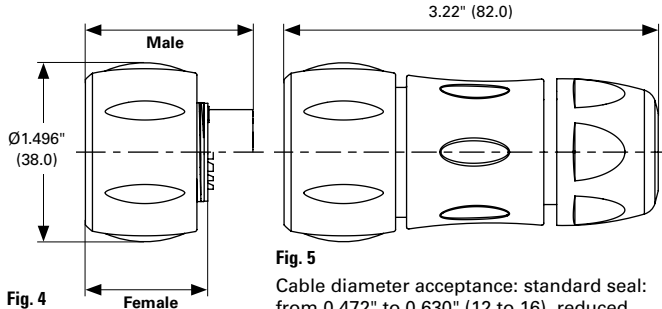


Fig. 4

Fig. 5

Cable diameter acceptance: standard seal: from 0.472" to 0.630" (12 to 16), reduced seal: from 0.354" to 0.472" (9 to 12).

Jam nut receptacle UTSX7

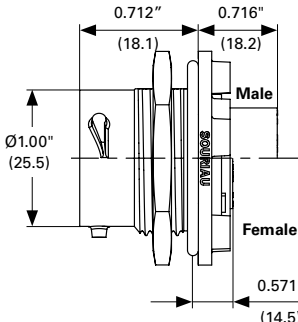


Fig. 6

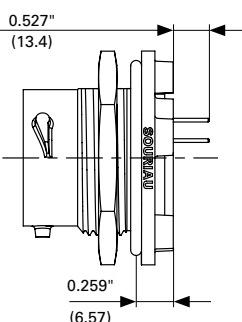


Fig. 7

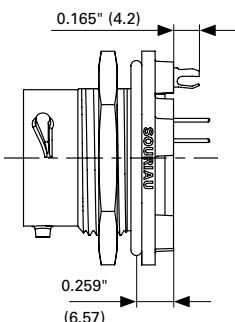
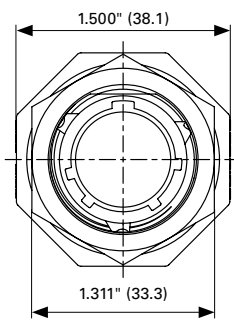
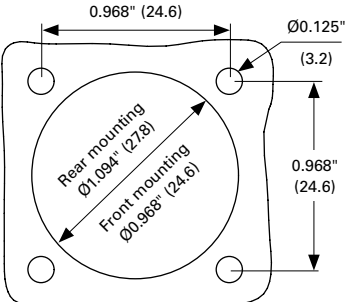


Fig. 8

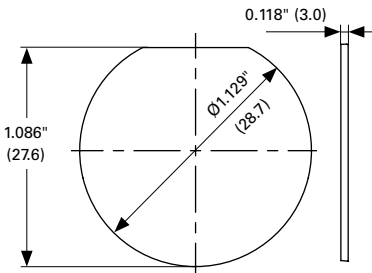


Panel cut out

Square flange receptacle - UTSX0



Jam nut receptacle - UTSX7



Dimensions in inches (millimeters)

Souriau UTSX series

1613 (Shell size 16, 4 x #12, 9 x #16)

Accessories

Jam nut and free hanging receptacle sealing caps



Description	Part number
IP68	UTS16DCG
IP68 - Metal terminal	UTS16DCGR

Square flange sealing cap



Description	Part number
IP68 - Metal terminal	UTS16DCGE

Plug sealing cap



Description	Part number
IP68	UTS616DCG

Plastic protective cap



Part number receptacle cap	Part number plug cap
85005589A	85005598

Gasket



Part number
UTFD15B

Color coding rings



Description	Part number receptacles	Part number plugs
G for Green	UTS716CCRG	UTS616CCRG
Y for Yellow	UTS716CCRY	UTS616CCRY
R for Red	UTS716CCRR	UTS616CCRR

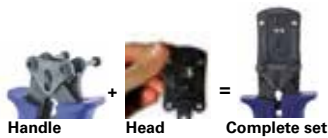
Tooling

Tooling



Description	Part number
Handle (without head)	Shandles
Box containing handle and several crimp tooling	Toolkit

Crimp tooling (without Shandles)



Contact size	Contacts	Part number of Head
Standard contacts #16 Ø 0.062" (1.6)	RM/RC 28M1K ⁽¹⁾	S16RCM20*
	RM/RC 24M9K ⁽¹⁾	S16RCM20*
	RM/RC 20M13K ⁽¹⁾	S16RCM20*
	RM/RC 20M12K ⁽¹⁾	S16RCM20*
	RM/RC 16M23K ⁽¹⁾	S16RCM16*
	RM/RC 14M30K ⁽¹⁾	S16RCM14*
	SM/SC 24ML1TK6 ⁽¹⁾	S16SCM20*
	SM/SC 20ML1TK6 ⁽¹⁾	S16SCM20*
	SM/SC 16ML1TK6 ⁽¹⁾	S16SCML1*
	SM/SC 14ML1TK6 ⁽¹⁾	S16SCML1*
	SM/SC 16ML11TK6 ⁽¹⁾	S16SCML11*

(1) Example of plating, for other plating options see **Page 198**
* Heads to be used with handle PN: SHANGLES

#16, #12 and #8 machined contacts



Description	Part number
Crimp tool	M20S-1J
Die casts and stop bushings	See Page 210

Extraction tool #16

Fig. 1



Fig. 2



Description	Part number
Fig. 1	RX2025GE1
Fig. 2 - Long endurance tool	RX2031J

Crimp tooling #12



Contact size	Part number hand tool	Part number positioner + locator setting
Standard contacts #12 Ø 0.094" (2.4)	M317	VGE10077A

Souriau UTSX series

1613 (Shell size 16, 4 x #12, 9 x #16)

Contacts #12

Contact style	Contact type	Cable acceptance		Part number		Wire Ø max		Insulator Ø max		
		AWG	inch ²	mm ²	Male	Female	inch	mm	inch	mm
Crimp contacts	Machined	20	0.020"	0.52	82911457NA	82911456A	0.034"	0.87	0.192"	4.90
		20	0.020"	0.52	82911459NA	82911458A	0.044"	1.12	0.192"	4.90
		18	0.031"	0.80	82911461NA	82911460A	0.055"	1.42	0.192"	4.90
		16	0.059"	1.48	82911463NA	82911462A	0.067"	1.72	0.192"	4.90
		14	0.098"	2.48	82911465NA	82911464A	0.087"	2.20	0.192"	4.90
		12	0.157"	4.00	82911467NA	82911466A	0.111"	2.82	0.192"	4.90

Contacts #16

Contact style	Contact type	Cable acceptance		Part number		Wire Ø max		Insulator Ø max		
		AWG	inch ²	mm ²	Male	Female	inch	mm	inch	mm
Crimp contacts	Machined	30-28	0.002"-0.003"	0.05-0.08	RM28M1K ⁽¹⁾	RC28M1K ⁽¹⁾	0.021"	0.55	0.039"	1.00
		26-24	0.005"-0.009"	0.13-0.25	RM24M9K ⁽¹⁾	RC24M9K ⁽¹⁾	0.031"	0.80	0.062"	1.58
		22-20	0.012"-0.020"	0.32-0.52	RM20M13K ⁽¹⁾	RC20M13K ⁽¹⁾	0.045"	1.15	0.070"	1.80
		22-20	0.012"-0.020"	0.32-0.52	RM20M12K ⁽¹⁾	RC20M12K ⁽¹⁾	0.045"	1.15	0.086"	2.20
		20-16	0.020"-0.059"	0.52-1.48	RM16M23K ⁽¹⁾	RC16M23K ⁽¹⁾	0.070"	1.80	0.125"	3.20
		16-14	0.059"-0.098"	1.48-2.48	RM14M30K ⁽¹⁾	RC14M30K ⁽¹⁾	0.090"	2.30	0.125"	3.20
		Stamped and formed reeled contacts See note ⁽²⁾ for loose piece	26-24	0.005"-0.009"	0.13-0.25	SM24M1TK6 ⁽¹⁾⁽²⁾	SC24M1TK6 ⁽¹⁾⁽²⁾	–	–	0.035"-0.062"
	22-20		0.012"-0.020"	0.32-0.52	SM20M1TK6 ⁽¹⁾⁽²⁾	SC20M1TK6 ⁽¹⁾⁽²⁾	–	–	0.047"-0.082"	1.20-2.10
	18-16		0.031"-0.059"	0.80-1.48	SM16M1TK6 ⁽¹⁾⁽²⁾	SC16M1TK6 ⁽¹⁾⁽²⁾	–	–	0.125"	3.20
	18-16		0.031"-0.059"	0.80-1.48	SM16M11TK6 ⁽¹⁾⁽²⁾	SC16M11TK6 ⁽¹⁾⁽²⁾	–	–	0.118"	3.00
	14		0.098"	2.48	SM14M1TK6 ⁽¹⁾⁽²⁾	SC14M1TK6 ⁽¹⁾⁽²⁾	–	–	0.125"	3.20
	PCB		Machined ⁽³⁾	–	–	–	–	–	–	–
	Coaxial	Cable multipiece	see Page 202		–	–	–	–	–	–
Cable monocrimp		see Page 202		–	–	–	–	–	–	
Twisted pair multipiece		see Page 202		–	–	–	–	–	–	
Twisted pair monocrimp		see Page 202		–	–	–	–	–	–	
Fiber optic	POF contacts (Plastic optical fiber)	–	–	–	–	–	–	–	–	
Hand solder	Loaded in the connector	14-18	0.098"-0.031"	2.48-0.80	–	–	–	–	–	

(1) Example of plating, for other plating see Page 198

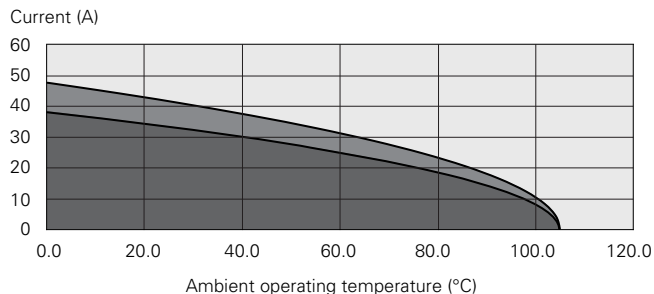
(2) Loose piece contact available by adding "L" after the "M" for the contact size and the plating. Example: SM20M1TK6 becomes SM20ML1TK6

(3) for dimensions see Page 205

Electrical characteristics

UL	CSA	IEC
UTSX 1613 23A 600V with AWG12 wire	23A 600V with AWG12 wire	23A 160V 2.5kV 3

UTSX 1613 derating curves

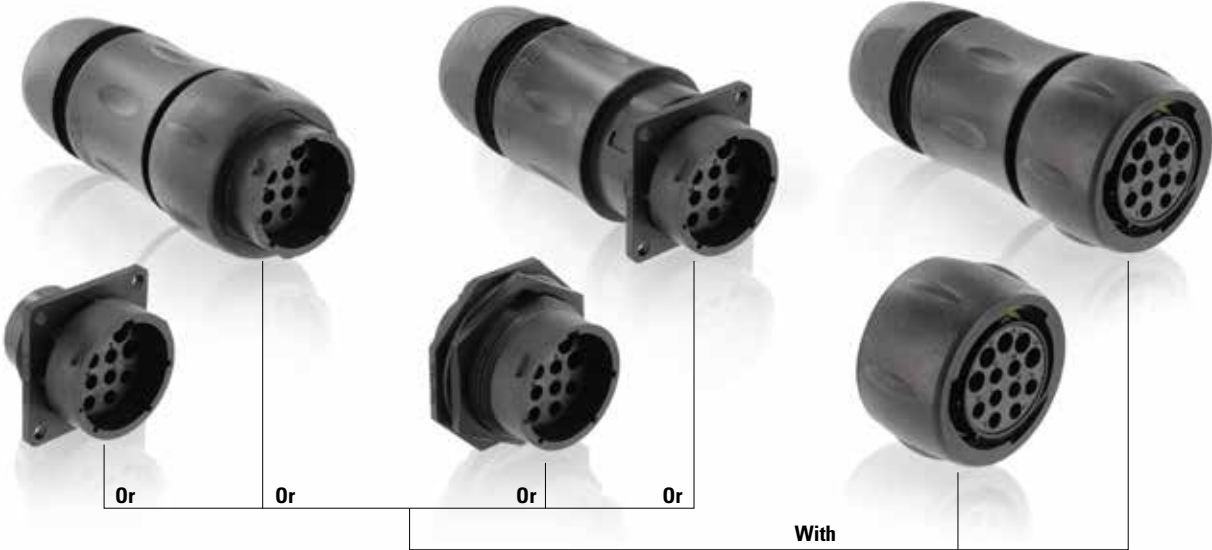


- Current use
- Limited use
- Not recommended use

Test conditions

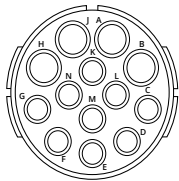
Contact used: machined contacts
Wires used: 12 AWG

Derating curves based on continuous current application.



Connector part number

UTSX 1813



13 contacts
23A/600V per UL 1977
with AWG12 wire

Contact type	Connector type	Backshell	Part number Male insert	Female insert
Crimp contacts supplied separately see Page 151	Square flange receptacle	Without (Fig. 1)	UTSX01813P	UTSX01813S
	Square flange receptacle	Cable gland (Fig. 2)	UTSX0JC1813P	UTSX0JC1813S
	Free hanging receptacle	Cable gland (Fig. 3)	UTSX1JC1813P	UTSX1JC1813S
	Plug	Without (Fig. 4)	UTSX61813P	UTSX61813S
	Plug	Cable gland (Fig. 5)	UTSX6JC1813P	UTSX6JC1813S
	Jam nut receptacle	Without (Fig. 6)	UTSX71813P	UTSX71813S
	Jam nut receptacle with stand off and with hold down clips	Without (Fig. 8)	UTSX71813P32	UTSX71813S32
PCB contacts supplied separately see Page 151	Square flange receptacle	Without (Fig. 1)	UTSX01813P	UTSX01813S
	Jam nut receptacle	Without (Fig. 7)	UTSX71813P	UTSX71813S

For discrimination/keying methods see **Page 223**

Overmolded cable assembly part numbers

Please contact us directly for overmolded cable assemblies.

Souriau UTSX series

1813 (Shell size 18, 5 x #12, 8 x #16)

Dimensions (For mated connector lengths see Page 215)

Square flange receptacle - UTSX0 and UTSX0JC

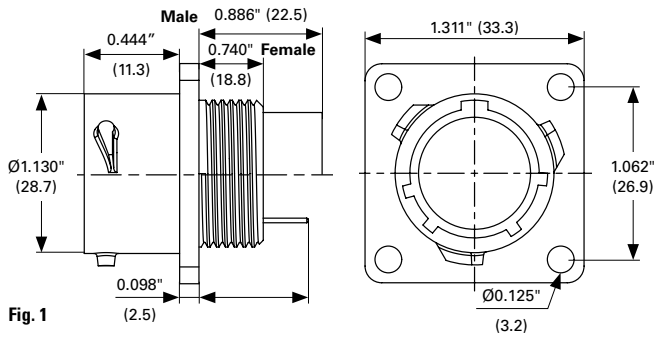


Fig. 1

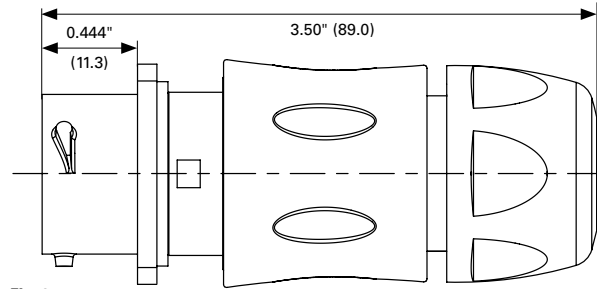


Fig. 2

Cable diameter acceptance: standard seal: from 0.512" to 0.709" (13 to 18), reduced seal: from 0.433" to 0.590" (11 to 15).

Free hanging - UTSX1JC and UTSXGJC

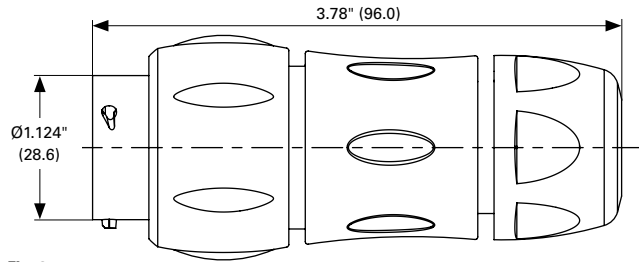


Fig. 3

Cable diameter acceptance: standard seal: from 0.512" to 0.709" (13 to 18), reduced seal: from 0.433" to 0.590" (11 to 15).

Plug - UTSX6 and UTSX6JC

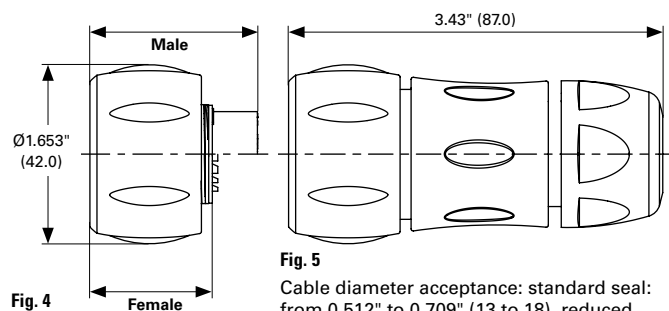


Fig. 4

Fig. 5

Cable diameter acceptance: standard seal: from 0.512" to 0.709" (13 to 18), reduced seal: from 0.433" to 0.590" (11 to 15).

Jam nut receptacle UTSX7

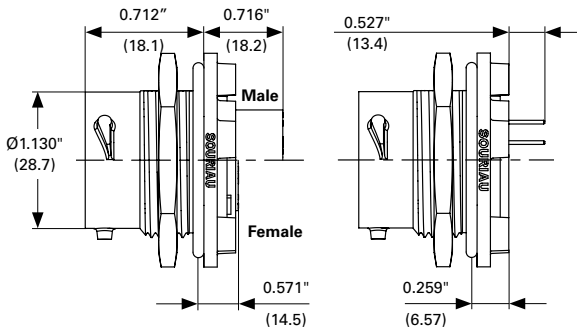


Fig. 6

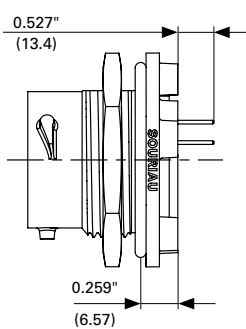


Fig. 7

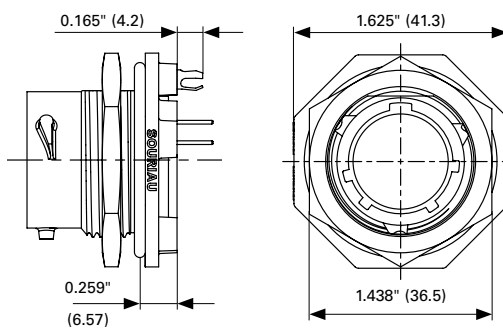
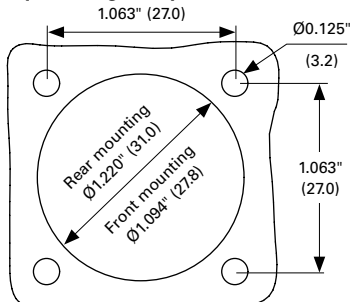


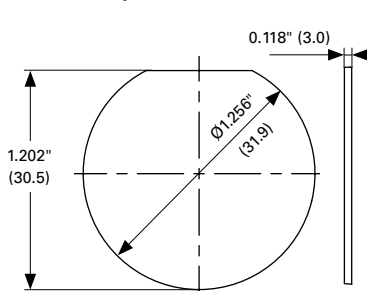
Fig. 8

Panel cut out

Square flange receptacle - UTSX0



Jam nut receptacle - UTSX7



Dimensions in inches (millimeters)

Accessories

Jam nut and free hanging receptacle sealing caps



Description	Part number
IP68	UTS18DCG
IP68 - Metal terminal	UTS18DCGR

Square flange sealing cap



Description	Part number
IP68 - Metal terminal	UTS18DCGE

Plug sealing cap



Description	Part number
IP68	UTS618DCG

Plastic protective cap



Part number receptacle cap	Part number plug cap
85005590A	85005599

Gasket



Part number
UTFD16B

Color coding rings



Description	Part number receptacles	Part number plugs
G for Green	UTS718CCRG	UTS618CCRG
Y for Yellow	UTS718CCRY	UTS618CCRY
R for Red	UTS718CCRR	UTS618CCRR

Souriau UTSX series

1813 (Shell size 18, 5 x #12, 8 x #16)

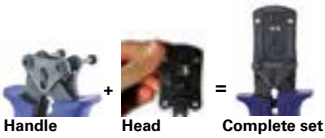
Tooling

Tooling



Description	Part number
Handle (without head)	Shandles
Box containing handle and several crimp tooling	Toolkit

Crimp tooling (without Shandles)



Contact size	Contacts	Part number of Head
Standard contacts #16 Ø 0.062" (1.6)	RM/RC 28M1K ⁽¹⁾	S16RCM20*
	RM/RC 24M9K ⁽¹⁾	S16RCM20*
	RM/RC 20M13K ⁽¹⁾	S16RCM20*
	RM/RC 20M12K ⁽¹⁾	S16RCM20*
	RM/RC 16M23K ⁽¹⁾	S16RCM16*
	RM/RC 14M30K ⁽¹⁾	S16RCM14*
	SM/SC 24ML1TK6 ⁽¹⁾	S16SCM20*
	SM/SC 20ML1TK6 ⁽¹⁾	S16SCM20*
	SM/SC 16ML1TK6 ⁽¹⁾	S16SCML1*
	SM/SC 14ML1TK6 ⁽¹⁾	S16SCML1*
	SM/SC 16ML11TK6 ⁽¹⁾	S16SCML11*

(1) Example of plating, for other plating options see **Page 198**
* Heads to be used with handle PN: SHANDLES

#16, #12 and #8 machined contacts



Description	Part number
Crimp tool	M20S-1J
Die casts and stop bushings	See Page 210

Extraction tool #16



Description	Part number
Fig. 1	RX2025GE1
Fig. 2 - Long endurance tool	RX2031J

Crimp tooling #12



Contact size	Part number hand tool	Part number positioner + locator setting
Standard contacts #12 Ø 0.094" (2.4)	M317	VGE10077A

Contacts #12

Contact style	Contact type	Cable acceptance		Part number		Wire Ø max		Insulator Ø max		
		AWG	inch ²	mm ²	Male	Female	inch	mm	inch	mm
Crimp contacts	Machined	20	0.020"	0.52	82911457NA	82911456A	0.034"	0.87	0.192"	4.90
		20	0.020"	0.52	82911459NA	82911458A	0.044"	1.12	0.192"	4.90
		18	0.031"	0.80	82911461NA	82911460A	0.055"	1.42	0.192"	4.90
		16	0.059"	1.48	82911463NA	82911462A	0.067"	1.72	0.192"	4.90
		14	0.098"	2.48	82911465NA	82911464A	0.087"	2.20	0.192"	4.90
		12	0.157"	4.00	82911467NA	82911466A	0.111"	2.82	0.192"	4.90

Contacts #16

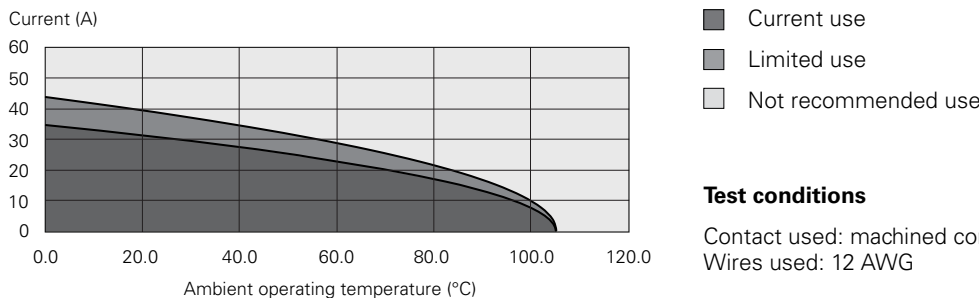
Contact style	Contact type	Cable acceptance		Part number		Wire Ø max		Insulator Ø max		
		AWG	inch ²	mm ²	Male	Female	inch	mm	inch	mm
Crimp contacts	Machined	30-28	0.002"-0.003"	0.05-0.08	RM28M1K ⁽¹⁾	RC28M1K ⁽¹⁾	0.021"	0.55	0.039"	1.00
		26-24	0.005"-0.009"	0.13-0.25	RM24M9K ⁽¹⁾	RC24M9K ⁽¹⁾	0.031"	0.80	0.062"	1.58
		22-20	0.012"-0.020"	0.32-0.52	RM20M13K ⁽¹⁾	RC20M13K ⁽¹⁾	0.045"	1.15	0.070"	1.80
		22-20	0.012"-0.020"	0.32-0.52	RM20M12K ⁽¹⁾	RC20M12K ⁽¹⁾	0.045"	1.15	0.086"	2.20
		20-16	0.020"-0.059"	0.52-1.48	RM16M23K ⁽¹⁾	RC16M23K ⁽¹⁾	0.070"	1.80	0.125"	3.20
		16-14	0.059"-0.098"	1.48-2.48	RM14M30K ⁽¹⁾	RC14M30K ⁽¹⁾	0.090"	2.30	0.125"	3.20
		Stamped and formed reeled contacts See note ⁽²⁾ for loose piece	26-24	0.005"-0.009"	0.13-0.25	SM24M1TK6 ⁽¹⁾⁽²⁾	SC24M1TK6 ⁽¹⁾⁽²⁾	–	–	0.035"-0.062"
	22-20		0.012"-0.020"	0.32-0.52	SM20M1TK6 ⁽¹⁾⁽²⁾	SC20M1TK6 ⁽¹⁾⁽²⁾	–	–	0.047"-0.082"	1.20-2.10
	18-16		0.031"-0.059"	0.80-1.48	SM16M1TK6 ⁽¹⁾⁽²⁾	SC16M1TK6 ⁽¹⁾⁽²⁾	–	–	0.125"	3.20
	18-16		0.031"-0.059"	0.80-1.48	SM16M11TK6 ⁽¹⁾⁽²⁾	SC16M11TK6 ⁽¹⁾⁽²⁾	–	–	0.118"	3.00
	14		0.098"	2.48	SM14M1TK6 ⁽¹⁾⁽²⁾	SC14M1TK6 ⁽¹⁾⁽²⁾	–	–	0.125"	3.20
	PCB		Machined ⁽³⁾	–	–	–	–	–	–	–
	Coaxial	Cable multipiece	see Page 202	–	–	RMDXK10D28	RCDXK1D28	–	–	–
Cable monocrimp		see Page 202	–	–	RMDX60xxD28	RCDX60xxD28	–	–	–	–
Twisted pair multipiece		see Page 202	–	–	RMDXK10D28 + yorx090	RCDXK1D28 + yorx090	–	–	–	–
Twisted pair monocrimp		see Page 202	–	–	RMDX60xxD28	RCDX60xxD28	–	–	–	–
Fiber optic	POF contacts (Plastic optical fiber)	–	–	–	–	–	–	–	–	
Hand solder	Loaded in the connector	14-18	0.098"-0.031"	2.48-0.80	–	–	–	–	–	–

(1) Example of plating, for other plating see Page 198
 (2) Loose piece contact available by adding "L" after the "M" for the contact size and the plating. Example: SM20M1TK6 becomes SM20ML1TK6
 (3) for dimensions see Page 205

Electrical characteristics

UL	CSA	IEC
UTSX 1813 23A 600V with AWG12	23A 600V with AWG12	23A 160V 2.5kV 3

UTSX 1813 derating curves



Derating curves based on continuous current application.

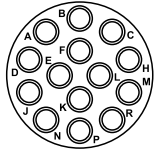
Souriau UTSX series

12E14/12D14 (Shell size 12, 14x20)



Connector part number

UTSX 12E14/12D14



14 contacts
4.5A/250V per
UL 1977 with
AWG20 wire

Contact type	Connector type	Backshell	Part number Male insert	Female insert
Hand solder electrical contacts loaded see Page 155	Square flange receptacle	Without (Fig. 1)	UTSX012E14P	UTSX012E14S
	Plug	Without (Fig. 2)	UTSX612E14P	UTSX612E14S
	Plug	Cable gland (Fig. 3)	UTSX6JC12E14P	UTSX6JC12E14S
	Jam nut receptacle	Without (Fig. 4)	UTSX712E14P	UTSX712E14S
PCB contacts loaded see Page 155	Square flange receptacle	Without (Fig. 1)	UTSX012D14P	UTSX012D14S
	Jam nut receptacle with stand off and without hold down clip	Without (Fig. 5)	UTSX712D14P	UTSX712D14S
	Jam nut receptacle with stand off and with hold down clips	Without (Fig. 6)	UTSX712D14P32	UTSX712D14S32

For discrimination/keying methods see **Page 223**

Sealed unmated

Overmolded cable assembly part numbers

Please contact us directly for overmolded cable assemblies.

Dimensions (For mated connector lengths see Page 215)

Square flange receptacle - UTSX0

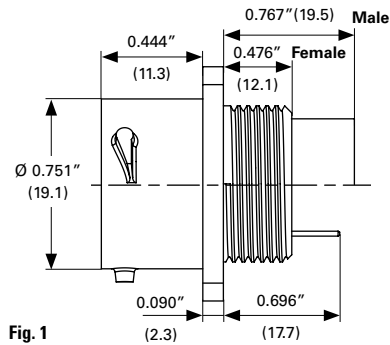
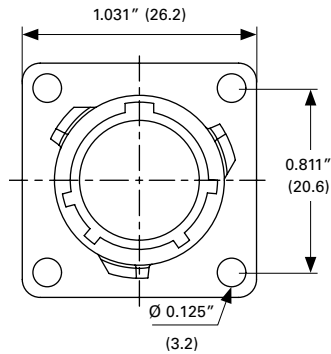


Fig. 1



Plug - UTSX6 and UTSX6JC

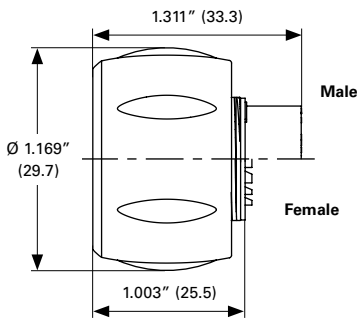


Fig. 2

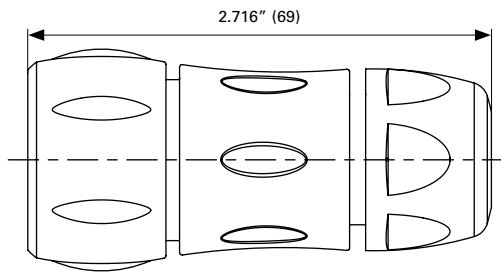


Fig. 3

Cable diameter acceptance: standard seal: from 0.098" to 0.472" (5 to 12), reduced seal: from 0.118" to 0.354" (3 to 9)

Jam nut receptacle UTSX7

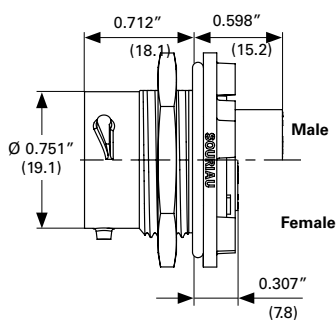


Fig. 4

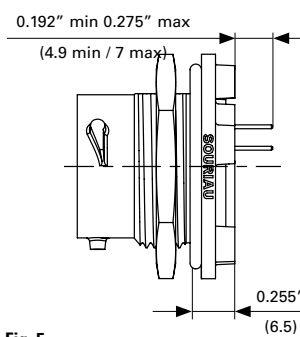


Fig. 5

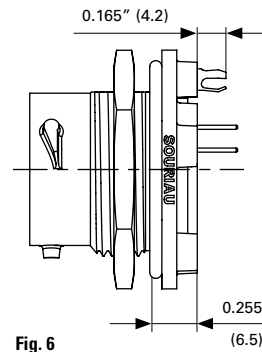
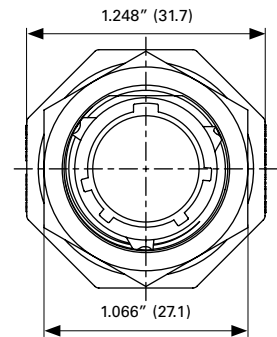
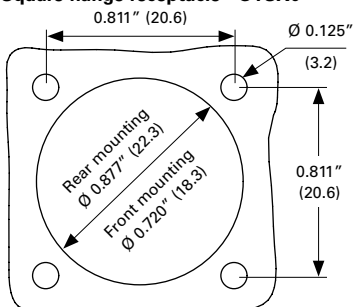


Fig. 6



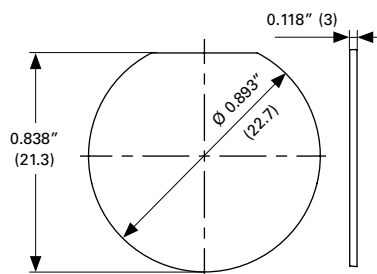
Panel cut out

Square flange receptacle - UTSX0



Dimensions in inches (millimeters)

Jam nut receptacle - UTSX7



Souriau UTSX series

12E14/12D14 (Shell size 12, 14x20)

Accessories

Jam nut and free hanging receptacle sealing caps



Description	Part number
IP68	UTS12DCG
IP68 - Metal terminal	UTS12DCGR

Plug sealing cap



Description	Part number
IP68	UTX612DCG

Plastic protective cap



Part number receptacle cap	Part number plug cap
85005587A	85005596

Gasket



Part number
UTFD13B

Color coding rings



Description	Part number receptacles	Part number plugs
G for Green	UTS712CCRG	UTS612CCRG
Y for Yellow	UTS712CCRY	UTS612CCRY
R for Red	UTS712CCRR	UTS612CCRR

Square flange sealing cap



Description	Part number
IP68 - Metal terminal	UTS12DCGE

Contacts #20

Contact type	Plating	Cable acceptance		Wire stripping length		
		(AWG)	inch ²	mm ²	inch	mm
Hand solder Loaded in the connector	Min 0.4µ gold over 0.8µ Ni	20-18	0.020"-0.031"	0.32-0.80	0.149"	3.8
PCB Machined ⁽¹⁾	Min 0.4µ gold over 0.8µ Ni	-	-	-	-	-

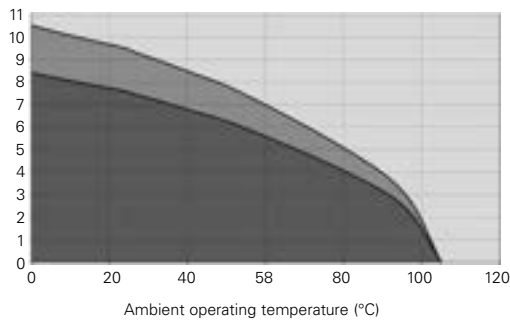
(1) For dimensions see **Pages 205**

Electrical characteristics

UL	CSA	IEC
4.5A 250V with AWG20 wire	4.5A 250V with AWG20 wire	5A 32V 1.5kV 3

UTSX 12E4/12D4 derating curves

Current (A)



- Current use
- Limited use
- Not recommended use

Test conditions

Contact used: machined contacts
Wires used: 20 AWG

Derating curves based on continuous current application.

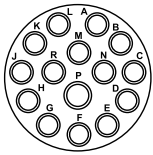
Souriau UTSX series

14E15/14D15 (Shell size 14, 14x#20, 1#16)



Connector part number

UTSX 14E15/14D15



15 contacts
 12A 600V per UL1977
 with AWG16 wire 5A
 250V per UL1977 with
 AWG20 wire
 (qualification pending)

Contact type	Connector type	Backshell	Part number Male insert	Female insert
Hand solder electrical contacts loaded see Page 159	Square flange receptacle	Without (Fig. 1)	UTSX014E15P	UTSX014E15S
	Plug	Without (Fig. 2)	UTSX614E15P	UTSX614E15S
	Plug	Cable gland (Fig. 3)	UTSX6JC14E15P	UTSX6JC14E15S
	Jam nut receptacle	Without (Fig. 4)	UTSX714E15P	UTSX714E15S
PCB contacts loaded see Page 159	Square flange receptacle	Without (Fig. 2)	UTSX014D15P	UTSX014D15S
	Jam nut receptacle with stand off and without hold down clip	Without (Fig. 5)	UTSX714D15P	UTSX714D15S
	Jam nut receptacle with stand off and with hold down clips	Without (Fig. 6)	UTSX714D15P32	UTSX714D15S32

For discrimination/keying methods see **Page 223**

Sealed unmated

Overmolded cable assembly part numbers

Please contact us directly for overmolded cable assemblies.

Dimensions (For mated connector lengths see Page 215)

Square flange receptacle - UTSX0

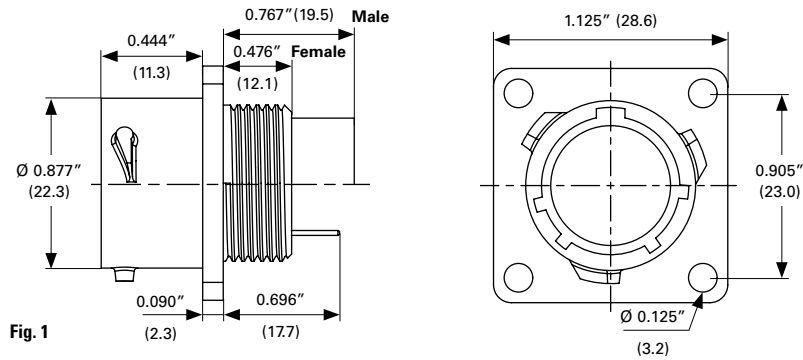


Fig. 1

Plug - UTSX6 and UTSX6JC

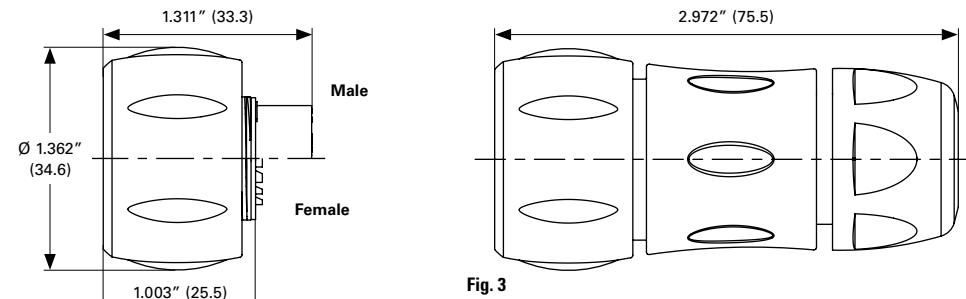


Fig. 2

Fig. 3
Cable diameter acceptance: standard seal: from 0.275" to 0.551" (7 to 14), reduced seal: from 0.196" to 0.472" (5 to 12)

Jam nut receptacle UTSX7

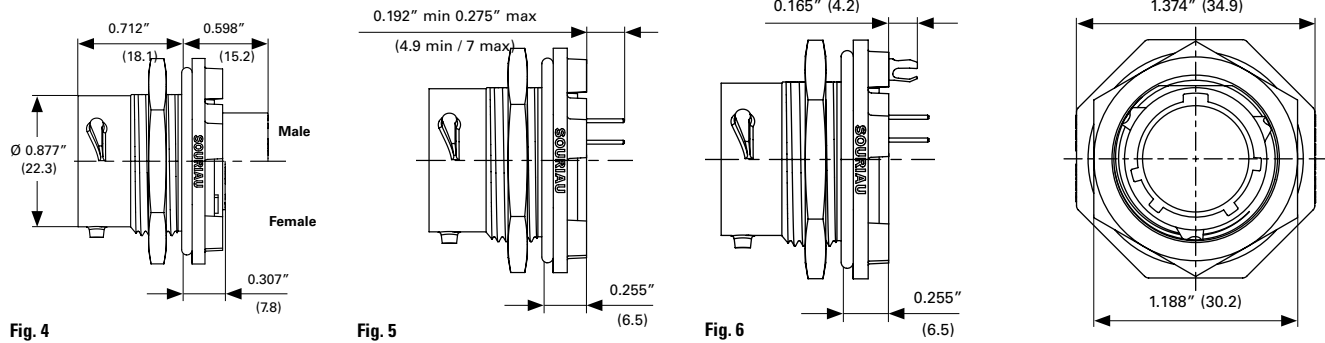


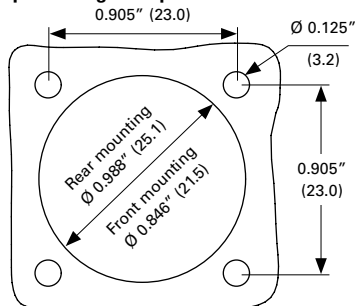
Fig. 4

Fig. 5

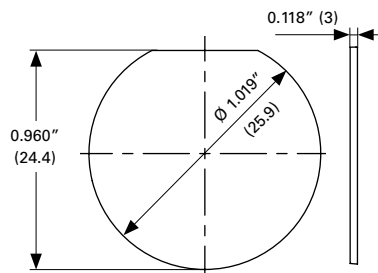
Fig. 6

Panel cut out

Square flange receptacle - UTSX0



Jam nut receptacle - UTSX7



Dimensions in inches (millimeters)

Souriau UTSX series

14E15/14D15 (Shell size 14, 14x#20, 1#16)

Accessories

Jam nut and free hanging receptacle sealing caps



Description	Part number
IP68	UTS14DCG
IP68 - Metal terminal	UTS14DCGR

Square flange sealing cap



Description	Part number
IP68 - Metal terminal	UTS14DCGE

Plug sealing cap



Description	Part number
IP68	UTX614DCG

Plastic protective cap



Part number receptacle cap	Part number plug cap
85005588A	85005597

Gasket



Part number
UTFD14B

Color coding rings



Description	Part number receptacles	Part number plugs
G for Green	UTS714CCRG	UTS614CCRG
Y for Yellow	UTS714CCRY	UTS614CCRY
R for Red	UTS714CCRR	UTS614CCRR

Contacts

Contact size	Contact type	Plating	Cable acceptance (AWG)	Cable acceptance		Wire stripping length	
				inch ²	mm ²	inch	mm
#16	Hand solder Loaded in the connector	Min 0.4µ gold over 0.8µ Ni	18 - 14	0.032"-0.081"	0.823 - 2.08	0.196"	5
	PCB Machined ⁽¹⁾	Min 0.4µ gold over 0.8µ Ni	—	—	—	—	—
#20	Hand solder Loaded in the connector	Min 0.4µ gold over 0.8µ Ni	20 - 18	0.012"-0.029"	0.32 - 0.75	0.149"	3.8
	PCB Machined ⁽¹⁾	Min 0.4µ gold over 0.8µ Ni	—	—	—	—	—

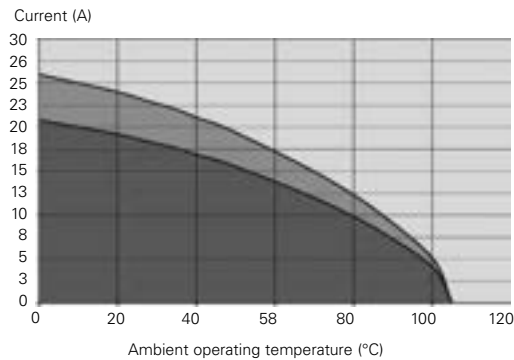
(1) For dimensions see **Pages 205**

Electrical characteristics

UL	CSA	IEC
12A 600V with AWG16* 5A 250V with AWG20*	12A 600v with AWG16* 5A 250V with AWG20*	4A 50V 1.5kV 3

* qualification pending

UTSX 14E15/14D15 derating curves



- Current use
- Limited use
- Not recommended use

Test conditions

Contact used: machined contacts
Wires used: 16 AWG

Derating curves based on continuous current application.

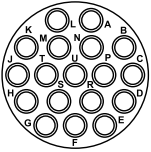
Souriau UTSX series

14E18/14D18 (Shell size 14, 18x#20)



Connector part number

UTSX 14E18/14D18



18 contacts
4A/250V per
UL 1977 with
AWG20 wire

Contact type	Connector type	Backshell	Part number Male insert	Female insert
Hand solder electrical contacts loaded see Page 163	Square flange receptacle	Without (Fig. 1)	UTSX014E18P	UTSX014E18S
	Plug	Without (Fig. 2)	UTSX614E18P	UTSX614E18S
	Plug	Cable gland (Fig. 3)	UTSX6JC14E18P	UTSX6JC14E18S
	Jam nut receptacle	Without (Fig. 4)	UTSX714E18P	UTSX714E18S
PCB contacts loaded see Page 163	Square flange receptacle	Without (Fig. 2)	UTSX014D18P	UTSX014D18S
	Jam nut receptacle with stand off and without hold down clip	Without (Fig. 5)	UTSX714D18P	UTSX714D18S
	Jam nut receptacle with stand off and with hold down clips	Without (Fig. 6)	UTSX714D18P32	UTSX714D18S32

For discrimination/keying methods see **Page 223**

Sealed unmated

Overmolded cable assembly part numbers

Please contact us directly for overmolded cable assemblies.

Dimensions (For mated connector lengths see Page 215)

Square flange receptacle - UTSX0

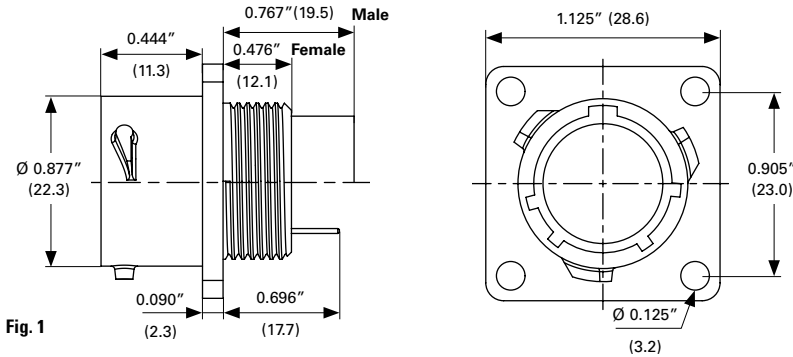


Fig. 1

Plug - UTSX6 and UTSX6JC

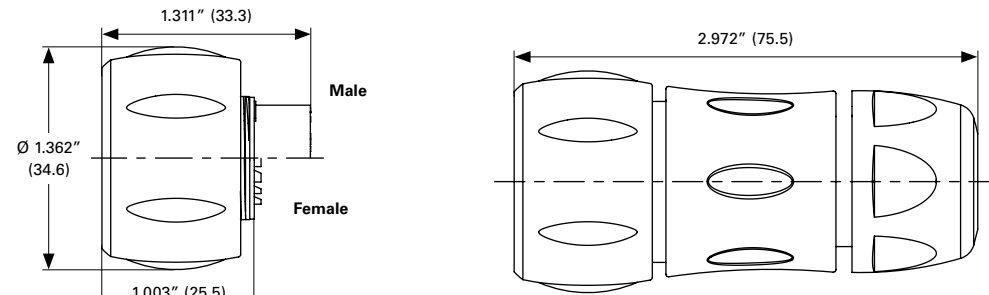


Fig. 2

Fig. 3

Cable diameter acceptance: standard seal: from 0.275" to 0.551" (7 to 14), reduced seal: from 0.196" to 0.472" (5 to 12)

Jam nut receptacle UTSX7

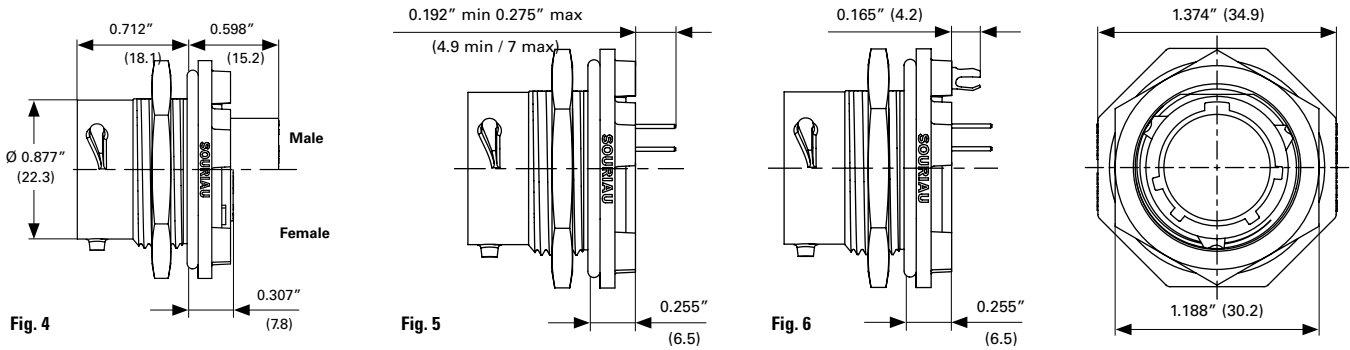


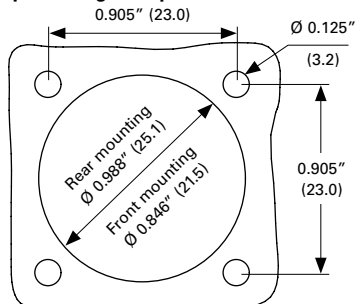
Fig. 4

Fig. 5

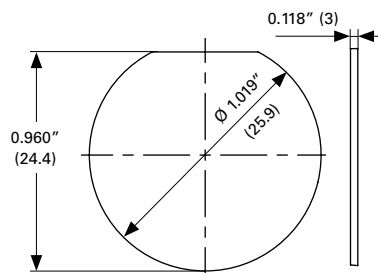
Fig. 6

Panel cut out

Square flange receptacle - UTSX0



Jam nut receptacle - UTSX7



Dimensions in inches (millimeters)

Souriau UTSX series

14E18/14D18 (Shell size 14, 18x#20)

Accessories

Jam nut and free hanging receptacle sealing caps



Description	Part number
IP68	UTS14DCG
IP68 - Metal terminal	UTS14DCGR

Square flange sealing cap



Description	Part number
IP68 - Metal terminal	UTS14DCGE

Plug sealing cap



Description	Part number
IP68	UTX614DCG

Plastic protective cap



Part number receptacle cap	Part number plug cap
85005588A	85005597

Gasket



Part number
UTFD14B

Color coding rings



Description	Part number receptacles	Part number plugs
G for Green	UTS714CCRG	UTS614CCRG
Y for Yellow	UTS714CCRY	UTS614CCRY
R for Red	UTS714CCRR	UTS614CCRR

Contacts #20

Contact type	Plating	Cable acceptance (AWG)	Cable acceptance		Wire stripping length	
			inch ²	mm ²	inch	mm
Handsolded Loaded in the connector	Min 0.4μ gold over 0.8μ Ni	20-18	0.020"-0.031"	0.32-0.80	0.149"	3.8
PCB Machined ⁽¹⁾	Min 0.4μ gold over 0.8μ Ni	–	–	–	–	–

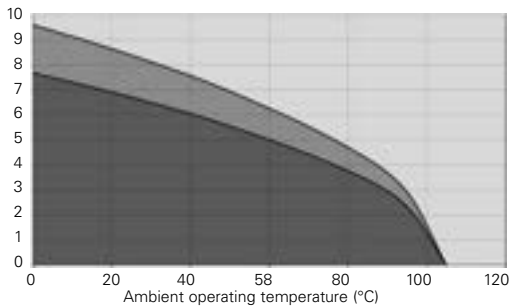
(1) For dimensions see Page 205

Electrical characteristics

UL	CSA	IEC
4A 250V with AWG20 wire	4A 250V with AWG20 wire	5A 50V 1.5kV 3

UTSX 14E18/14D18 derating curves

Current (A)



- Current use
- Limited use
- Not recommended use

Test conditions

Contact used: machined contacts
Wires used: 20 AWG

Derating curves based on continuous current application.

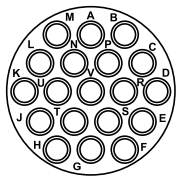
Souriau UTSX series

1419 - 14E19/14D19 (Shell size 14, 19x#20)



Connector part number

UTSX 1419



19 contacts + ground
4.5A/250V per UL 1977
with AWG20 wire

14E19/14D19

19 contacts + ground
4A/250V per UL 1977
with AWG20 wire

Contact type	Connector type	Backshell	Part number Male insert	Female insert
Crimp contacts supplied separately see Page 168	Square flange receptacle	Without (Fig. 1)	UTSX01419P	UTSX01419S
	Square flange receptacle	Cable gland (Fig. 2)	UTSX0JC1419P	UTSX0JC1419S
	Free hanging receptacle	Cable gland (Fig. 3)	UTSX1JC1419P	UTSX1JC1419S
	Plug	Without (Fig. 4)	UTSX61419P	UTSX61419S
	Plug	Cable gland (Fig. 5)	UTSX6JC1419P	UTSX6JC1419S
	Jam nut receptacle	Without (Fig. 6)	UTSX71419P	UTSX71419S
PCB contacts supplied separately see Page 168	Square flange receptacle	Without (Fig. 1)	UTSX01419P	UTSX01419S
Hand solder electrical contacts loaded see Page 168	Square flange receptacle	Without (Fig. 1)	UTSX014E19P	UTSX014E19S
	Plug	Without (Fig. 4)	UTSX614E19P	UTSX614E19S
	Plug	Cable gland (Fig. 5)	UTSX6JC14E19P	UTSX6JC14E19S
	Jam nut receptacle	Without (Fig. 6)	UTSX714E19P	UTSX714E19S
PCB contacts loaded	Square flange receptacle	Without (Fig. 3)	UTSX014D19P	UTSX014D19S
	Jam nut receptacle with stand off and without hold down clip	Without (Fig.7)	UTSX714D19P	UTSX714D19S
	Jam nut receptacle with stand off and with hold down clips	Without (Fig. 8)	UTSX714D19P32	UTSX714D19S32

Sealed unmatred

Overmolded cable assembly part numbers

Please contact us directly for overmolded cable assemblies.

Dimensions (For mated connector lengths see Page 215)

Square flange receptacle - UTSX0 and UTSX0JC

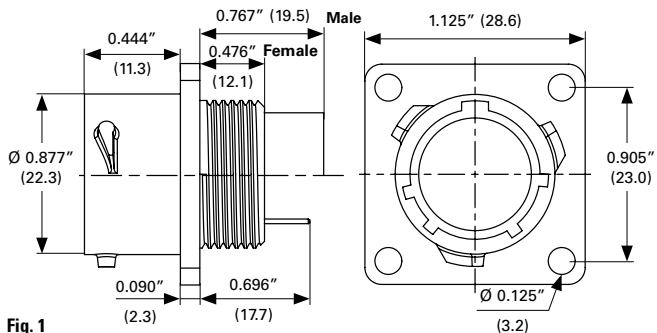


Fig. 1

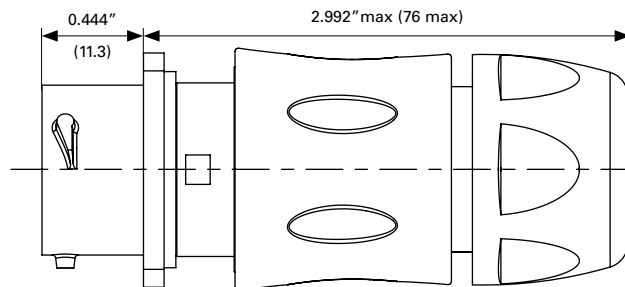


Fig. 2

Cable diameter acceptance: standard seal: from 0.275" to 0.551" (7 to 14), reduced seal: from 0.196" to 0.472" (5 to 12)

Free hanging - UTSX1JC

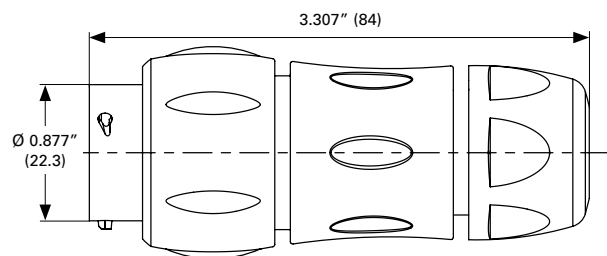


Fig. 3

Cable diameter acceptance: standard seal: from 0.275" to 0.551" (7 to 14), reduced seal: from 0.196" to 0.472" (5 to 12)

Plug - UTSX6 and UTSX6JC

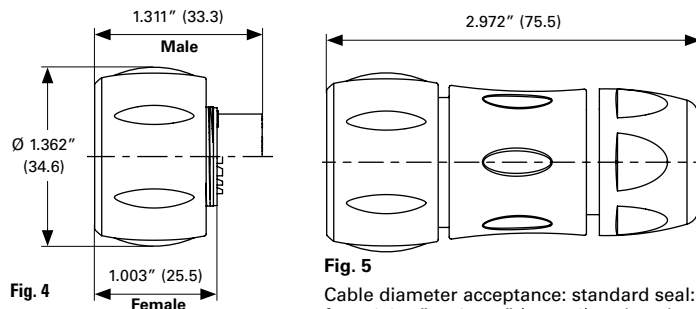


Fig. 4

Fig. 5

Cable diameter acceptance: standard seal: from 0.275" to 0.551" (7 to 14), reduced seal: from 0.196" to 0.472" (5 to 12)

Jam nut receptacle UTSX7

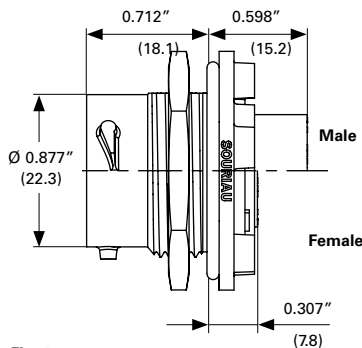


Fig. 4

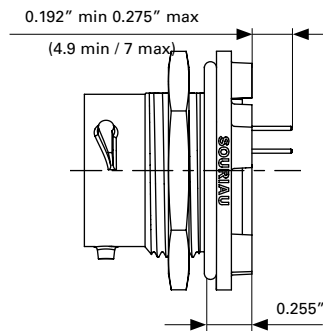


Fig. 5

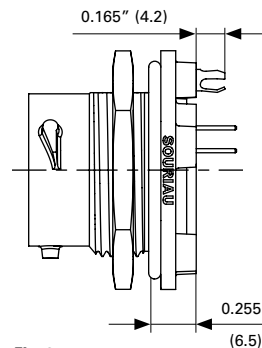
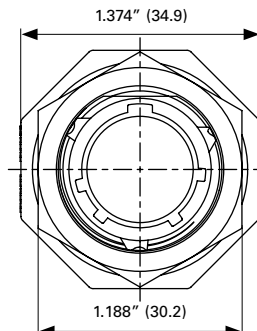
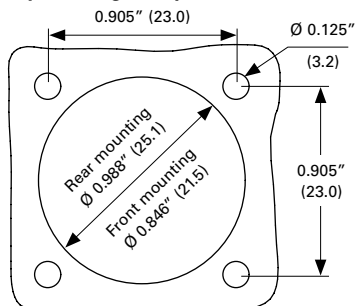


Fig. 6

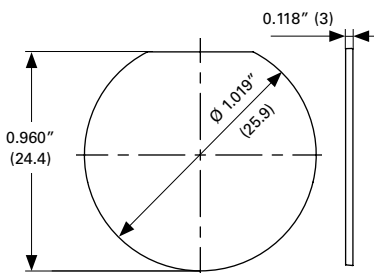


Panel cut out

Square flange receptacle - UTSX0



Jam nut receptacle - UTSX7



Dimensions in inches (millimeters)

Souriau UTSX series

1419 - 14E19/14D19 (Shell size 14, 19x#20)

Accessories

Jam nut and free hanging receptacle sealing caps



Description	Part number
IP68	UTS14DCG
IP68 - Metal terminal	UTS14DCGR

Square flange sealing cap



Description	Part number
IP68 - Metal terminal	UTS14DCGE

Plug sealing cap



Description	Part number
IP68	UTX614DCG

Plastic protective cap



Part number receptacle cap	Part number plug cap
85005588A	85005597

Gasket



Part number
UTFD14B

Color coding rings



Description	Part number receptacles	Part number plugs
G for Green	UTS714CCRG	UTS614CCRG
Y for Yellow	UTS714CCRY	UTS614CCRY
R for Red	UTS714CCRR	UTS614CCRR

Tooling

#20 stamped or machined contacts



Description	Part number
Handle (without head)	SHANDLES
Box containing handle and several crimp tooling	Toolkit

Crimp tooling (without Shandles)



Contact size	Contacts	Part number of Head
Standard contacts #20 Ø 0.039" (1)	RM/RC 24W3K ⁽¹⁾	S20RCM*
	RM/RC 20W3K ⁽¹⁾	S20RCM*
	RM/RC 18W3K ⁽¹⁾	S20RCM*
	SM/SC 24WL3 ⁽¹⁾⁽²⁾	S20SCM20*
	SM/SC 20WL3 ⁽¹⁾⁽²⁾	S20SCM20*

(1) Example of plating, for other plating options see **Page 198**

(2) Loose contact

* Heads to be used with handle PN: SHANDLES

Extraction tool #20



Description	Part number
Contacts #20 Ø 0.039" (1)	RX20D44

Souriau UTSX series

1419 - 14E19/14D19 (Shell size 14, 19x#20)

Contacts #20

Contact style	Contact type	Cable acceptance			Part number		Wire Ø max		Insulator Ø max	
		AWG	inch ²	mm ²	Male	Female	inch	mm	inch	mm
Crimp contacts	Machined	26-24	0.005"-0.009"	0.13-0.25	RM24W3K	RC24W3K	0.031"	0.80	0.062"	1.58
		22-20	0.012"-0.020"	0.32-0.52	RM20W3K	RC20W3K	0.045"	1.15	0.070"	1.80
		20-18	0.020"-0.031"	0.52-0.80	RM18W3K	RC18W3K	0.051"	1.30	0.082"	2.10
	Stamped and formed reeled contacts See note ⁽¹⁾ for loose piece	26-24	0.005"-0.009"	0.13-0.25	SM24W3TK6⁽¹⁾	SC24W3TK6⁽¹⁾	-	-	0.035"-0.062"	0.90-1.60
		26-24	0.005"-0.009"	0.13-0.25	SM24W3S26⁽¹⁾	SC24W3S25⁽¹⁾	-	-	0.035"-0.062"	0.90-1.60
		22-20	0.012"-0.020"	0.32-0.52	SM20W3TK6⁽¹⁾	SC20W3TK6⁽¹⁾	-	-	0.047"-0.082"	1.20-2.10
	22-20	0.012"-0.020"	0.32-0.52	SM20W3S26⁽¹⁾	SC20W3S25⁽¹⁾	-	-	0.047"-0.082"	1.20-2.10	
PCB	Machined ⁽²⁾	-	-	-	RMW5016K	RCW5016K	-	-	-	-

(1) Loose piece contact available by adding "L" after the "M" for the contact size and the plating. Example: SM20W3TK6 becomes SM20WL3TK6

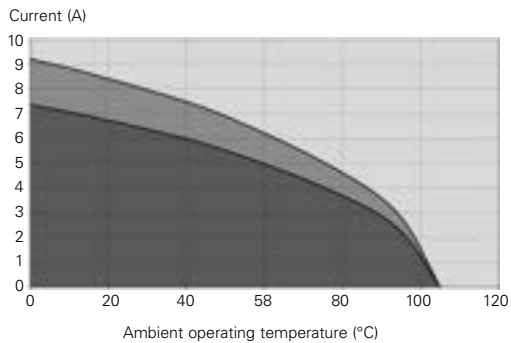
(2) for dimensions see **Page 205**

Contact style	Contact type	Plating	Cable acceptance (AWG)	Wire stripping length	
				inch	mm
Hand solder	Loaded in the connector	Min 0.4µ gold over 0.8µ Ni	20 to 18	0.149"	3.8

Electrical characteristics

UL	CSA	IEC
UTSX 1419 4.5A 250V with AWG20 wire	3A 250V with AWG20 wire	5A 32V 1.5kV 3
UTSX 14E19/14D19 4A 250V with AWG20 wire	4A 250V with AWG20 wire	5A 32V 1.5kV 3

UTSX 1419 - 14E19/14D19 derating curves

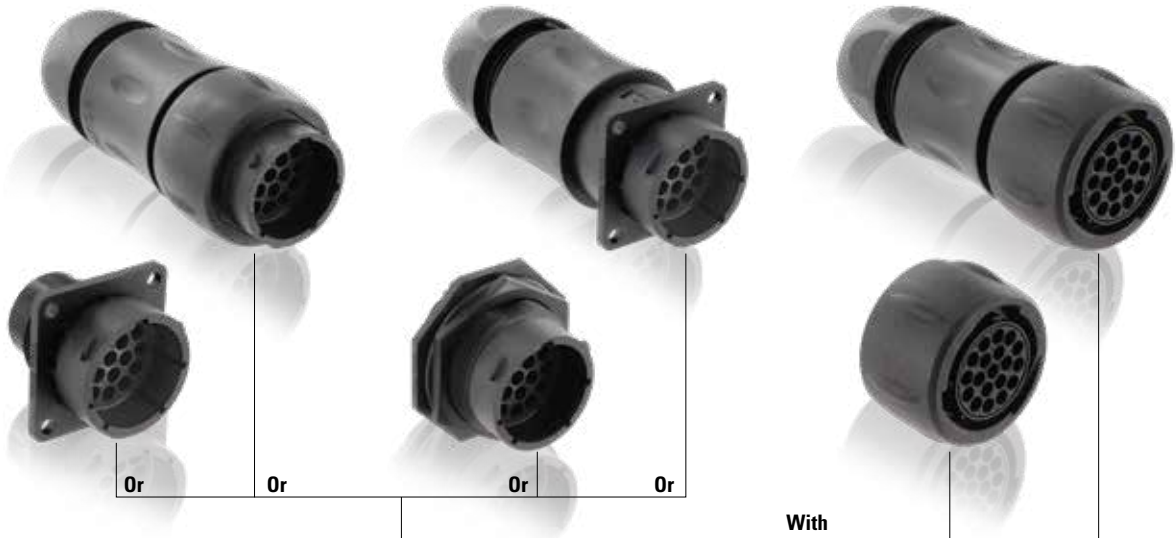


- Current use
- Limited use
- Not recommended use

Test conditions

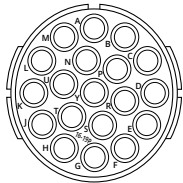
Contact used: machined contacts
Wires used: 20 AWG

Derating curves based on continuous current application.



Connector part number

UTSX 1619



19 contacts
9A 250V per UL 1977
with AWG16 wire

Contact type	Connector type	Backshell	Part number Male insert	Female insert
Crimp contacts supplied separately see Page 173	Square flange receptacle	Without (Fig. 1)	UTSX01619P	UTSX01619S
	Square flange receptacle	Cable gland (Fig. 2)	UTSX0JC1619P	UTSX0JC1619S
	Free hanging receptacle	Cable gland (Fig. 3)	UTSX1JC1619P	UTSX1JC1619S
	Plug	Without (Fig. 4)	UTSX61619P	UTSX61619S
	Plug	Cable gland (Fig. 5)	UTSX6JC1619P	UTSX6JC1619S
	Jam nut receptacle	Without (Fig. 6)	UTSX71619P	UTSX71619S
PCB contacts supplied separately see Page 173	Square flange receptacle	Without (Fig. 1)	UTSX01619P	UTSX01619S
	Jam nut receptacle	Without (Fig. 7)	UTSX71619P	UTSX71619S
	Jam nut receptacle with stand off and with hold down clips	Without (Fig. 8)	UTSX71619P32	UTSX71619S32

For discrimination/keying methods see **Page 223**

Overmolded cable assembly part numbers

Please contact us directly for overmolded cable assemblies.

Souriau UTSX series

1619 (Shell size 16, 19 x #16)

Dimensions (For mated connector lengths see Page 215)

Square flange receptacle - UTSX0 and UTSX0JC

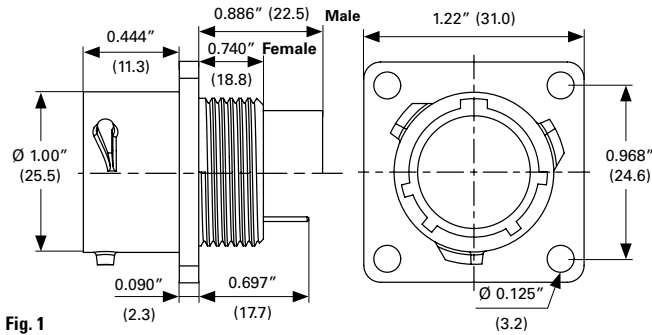


Fig. 1

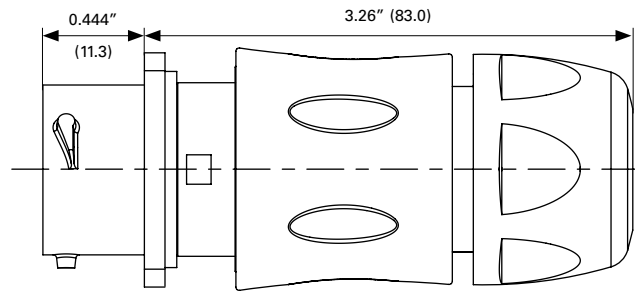


Fig. 2

Cable diameter acceptance: standard seal: from 0.472" to 0.630" (12 to 16), reduced seal: from 0.354" to 0.472" (9 to 12)

Free hanging - UTSX1JC and UTSXGJC

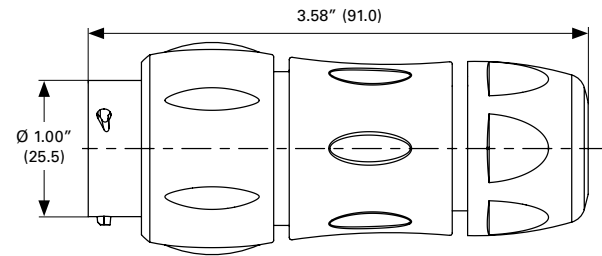


Fig. 3

Cable diameter acceptance: standard seal: from 0.472" to 0.630" (12 to 16), reduced seal: from 0.354" to 0.472" (9 to 12)

Plug - UTSX6 and UTSX6JC

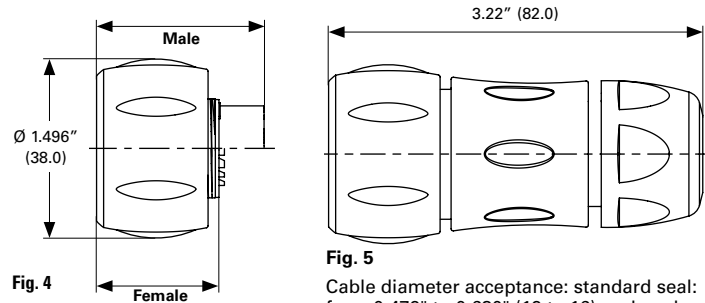


Fig. 4

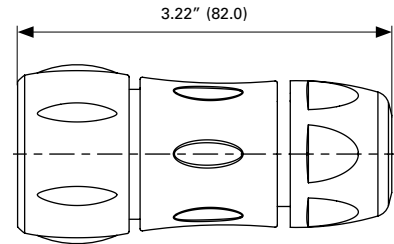


Fig. 5

Cable diameter acceptance: standard seal: from 0.472" to 0.630" (12 to 16), reduced seal: from 0.354" to 0.472" (9 to 12)

Jam nut receptacle UTSX7

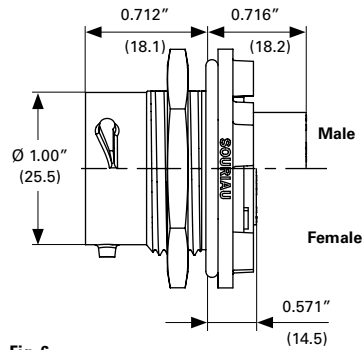


Fig. 6

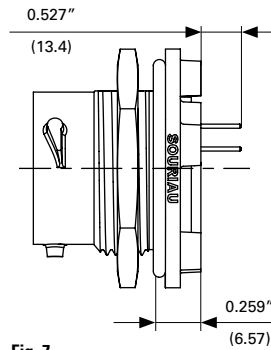


Fig. 7

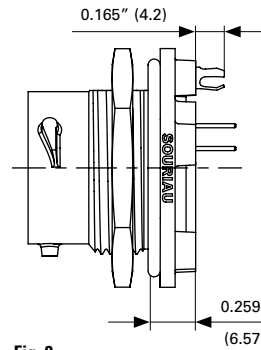
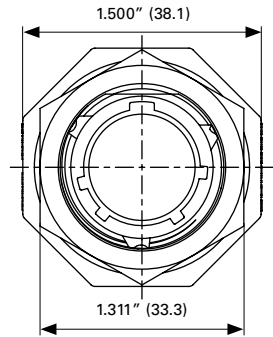
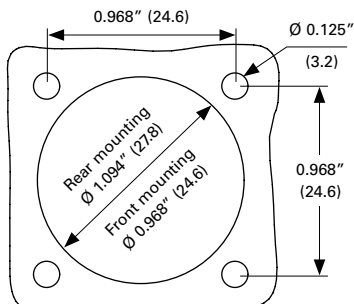


Fig. 8

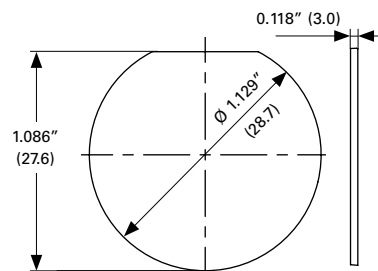


Panel cut out

Square flange receptacle - UTSX0



Jam nut receptacle - UTSX7



Dimensions in inches (millimeters)

Accessories

Jam nut and free hanging receptacle sealing caps



Description	Part number
IP68	UTS16DCG
IP68 - Metal terminal	UTS16DCGR

Square flange sealing cap



Description	Part number
IP68 - Metal terminal	UTS16DCGE

Plug sealing cap



Description	Part number
IP68	UTS616DCG

Plastic protective cap



Part number receptacle cap	Part number plug cap
85005589A	85005598

Gasket



Part number
UTFD15B

Color coding rings



Description	Part number receptacles	Part number plugs
G for Green	UTS716CCRG	UTS616CCRG
Y for Yellow	UTS716CCRY	UTS616CCRY
R for Red	UTS716CCRR	UTS616CCRR

Souriau UTSX series

1619 (Shell size 16, 19 x #16)

Tooling

Tooling



Description	Part number
Handle (without head)	Shandles
Box containing handle and several crimp tooling	Toolkit

Crimp tooling (without Shandles)



Contact size	Contacts	Part number of Head
Standard contacts #16 Ø 0.062" (1.6)	RM/RC 28M1K ⁽¹⁾	S16RCM20*
	RM/RC 24M9K ⁽¹⁾	S16RCM20*
	RM/RC 20M13K ⁽¹⁾	S16RCM20*
	RM/RC 20M12K ⁽¹⁾	S16RCM20*
	RM/RC 16M23K ⁽¹⁾	S16RCM16*
	RM/RC 14M30K ⁽¹⁾	S16RCM14*
	SM/SC 24ML1TK6 ⁽¹⁾	S16SCM20*
	SM/SC 20ML1TK6 ⁽¹⁾	S16SCM20*
	SM/SC 16ML1TK6 ⁽¹⁾	S16SCML1*
	SM/SC 14ML1TK6 ⁽¹⁾	S16SCML1*
	SM/SC 16ML11TK6 ⁽¹⁾	S16SCML11*

(1) Example of plating, for other plating options see [Page 198](#)
* Heads to be used with handle PN: SHANDLES

#16, #12 and #8 machined contacts



Description	Part number
Crimp tool	M20S-1J
Die casts and stop bushings	See Page 210

Extraction tool #16

Fig. 1



Fig. 2



Description	Part number
Fig. 1	RX2025GE1
Fig. 2 - Long endurance tool	RX2031J

Contacts #16

Contact style	Contact type	Cable acceptance		Part number		Wire Ø max		Insulator Ø max		
		AWG	inch ²	mm ²	Male	Female	inch	mm	inch	mm
Crimp contacts	Machined	30-28	0.002"-0.003"	0.05-0.08	RM28M1K ⁽¹⁾	RC28M1K ⁽¹⁾	0.021"	0.55	0.039"	1.00
		26-24	0.005"-0.009"	0.13-0.25	RM24M9K ⁽¹⁾	RC24M9K ⁽¹⁾	0.031"	0.80	0.062"	1.58
		22-20	0.012"-0.020"	0.32-0.52	RM20M13K ⁽¹⁾	RC20M13K ⁽¹⁾	0.045"	1.15	0.070"	1.80
		22-20	0.012"-0.020"	0.32-0.52	RM20M12K ⁽¹⁾	RC20M12K ⁽¹⁾	0.045"	1.15	0.086"	2.20
		20-16	0.020"-0.059"	0.52-1.48	RM16M23K ⁽¹⁾	RC16M23K ⁽¹⁾	0.070"	1.80	0.125"	3.20
		16-14	0.059"-0.098"	1.48-2.48	RM14M30K ⁽¹⁾	RC14M30K ⁽¹⁾	0.090"	2.30	0.125"	3.20
	Stamped and formed reeled contacts See note ⁽²⁾ for loose piece	26-24	0.005"-0.009"	0.13-0.25	SM24M1TK6 ⁽¹⁾⁽²⁾	SC24M1TK6 ⁽¹⁾⁽²⁾	-	-	0.035"-0.062"	0.90-1.58
		22-20	0.012"-0.020"	0.32-0.52	SM20M1TK6 ⁽¹⁾⁽²⁾	SC20M1TK6 ⁽¹⁾⁽²⁾	-	-	0.047"-0.082"	1.20-2.10
		18-16	0.031"-0.059"	0.80-1.48	SM16M1TK6 ⁽¹⁾⁽²⁾	SC16M1TK6 ⁽¹⁾⁽²⁾	-	-	0.125"	3.20
		18-16	0.031"-0.059"	0.80-1.48	SM16M11TK6 ⁽¹⁾⁽²⁾	SC16M11TK6 ⁽¹⁾⁽²⁾	-	-	0.118"	3.00
		14	0.098"	2.48	SM14M1TK6 ⁽¹⁾⁽²⁾	SC14M1TK6 ⁽¹⁾⁽²⁾	-	-	0.125"	3.20
		PCB	Machined ⁽³⁾	-	-	-	RM20M12E83K ⁽¹⁾	RC20M12E84K ⁽¹⁾	-	-
Coaxial	Cable multipiece	see Page 202		-	RMDXK10D28	RCDXK1D28	-	-	-	-
	Cable monocrimp	see Page 202		-	RMDX60xxD28	RCDX60xxD28	-	-	-	-
	Twisted pair multipiece	see Page 202		-	RMDXK10D28 + yorx090	RCDXK1D28 + yorx090	-	-	-	-
	Twisted pair monocrimp	see Page 202		-	RMDX60xxD28	RCDX60xxD28	-	-	-	-
Fiber optic	POF contacts (Plastic optical fiber)	-	-	-	RMPOF1000	RCPOF1000B	-	-	-	-
Handsold	Loaded in the connector	14-18	0.098"-0.031"	2.48-0.80	-	-	-	-	-	-

(1) Example of plating, for other plating see **Page 198**

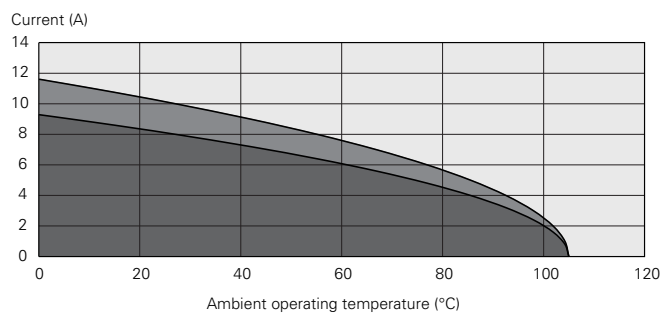
(2) Loose piece contact available by adding "L" after the "M" for the contact size and the plating. Example: SM20M1TK6 becomes SM20ML1TK6

(3) for dimensions see **Page 205**

Electrical characteristics

UL	CSA	IEC
UTSX 1619 9A 250V with AWG16 wire	5A 250V with AWG16 wire	8A 32V 2.0kV 3

UTSX 1619 derating curves



- Current use
- Limited use
- Not recommended use

Test conditions

Contact used: machined contacts
Wires used: 16 AWG

Derating curves based on continuous current application.

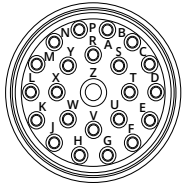
Souriau UTSX series

16E23/16D23 (Shell size 16, 22 x #20, 1 x #16)



Connector part number

UTSX 16E23 / 16D23



23 contacts
13A/250V per UL 1977
with AWG16 wire

Contact type	Connector type	Backshell	Part number Male insert	Female insert
Hand solder electrical contacts loaded see Page 177	Square flange receptacle	Without (Fig. 1)	UTSX016E23P	UTSX016E23S
	Plug	Without (Fig. 4)	UTSX616E23P	UTSX616E23S
	Plug	Cable gland (Fig. 5)	UTSX6JC16E23P	UTSX6JC16E23S
	Jam nut receptacle	Without (Fig. 6)	UTSX716E23P	UTSX716E23S
	Jam nut receptacle with stand off and with hold down clips	Without (Fig. 8)	UTSX716E23P32	UTSX716E23S32
PCB contacts loaded see Page 177	Square flange receptacle	Without (Fig. 3)	UTSX016D23P	UTSX016D23S
	Jam nut receptacle with stand off and without hold down clip	Without (Fig.7)	UTSX716D23P	UTSX716D23S
	Jam nut receptacle with stand off and with hold down clips	Without (Fig. 8)	UTSX716D23P32	UTSX716D23S32

For discrimination/keying methods see **Page 223**

Sealed unmatd

Overmolded cable assembly part numbers

Please contact us directly for overmolded cable assemblies.

Dimensions (For mated connector lengths see Page 215)

Square flange receptacle - UTSX0 and UTSX0JC

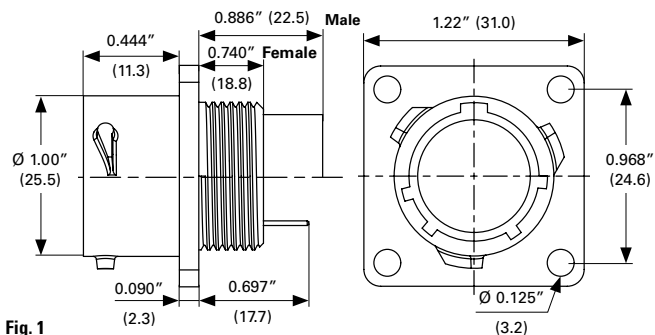


Fig. 1

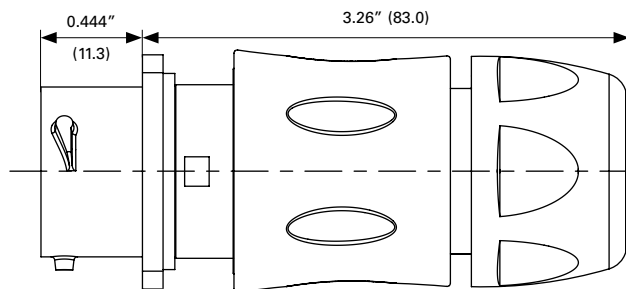


Fig. 2

Cable diameter acceptance: standard seal: from 0.472" to 0.630" (12 to 16), reduced seal: from 0.354" to 0.472" (9 to 12)

Free hanging - UTSX1JC and UTSXGJC

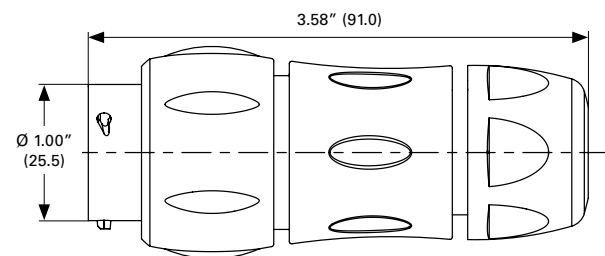


Fig. 3

Cable diameter acceptance: standard seal: from 0.472" to 0.630" (12 to 16), reduced seal: from 0.354" to 0.472" (9 to 12)

Plug - UTSX6 and UTSX6JC

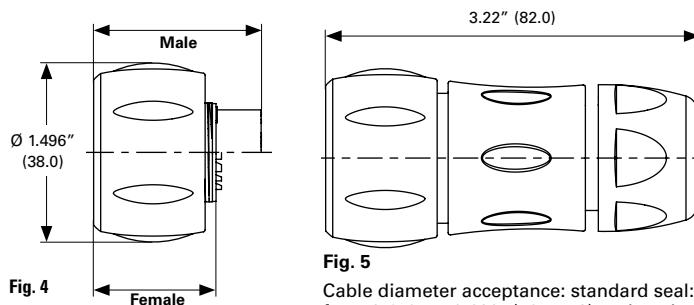


Fig. 4

Fig. 5

Cable diameter acceptance: standard seal: from 0.472" to 0.630" (12 to 16), reduced seal: from 0.354" to 0.472" (9 to 12)

Jam nut receptacle UTSX7

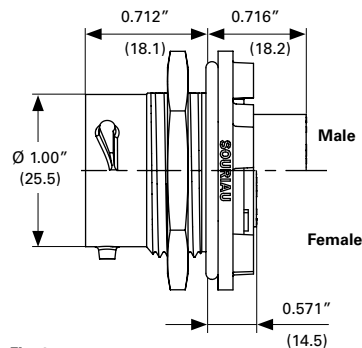


Fig. 6

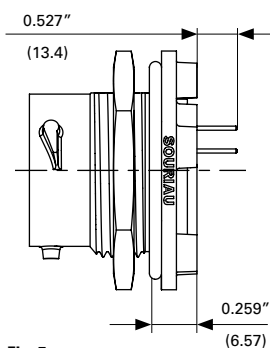


Fig. 7

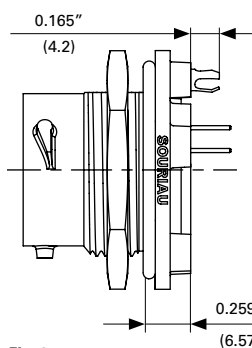
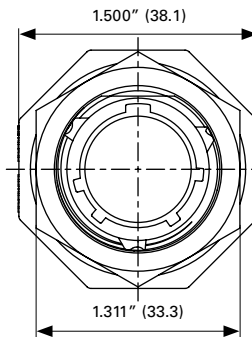
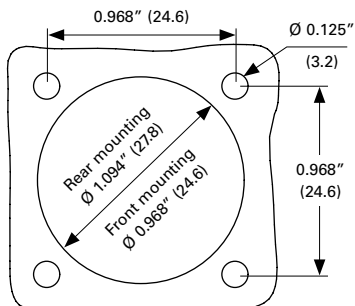


Fig. 8

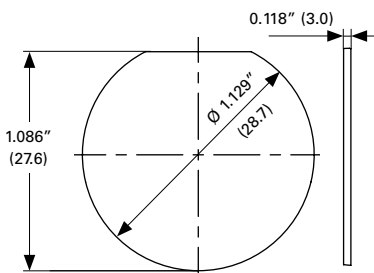


Panel cut out

Square flange receptacle - UTSX0



Jam nut receptacle - UTSX7



Dimensions in inches (millimeters)

Souriau UTSX series

16E23/16D23 (Shell size 16, 22 x #20, 1 x #16)

Accessories

Jam nut and free hanging receptacle sealing caps



Description	Part number
IP68	UTS16DCG
IP68 - Metal terminal	UTS16DCGR

Square flange sealing cap



Description	Part number
IP68 - Metal terminal	UTS16DCGE

Plug sealing cap



Description	Part number
IP68	UTS616DCG

Plastic protective cap



Part number receptacle cap	Part number plug cap
85005589A	85005598

Gasket



Part number
UTFD15B

Color coding rings

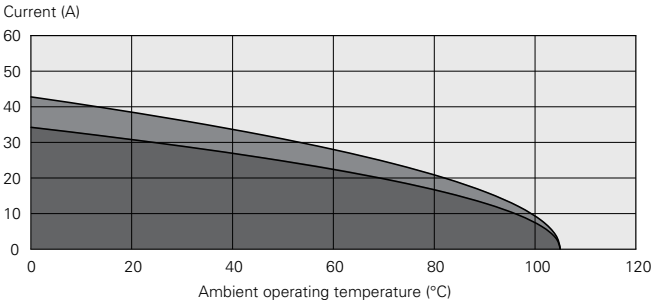


Description	Part number receptacles	Part number plugs
G for Green	UTS716CCRG	UTS616CCRG
Y for Yellow	UTS716CCRY	UTS616CCRY
R for Red	UTS716CCRR	UTS616CCRR

Electrical characteristics

UL	CSA	IEC
UTSX 16E23/16D23 13A 250V with AWG16 wire	7.5A 250V with AWG16 wire	13A 32V 2kV 3

UTSX 1623 - 16E23/16D23 derating curves



- Current use
- Limited use
- Not recommended use

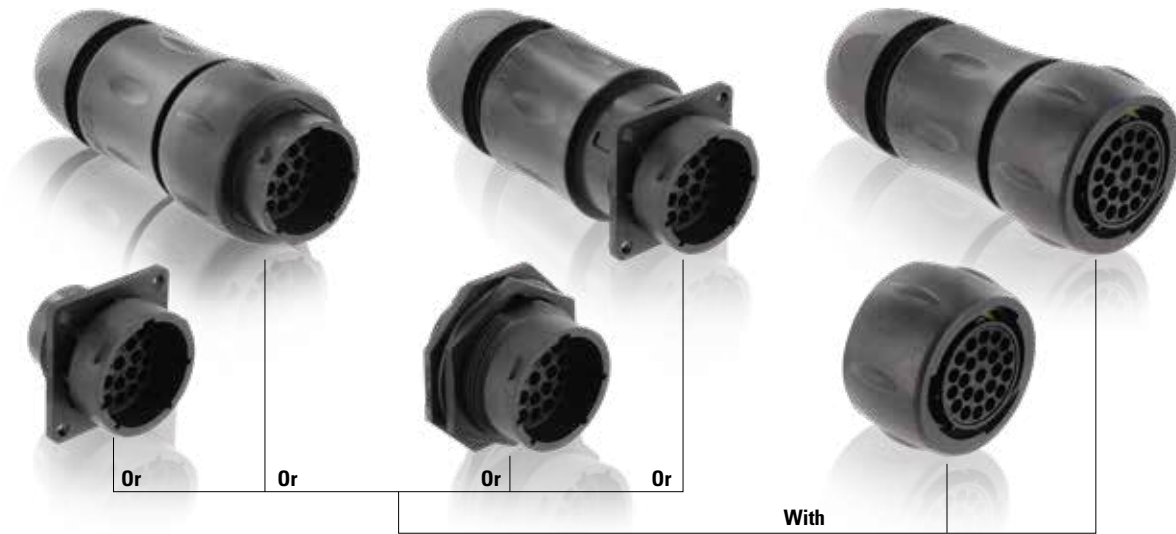
Test conditions

Contact used: machined contacts
Wires used: 16 AWG

Derating curves based on continuous current application.

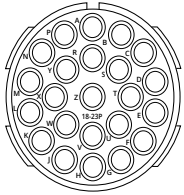
Souriau UTSX series

1823 (Shell size 18, 23 x #16)



Connector part number

UTSX 1823



23 contacts
9A/250V per UL 1977
with AWG16 wire

Contact type	Connector type	Backshell	Part number Male insert	Female insert
Crimp contacts supplied separately see Page 182	Square flange receptacle	Without (Fig. 1)	UTSX01823P	UTSX01823S
	Square flange receptacle	Cable gland (Fig. 2)	UTSX0JC1823P	UTSX0JC1823S
	Free hanging receptacle	Cable gland (Fig. 3)	UTSX1JC1823P	UTSX1JC1823S
	Plug	Without (Fig. 4)	UTSX61823P	UTSX61823S
	Plug	Cable gland (Fig. 5)	UTSX6JC1823P	UTSX6JC1823S
	Jam nut receptacle	Without (Fig. 6)	UTSX71823P	UTSX71823S
	Jam nut receptacle with stand off and with hold down clips	Without (Fig. 8)	UTSX71823P32	UTSX71823S32
	PCB contacts supplied separately see Page 182	Square flange receptacle	Without (Fig. 1)	UTSX01823P
Jam nut receptacle		Without (Fig. 7)	UTSX71823P	UTSX71823S

For discrimination/keying methods see **Page 223**

Overmolded cable assembly part numbers

Please contact us directly for overmolded cable assemblies.

Dimensions (For mated connector lengths see Page 215)

Square flange receptacle - UTSX0 and UTSX0JC

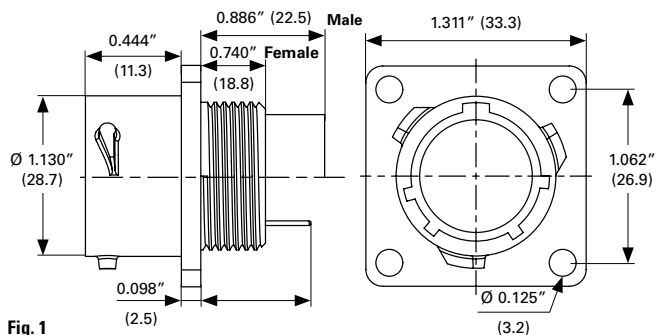


Fig. 1

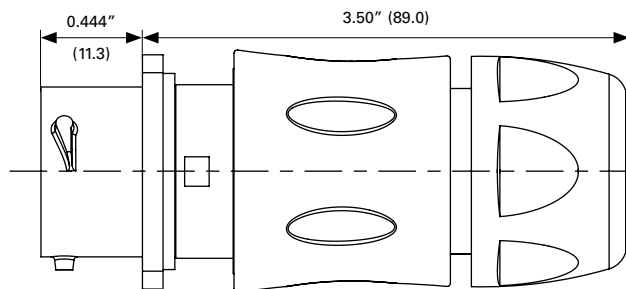


Fig. 2

Cable diameter acceptance: standard seal: from 0.512" to 0.709" (13 to 18), reduced seal: from 0.433" to 0.590" (11 to 15)

Free hanging - UTSX1JC and UTSXGJC

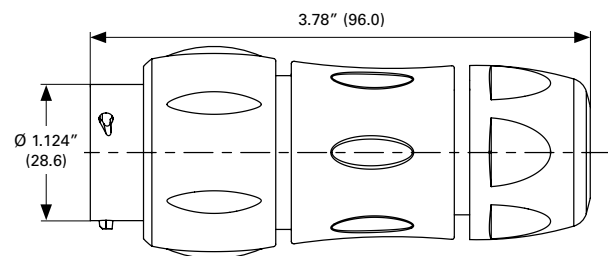


Fig. 3

Cable diameter acceptance: standard seal: from 0.512" to 0.709" (13 to 18), reduced seal: from 0.433" to 0.590" (11 to 15)

Plug - UTSX6 and UTSX6JC

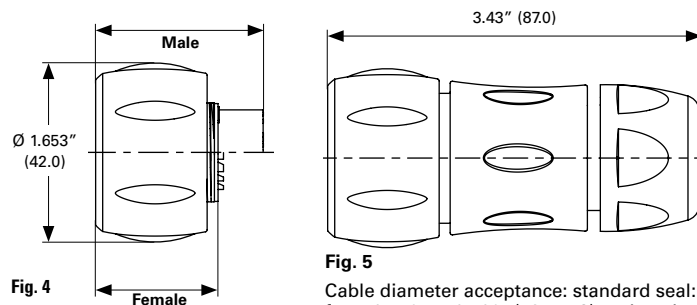


Fig. 4

Fig. 5

Cable diameter acceptance: standard seal: from 0.512" to 0.709" (13 to 18), reduced seal: from 0.433" to 0.590" (11 to 15)

Jam nut receptacle UTSX7

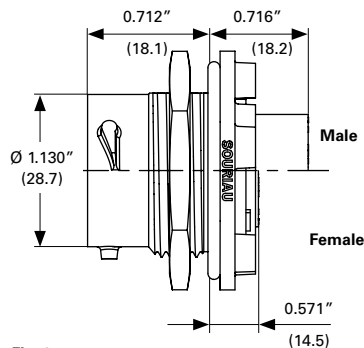


Fig. 6

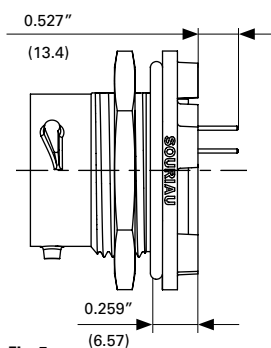


Fig. 7

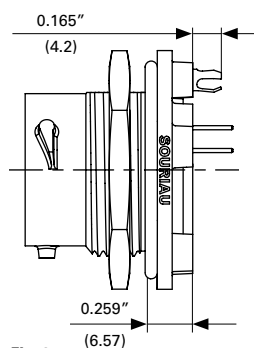
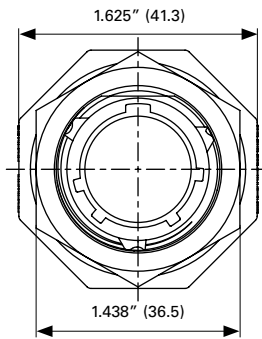
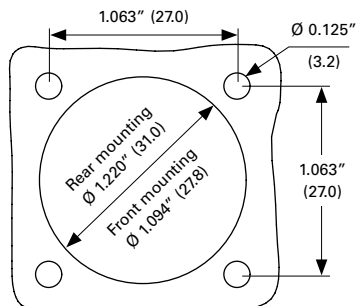


Fig. 8

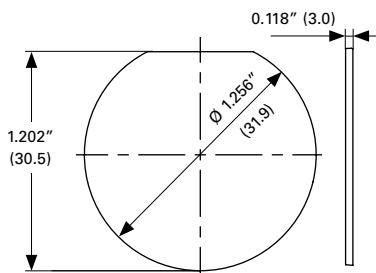


Panel cut out

Square flange receptacle - UTSX0



Jam nut receptacle - UTSX7



Dimensions in inches (millimeters)

Souriau UTSX series

1823 (Shell size 18, 23 x #16)

Accessories

Jam nut and free hanging receptacle sealing caps



Description	Part number
IP68	UTS18DCG
IP68 - Metal terminal	UTS18DCGR

Square flange sealing cap



Description	Part number
IP68 - Metal terminal	UTS18DCGE

Plug sealing cap



Description	Part number
IP68	UTS618DCG

Plastic protective cap



Part number receptacle cap	Part number plug cap
85005590A	85005599

Gasket



Part number
UTFD16B

Color coding rings



Description	Part number receptacles	Part number plugs
G for Green	UTS718CCRG	UTS618CCRG
Y for Yellow	UTS718CCRY	UTS618CCRY
R for Red	UTS718CCRR	UTS618CCRR

Tooling

Tooling



Description	Part number
Handle (without head)	Shandles
Box containing handle and several crimp tooling	Toolkit

Crimp tooling (without Shandles)



Contact size	Contacts	Part number of Head
Standard contacts #16 Ø 0.062" (1.6)	RM/RC 28M1K⁽¹⁾	S16RCM20*
	RM/RC 24M9K⁽¹⁾	S16RCM20*
	RM/RC 20M13K⁽¹⁾	S16RCM20*
	RM/RC 20M12K⁽¹⁾	S16RCM20*
	RM/RC 16M23K⁽¹⁾	S16RCM16*
	RM/RC 14M30K⁽¹⁾	S16RCM14*
	SM/SC 24ML1TK6⁽¹⁾	S16SCM20*
	SM/SC 20ML1TK6⁽¹⁾	S16SCM20*
	SM/SC 16ML1TK6⁽¹⁾	S16SCML1*
	SM/SC 14ML1TK6⁽¹⁾	S16SCML1*
	SM/SC 16ML11TK6⁽¹⁾	S16SCML11*

(1) Example of plating, for other plating options see **Page 198**
 * Heads to be used with handle PN: SHANGLES

#16, #12 and #8 machined contacts



Description	Part number
Crimp tool	M20S-1J
Die casts and stop bushings	See Page 210

Extraction tool #16

Fig. 1



Fig. 2



Description	Part number
Fig. 1	RX2025GE1
Fig. 2 - Long endurance tool	RX2031J

Souriau UTSX series

1823 (Shell size 18, 23 x #16)

Contacts #16

Contact style	Contact type	Cable acceptance		Cable acceptance		Part number		Wire Ø max		Insulator Ø max	
		AWG	inch ²	mm ²	Male	Female	inch	mm	inch	mm	
Crimp contacts	Machined	30-28	0.002"-0.003"	0.05-0.08	RM28M1K ⁽¹⁾	RC28M1K ⁽¹⁾	0.021"	0.55	0.039"	1.00	
		26-24	0.005"-0.009"	0.13-0.25	RM24M9K ⁽¹⁾	RC24M9K ⁽¹⁾	0.031"	0.80	0.062"	1.58	
		22-20	0.012"-0.020"	0.32-0.52	RM20M13K ⁽¹⁾	RC20M13K ⁽¹⁾	0.045"	1.15	0.070"	1.80	
		22-20	0.012"-0.020"	0.32-0.52	RM20M12K ⁽¹⁾	RC20M12K ⁽¹⁾	0.045"	1.15	0.086"	2.20	
		20-16	0.020"-0.059"	0.52-1.48	RM16M23K ⁽¹⁾	RC16M23K ⁽¹⁾	0.070"	1.80	0.125"	3.20	
		16-14	0.059"-0.098"	1.48-2.48	RM14M30K ⁽¹⁾	RC14M30K ⁽¹⁾	0.090"	2.30	0.125"	3.20	
	Stamped and formed reeled contacts See note ⁽²⁾ for loose piece	26-24	0.005"-0.009"	0.13-0.25	SM24M1TK6 ⁽¹⁾⁽²⁾	SC24M1TK6 ⁽¹⁾⁽²⁾	-	-	0.035"-0.062"	0.90-1.58	
		22-20	0.012"-0.020"	0.32-0.52	SM20M1TK6 ⁽¹⁾⁽²⁾	SC20M1TK6 ⁽¹⁾⁽²⁾	-	-	0.047"-0.082"	1.20-2.10	
		18-16	0.031"-0.059"	0.80-1.48	SM16M1TK6 ⁽¹⁾⁽²⁾	SC16M1TK6 ⁽¹⁾⁽²⁾	-	-	0.125"	3.20	
		18-16	0.031"-0.059"	0.80-1.48	SM16M11TK6 ⁽¹⁾⁽²⁾	SC16M11TK6 ⁽¹⁾⁽²⁾	-	-	0.118"	3.00	
		14	0.098"	2.48	SM14M1TK6 ⁽¹⁾⁽²⁾	SC14M1TK6 ⁽¹⁾⁽²⁾	-	-	0.125"	3.20	
PCB	Machined ⁽³⁾	-	-	-	RM20M12E83K ⁽¹⁾	RC20M12E84K ⁽¹⁾	-	-	-	-	
Coaxial	Cable multipiece	see Page 202		-	RMDXK10D28	RCDXK1D28	-	-	-	-	
	Cable monocrimp	see Page 202		-	RMDX60xxD28	RCDX60xxD28	-	-	-	-	
	Twisted pair multipiece	see Page 202		-	RMDXK10D28 + yorx090	RCDXK1D28 + yorx090	-	-	-	-	
	Twisted pair monocrimp	see Page 202		-	RMDX60xxD28	RCDX60xxD28	-	-	-	-	
Fiber optic	POF contacts (Plastic optical fiber)	-	-	-	RMPOF1000	RCPOF1000B	-	-	-	-	
Hand solder	Loaded in the connector	14-18	0.098"-0.031"	2.48-0.80	-	-	-	-	-	-	

(1) Example of plating, for other plating see Page 198

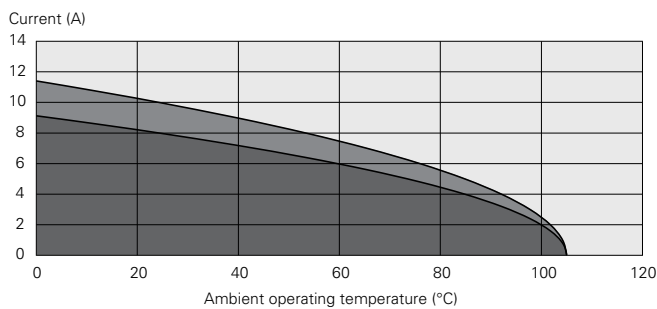
(2) Loose piece contact available by adding "L" after the "M" for the contact size and the plating. Example: SM20M1TK6 becomes SM20ML1TK6

(3) for dimensions see Page 205

Electrical characteristics

UL	CSA	IEC
UTSX 1823 9A 250V with AWG16 wire	5A 250V with AWG16 wire	8A 16V 2kV 3

UTSX 1823 derating curves



- Current use
- Limited use
- Not recommended use

Test conditions

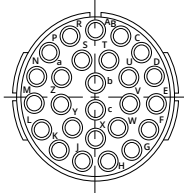
Contact used: machined contacts
Wires used: 16 AWG

Derating curves based on continuous current application.



Connector part number

UTSX 1626



26 contacts
4A/250V per UL 1977
with AWG20 wire

16E26 / 16D26

26 contacts
5A/250V per UL 1977
with AWG20 wire

Contact type	Connector type	Backshell	Part number Male insert	Female insert
Crimp contacts supplied separately see Page 187	Square flange receptacle	Without (Fig. 1)	UTSX01626P	UTSX01626S
	Square flange receptacle	Cable gland (Fig. 2)	UTSX0JC1626P	UTSX0JC1626S
	Free hanging receptacle	Cable gland (Fig. 3)	UTSX1JC1626P	UTSX1JC1626S
	Plug	Without (Fig. 4)	UTSX61626P	UTSX61626S
	Plug	Cable gland (Fig. 5)	UTSX6JC1626P	UTSX6JC1626S
	Jam nut receptacle	Without (Fig. 6)	UTSX71626P	UTSX71626S
	Jam nut receptacle with stand off and with hold down clips	Without (Fig. 8)	UTSX71626P32	UTSX71626S32
	PCB contacts supplied separately see Page 187	Square flange receptacle	Without (Fig. 1)	UTSX01626P
Jam nut receptacle		Without (Fig. 7)	UTSX71626P	UTSX71626S
Hand solder electrical contacts loaded see Page 187	Square flange receptacle	Without (Fig. 1)	UTSX016E26P	UTSX016E26S
	Plug	Without (Fig. 4)	UTSX616E26P	UTSX616E26S
	Plug	Cable gland (Fig. 5)	UTSX6JC16E26P	UTSX6JC16E26S
	Jam nut receptacle	Without (Fig. 6)	UTSX716E26P	UTSX716E26S
	Jam nut receptacle with stand off and with hold down clips	Without (Fig. 8)	UTSX716E26P32	UTSX716E26S32
PCB contacts loaded see Page 187	Square flange receptacle	Without (Fig. 3)	UTSX016D26P	UTSX016D26S
	Jam nut receptacle with stand off and without hold down clip	Without (Fig.7)	UTSX716D26P	UTSX716D26S
	Jam nut receptacle with stand off and with hold down clips	Without (Fig. 8)	UTSX716D26P32	UTSX716D26S32

For discrimination/keying methods see **Page 223**

Sealed unmated

Overmolded cable assembly part numbers

Please contact us directly for overmolded cable assemblies.

Souriau UTSX series

1626 - 16E26/16D26 (Shell size 16, 26 x #20)

Dimensions (For mated connector lengths see Page 215)

Square flange receptacle - UTSX0 and UTSX0JC

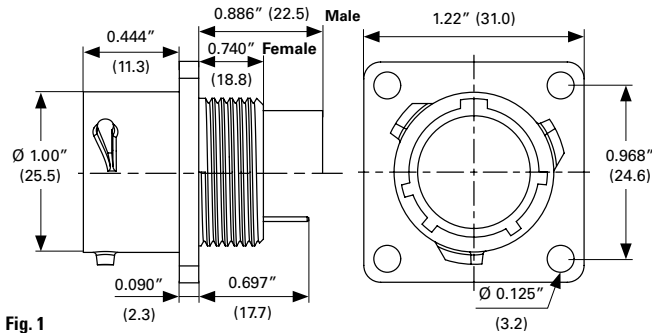


Fig. 1

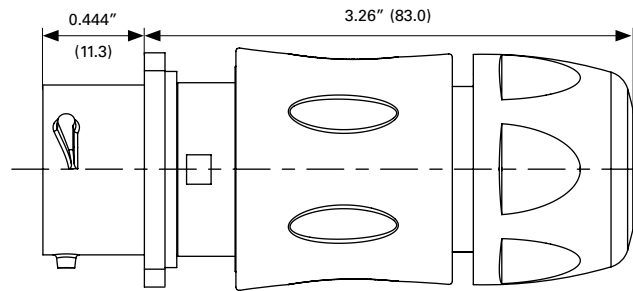


Fig. 2

Cable diameter acceptance: standard seal: from 0.472" to 0.630" (12 to 16), reduced seal: from 0.354" to 0.472" (9 to 12)

Free hanging - UTSX1JC and UTSXGJC

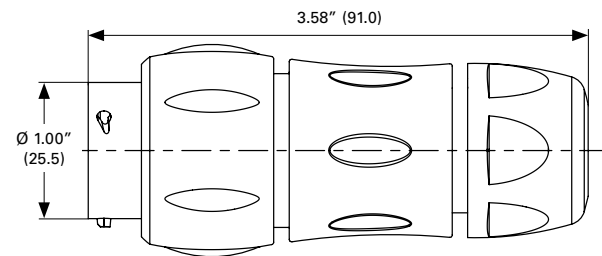


Fig. 3

Cable diameter acceptance: standard seal: from 0.472" to 0.630" (12 to 16), reduced seal: from 0.354" to 0.472" (9 to 12)

Plug - UTSX6 and UTSX6JC

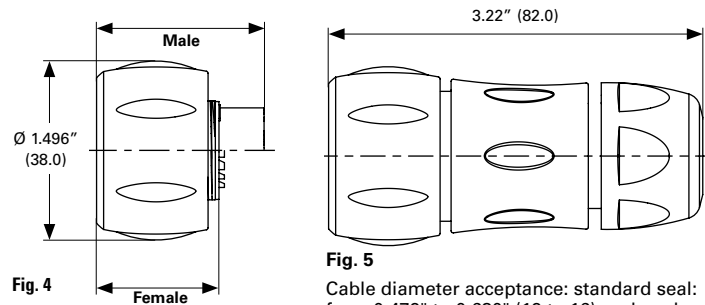


Fig. 4

Fig. 5

Cable diameter acceptance: standard seal: from 0.472" to 0.630" (12 to 16), reduced seal: from 0.354" to 0.472" (9 to 12)

Jam nut receptacle UTSX7

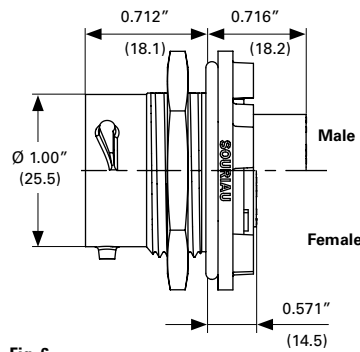


Fig. 6

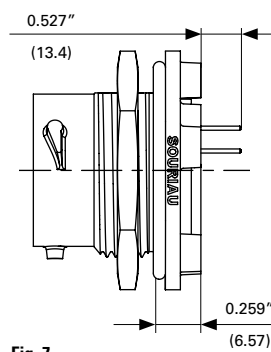


Fig. 7

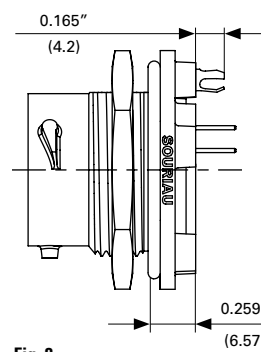
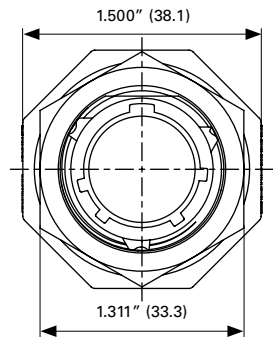
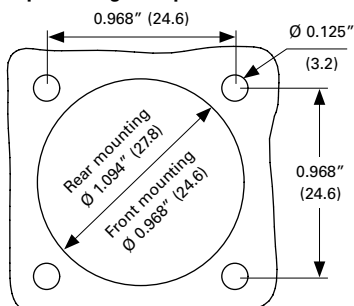


Fig. 8

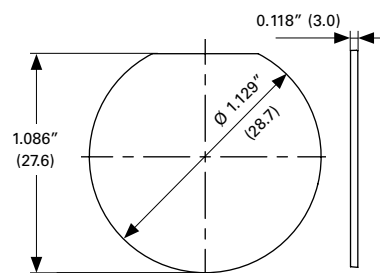


Panel cut out

Square flange receptacle - UTSX0



Jam nut receptacle - UTSX7



Dimensions in inches (millimeters)

Accessories

Jam nut and free hanging receptacle sealing caps



Description	Part number
IP68	UTS16DCG
IP68 - Metal terminal	UTS16DCGR

Square flange sealing cap



Description	Part number
IP68 - Metal terminal	UTS16DCGE

Plug sealing cap



Description	Part number
IP68	UTS616DCG

Plastic protective cap



Part number receptacle cap	Part number plug cap
85005589A	85005598

Gasket



Part number
UTFD15B

Color coding rings



Description	Part number receptacles	Part number plugs
G for Green	UTS716CCRG	UTS616CCRG
Y for Yellow	UTS716CCRY	UTS616CCRY
R for Red	UTS716CCRR	UTS616CCRR

Souriau UTSX series

1626 - 16E26/16D26 (Shell size 16, 26 x #20)

Tooling

#20 stamped or machined contacts



Description	Part number
Handle (without head)	Shandles
Box containing handle and several crimp tooling	Toolkit

Crimp tooling (without Shandles)



Contact size	Contacts	Part number of Head
Standard contacts #20 Ø 0.039" (1)	RM/RC 24W3K ⁽¹⁾	S20RCM*
	RM/RC 20W3K ⁽¹⁾	S20RCM*
	RM/RC 18W3K ⁽¹⁾	S20RCM*
	SM/SC 24WL3 ⁽¹⁾⁽²⁾	S20SCM20*
	SM/SC 20WL3 ⁽¹⁾⁽²⁾	S20SCM20*

(1) Example of plating, for other plating options see **Page 198**

(2) Loose contact

* Heads to be used with handle PN: SHANDLES



Extraction tool #20



Description	Part number
Contacts #20 Ø 0.039" (1)	RX20D44

Contacts #20

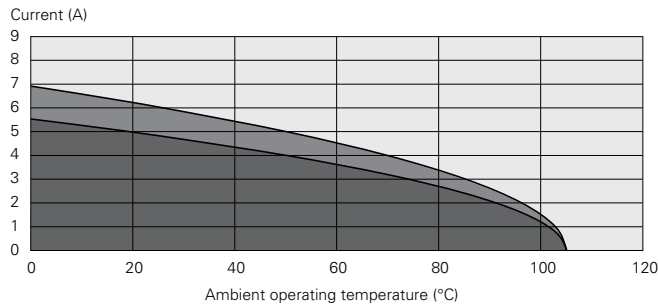
Contact style	Contact type	Cable acceptance		Part number	Wire Ø max		Insulator Ø max			
		AWG	inch ²		mm ²	inch	mm	inch	mm	
Crimp contacts	Machined	26-24	0.005"-0.009"	0.13-0.25	RM24W3K	RC24W3K	0.031"	0.80	0.062"	1.58
		22-20	0.012"-0.020"	0.32-0.52	RM20W3K	RC20W3K	0.045"	1.15	0.070"	1.80
		20-18	0.020"-0.031"	0.52-0.80	RM18W3K	RC18W3K	0.051"	1.30	0.082"	2.10
	Stamped and formed reeled contacts See note ⁽¹⁾ for loose piece	26-24	0.005"-0.009"	0.13-0.25	SM24W3TK6⁽¹⁾	SC24W3TK6⁽¹⁾	-	-	0.035"-0.062"	0.90-1.60
		26-24	0.005"-0.009"	0.13-0.25	SM24W3S26⁽¹⁾	SC24W3S25⁽¹⁾	-	-	0.035"-0.062"	0.90-1.60
		22-20	0.012"-0.020"	0.32-0.52	SM20W3TK6⁽¹⁾	SC20W3TK6⁽¹⁾	-	-	0.047"-0.082"	1.20-2.10
		22-20	0.012"-0.020"	0.32-0.52	SM20W3S26⁽¹⁾	SC20W3S25⁽¹⁾	-	-	0.047"-0.082"	1.20-2.10

(1) Loose piece contact available by adding "L" after the "M" for the contact size and the plating. Example: SM20W3TK6 becomes SM20WL3TK6

Electrical characteristics

UL	CSA	IEC
UTSX 1626 4A 250V with AWG20 wire	2A 250V with AWG20 wire	4.5A 32V 1.5kV 2
UTSX 16E26/16D26 5A 250V with AWG20 wire	4A 250V with AWG20 wire	5A 32V 1.5kV 3

UTSX 1626 - 16E26/16D26 derating curves



- Current use
- Limited use
- Not recommended use

Test conditions

Contact used: machined contacts
Wires used: 20 AWG

Derating curves based on continuous current application.

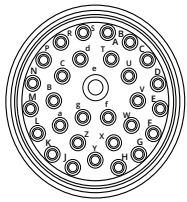
Souriau UTSX series

18E30/18D30 (Shell size 18, 29 x #20, 1 x #16)



Connector part number

UTSX 18E30 /18D30



30 contacts
13A/250V per UL 1977
with AWG16 wire

Contact type	Connector type	Backshell	Part number Male insert	Female insert
Hand solder electrical contacts loaded see Page 191	Square flange receptacle	Without (Fig. 1)	UTSX018E30P	UTSX018E30S
	Plug	Without (Fig. 4)	UTSX618E30P	UTSX618E30S
	Plug	Cable gland (Fig. 5)	UTSX6JC18E30P	UTSX6JC18E30S
	Jam nut receptacle	Without (Fig. 6)	UTSX718E30P	UTSX718E30S
	Jam nut receptacle with stand off and with hold down clips	Without (Fig. 8)	UTSX718E30P32	UTSX718E30S32
PCB contacts loaded see Page 191	Square flange receptacle	Without (Fig. 3)	UTSX018D30P	UTSX018D30S
	Jam nut receptacle with stand off and without hold down clip	Without (Fig.7)	UTSX718D30P	UTSX718D30S
	Jam nut receptacle with stand off and with hold down clips	Without (Fig. 8)	UTSX718D30P32	UTSX718D30S32

For discrimination/keying methods see **Page 223**

Sealed unmated

Overmolded cable assembly part numbers

Please contact us directly for overmolded cable assemblies.

Dimensions (For mated connector lengths see Page 215)

Square flange receptacle - UTSX0 and UTSX0JC

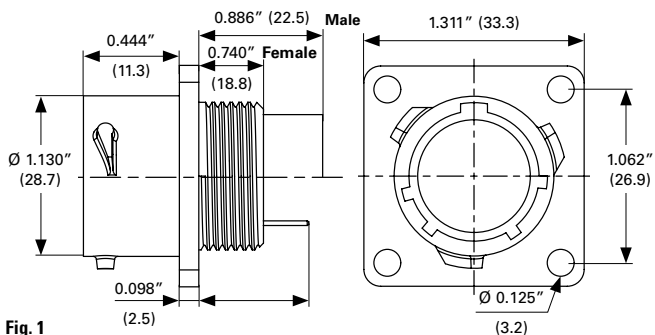


Fig. 1

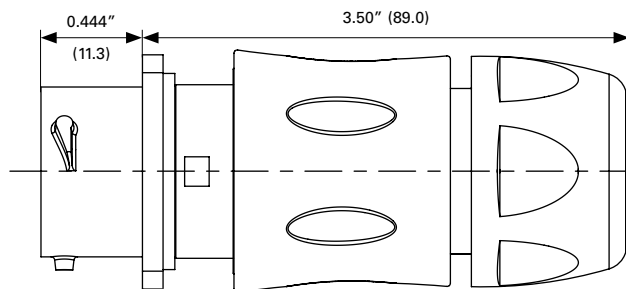


Fig. 2

Cable diameter acceptance: standard seal: from 0.512" to 0.709" (13 to 18), reduced seal: from 0.433" to 0.590" (11 to 15)

Free hanging - UTSX1JC and UTSXGJC

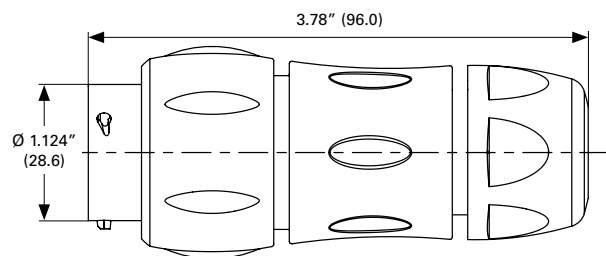


Fig. 3

Cable diameter acceptance: standard seal: from 0.512" to 0.709" (13 to 18), reduced seal: from 0.433" to 0.590" (11 to 15)

Plug - UTSX6 and UTSX6JC

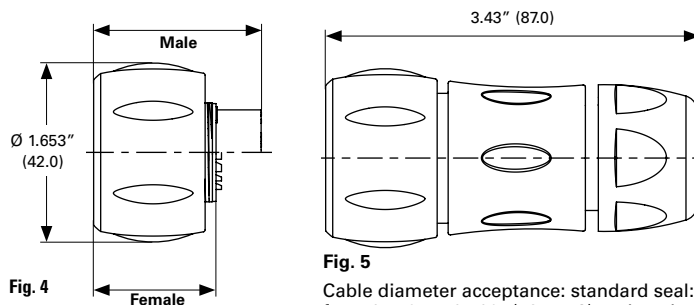


Fig. 4

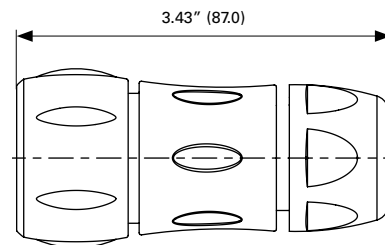


Fig. 5

Cable diameter acceptance: standard seal: from 0.512" to 0.709" (13 to 18), reduced seal: from 0.433" to 0.590" (11 to 15)

Jam nut receptacle UTSX7

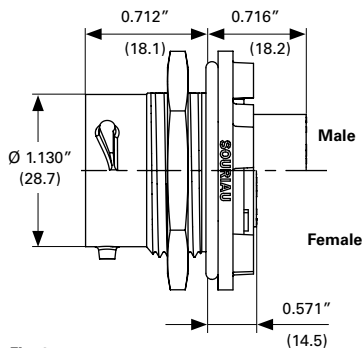


Fig. 6

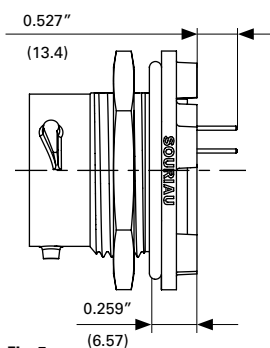


Fig. 7

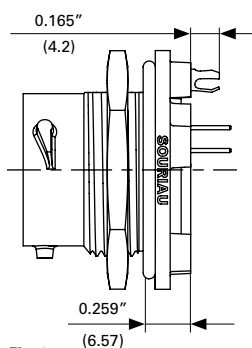
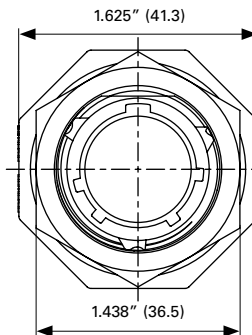
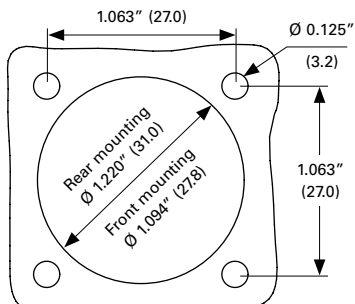


Fig. 8

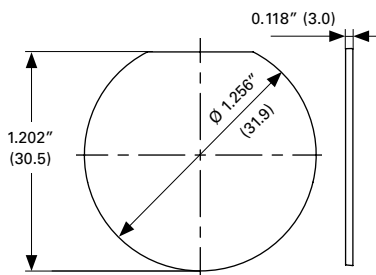


Panel cut out

Square flange receptacle - UTSX0



Jam nut receptacle - UTSX7



Dimensions in inches (millimeters)

Souriau UTSX series

18E30/18D30 (Shell size 18, 29 x #20, 1 x #16)

Accessories

Jam nut and free hanging receptacle sealing caps



Description	Part number
IP68	UTS18DCG
IP68 - Metal terminal	UTS18DCGR

Square flange sealing cap



Description	Part number
IP68 - Metal terminal	UTS18DCGE

Plug sealing cap



Description	Part number
IP68	UTS618DCG

Plastic protective cap



Part number receptacle cap	Part number plug cap
85005590A	85005599

Gasket



Part number
UTFD16B

Color coding rings

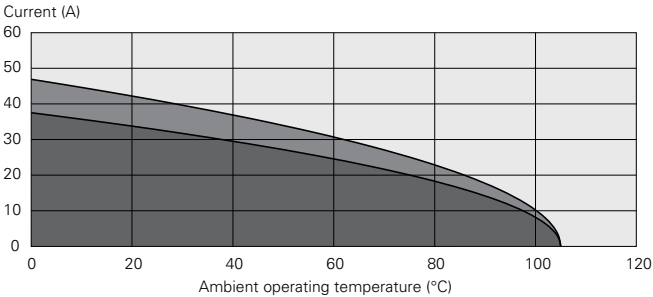


Description	Part number receptacles	Part number plugs
G for Green	UTS718CCRG	UTS618CCRG
Y for Yellow	UTS718CCRY	UTS618CCRY
R for Red	UTS718CCRR	UTS618CCRR

Electrical characteristics

UL	CSA	IEC
UTSX 18E30/18D30 13A 250V with AWG16 wire	7.5A 250V with AWG16 wire	13A 20V 2kV 3

UTSX 18E30/18D30 derating curves



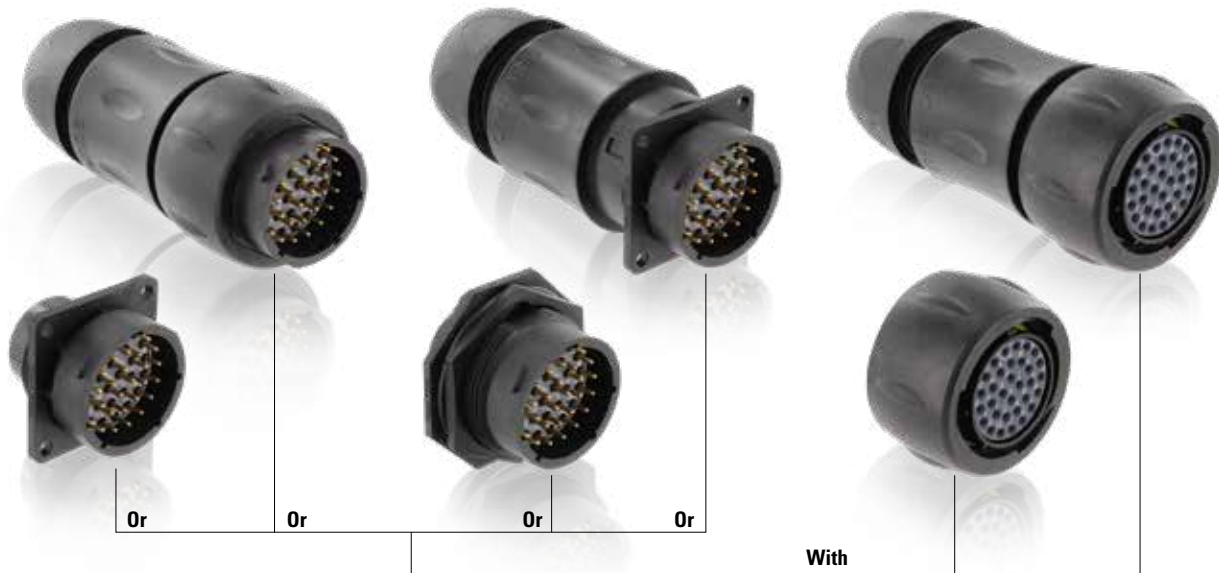
- Current use
- Limited use
- Not recommended use

Test conditions
 Contact used: machined contacts
 Wires used: 16 AWG

Derating curves based on continuous current application.

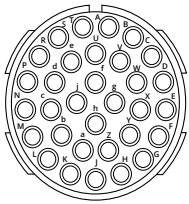
Souriau UTSX series

1832 - 18E32/18D32 (Shell size 18, 32 x #20)



Connector part number

UTSX 1832



32 contacts
4A/250V per UL 1977
with AWG20 wire

18E32 /18D32

32 contacts
5A/250V per UL 1977
with AWG20 wire

Contact type	Connector type	Backshell	Part number Male insert	Female insert
Crimp contacts supplied separately see Page 196	Square flange receptacle	Without (Fig. 1)	UTSX01832P	UTSX01832S
	Square flange receptacle	Cable gland (Fig. 2)	UTSX0JC1832P	UTSX0JC1832S
	Free hanging receptacle	Cable gland (Fig. 3)	UTSX1JC1832P	UTSX1JC1832S
	Plug	Without (Fig. 4)	UTSX61832P	UTSX61832S
	Plug	Cable gland (Fig. 5)	UTSX6JC1832P	UTSX6JC1832S
	Jam nut receptacle	Without (Fig. 6)	UTSX71832P	UTSX71832S
	Jam nut receptacle with stand off and with hold down clips	Without (Fig. 8)	UTSX71832P32	UTSX71832S32
PCB contacts supplied separately see Page 196	Square flange receptacle	Without (Fig. 1)	UTSX01832P	UTSX01832S
	Jam nut receptacle	Without (Fig. 7)	UTSX71832P	UTSX71832S
Hand solder electrical contacts loaded see Page 196	Square flange receptacle	Without (Fig. 1)	UTSX018E32P	UTSX018E32S
	Plug	Without (Fig. 4)	UTSX618E32P	UTSX618E32S
	Plug	Cable gland (Fig. 5)	UTSX6JC18E32P	UTSX6JC18E32S
	Jam nut receptacle	Without (Fig. 6)	UTSX718E32P	UTSX718E32S
	Jam nut receptacle with stand off and with hold down clips	Without (Fig. 8)	UTSX718E32P32	UTSX718E32S32
PCB contacts loaded see Page 196	Square flange receptacle	Without (Fig. 3)	UTSX018D32P	UTSX018D32S
	Jam nut receptacle with stand off and without hold down clip	Without (Fig.7)	UTSX718D32P	UTSX718D32S
	Jam nut receptacle with stand off and with hold down clips	Without (Fig. 8)	UTSX718D32P32	UTSX718D32S32

For discrimination/keying methods see **Page 223**

Sealed unmatd

Overmolded cable assembly part numbers

Please contact us directly for overmolded cable assemblies.

Dimensions (For mated connector lengths see Page 215)

Square flange receptacle - UTSX0 and UTSX0JC

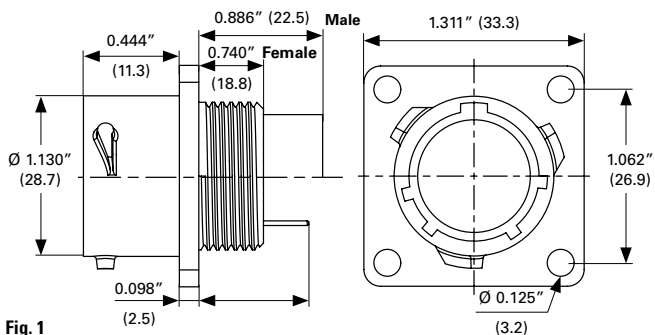


Fig. 1

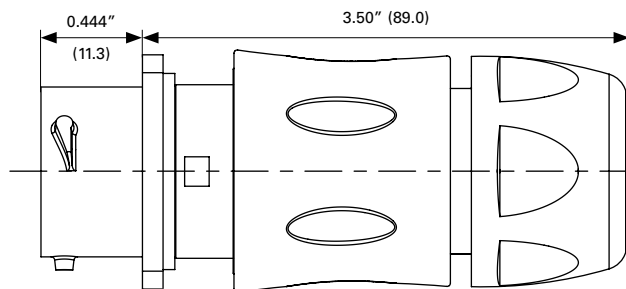


Fig. 2

Cable diameter acceptance: standard seal: from 0.512" to 0.709" (13 to 18), reduced seal: from 0.433" to 0.590" (11 to 15)

Free hanging - UTSX1JC and UTSXGJC

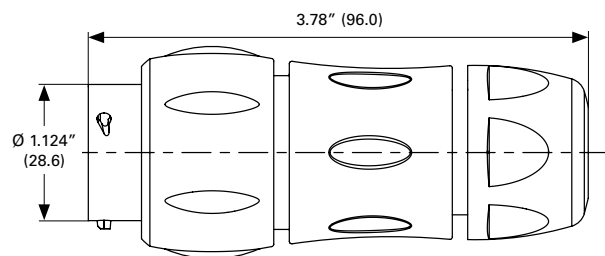


Fig. 3

Cable diameter acceptance: standard seal: from 0.512" to 0.709" (13 to 18), reduced seal: from 0.433" to 0.590" (11 to 15)

Plug - UTSX6 and UTSX6JC

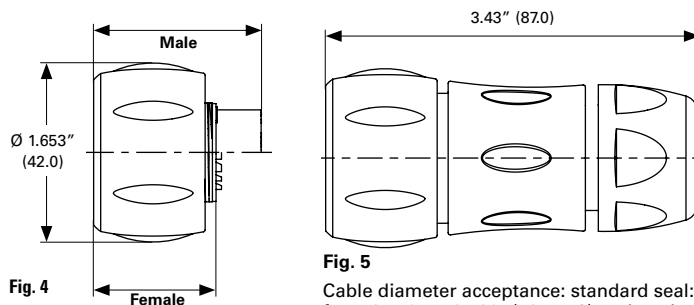


Fig. 4

Fig. 5

Cable diameter acceptance: standard seal: from 0.512" to 0.709" (13 to 18), reduced seal: from 0.433" to 0.590" (11 to 15)

Jam nut receptacle UTSX7

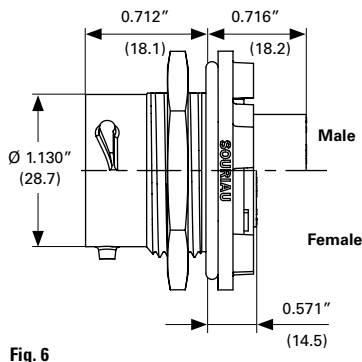


Fig. 6

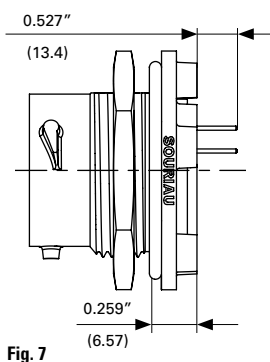


Fig. 7

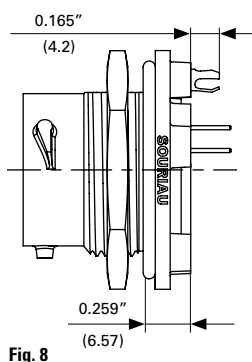
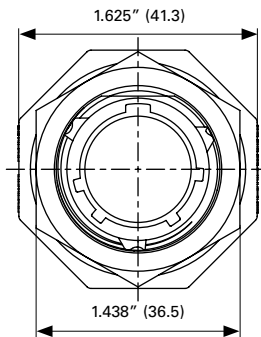
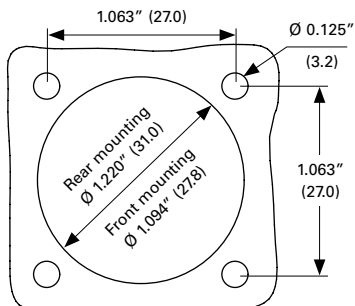


Fig. 8

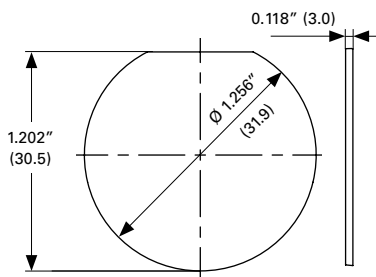


Panel cut out

Square flange receptacle - UTSX0



Jam nut receptacle - UTSX7



Dimensions in inches (millimeters)

Souriau UTSX series

1832 - 18E32/18D32 (Shell size 18, 32 x #20)

Accessories

Jam nut and free hanging receptacle sealing caps



Description	Part number
IP68	UTS18DCG
IP68 - Metal terminal	UTS18DCGR

Square flange sealing cap



Description	Part number
IP68 - Metal terminal	UTS18DCGE

Plug sealing cap



Description	Part number
IP68	UTS618DCG

Plastic protective cap



Part number receptacle cap	Part number plug cap
85005590A	85005599

Gasket



Part number
UTFD16B

Color coding rings



Description	Part number receptacles	Part number plugs
G for Green	UTS718CCRG	UTS618CCRG
Y for Yellow	UTS718CCRY	UTS618CCRY
R for Red	UTS718CCRR	UTS618CCRR

Tooling

#20 stamped or machined contacts



Description	Part number
Handle (without head)	Shandles
Box containing handle and several crimp tooling	Toolkit

Crimp tooling (without Shandles)



Contact size	Contacts	Part number of Head
Standard contacts #20 Ø 0.039" (1)	RM/RC 24W3K ⁽¹⁾	S20RCM*
	RM/RC 20W3K ⁽¹⁾	S20RCM*
	RM/RC 18W3K ⁽¹⁾	S20RCM*
	SM/SC 24WL3 ⁽¹⁾⁽²⁾	S20SCM20*
	SM/SC 20WL3 ⁽¹⁾⁽²⁾	S20SCM20*

(1) Example of plating, for other plating options see **Page 198**

(2) Loose contact

* Heads to be used with handle PN: SHANDLES

Extraction tool #20



Description	Part number
Contacts #20 Ø 0.039" (1.0)	RX20D44

Souriau UTSX series

1832 - 18E32/18D32 (Shell size 18, 32 x #20)

Contacts #20

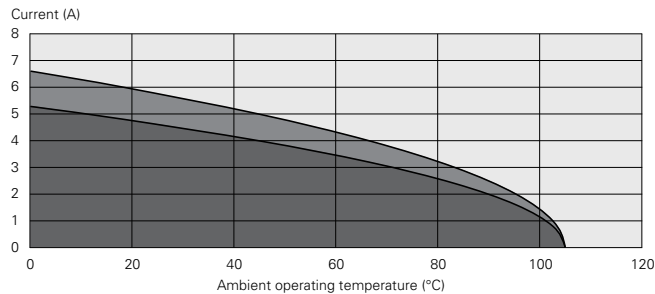
Contact style	Contact type	Cable acceptance		Part number	Wire Ø max		Insulator Ø max			
		AWG	inch ²		mm ²	Male	Female	inch	mm	
Crimp contacts	Machined	26-24	0.005"-0.009"	0.13-0.25	RM24W3K	RC24W3K	0.031"	0.80	0.062"	1.58
		22-20	0.012"-0.020"	0.32-0.52	RM20W3K	RC20W3K	0.045"	1.15	0.070"	1.80
		20-18	0.020"-0.031"	0.52-0.80	RM18W3K	RC18W3K	0.051"	1.30	0.082"	2.10
	Stamped and formed reeled contacts See note ⁽¹⁾ for loose piece	26-24	0.005"-0.009"	0.13-0.25	SM24W3TK6⁽¹⁾	SC24W3TK6⁽¹⁾	-	-	0.035"-0.062"	0.90-1.60
		26-24	0.005"-0.009"	0.13-0.25	SM24W3S26⁽¹⁾	SC24W3S25⁽¹⁾	-	-	0.035"-0.062"	0.90-1.60
		22-20	0.012"-0.020"	0.32-0.52	SM20W3TK6⁽¹⁾	SC20W3TK6⁽¹⁾	-	-	0.047"-0.082"	1.20-2.10
22-20	0.012"-0.020"	0.32-0.52	SM20W3S26⁽¹⁾	SC20W3S25⁽¹⁾	-	-	0.047"-0.082"	1.20-2.10		

(1) Loose piece contact available by adding "L" after the "M" for the contact size and the plating. Example: SM20W3TK6 becomes SM20WL3TK6

Electrical characteristics

UL	CSA	IEC
UTSX 1832 4A 250V with AWG20 wire	2A 250V with AWG20 wire	4A 32V 1.5kV 2
UTSX 18E32/18D32 5A 250V with AWG20 wire	4A 250V with AWG20 wire	4.5A 32V 2kV 3

UTSX 1832 - 18E32/18D32 derating curves



- Current use
- Limited use
- Not recommended use

Test conditions

Contact used: machined contacts
Wires used: 20 AWG

Derating curves based on continuous current application.

UTSX contacts

The TRIM TRIO® product line uses the same contact style in any layout, with the same active part size (i.e. #20, #16, #12, etc.). This allows you to use one type of contact to equip all of your Souriau connectors in the TRIM TRIO® product line.

Please note that the UTSX series is delivered with solder or PCB contacts for Hi-seal versions and without contacts for standard crimp versions. The benefit of this standardization is to drastically reduce inventory costs. In addition, it eliminates the need for additional tooling and simplifies the assembly process. Souriau TRIM TRIO® contacts are designed for simple snap-in installation and further eliminate the need for an insertion tool.

Contact plating selector guide

Once the contact size has been selected, the next step determine which electrical contact type should be used. We offers two main types of electrical contacts:

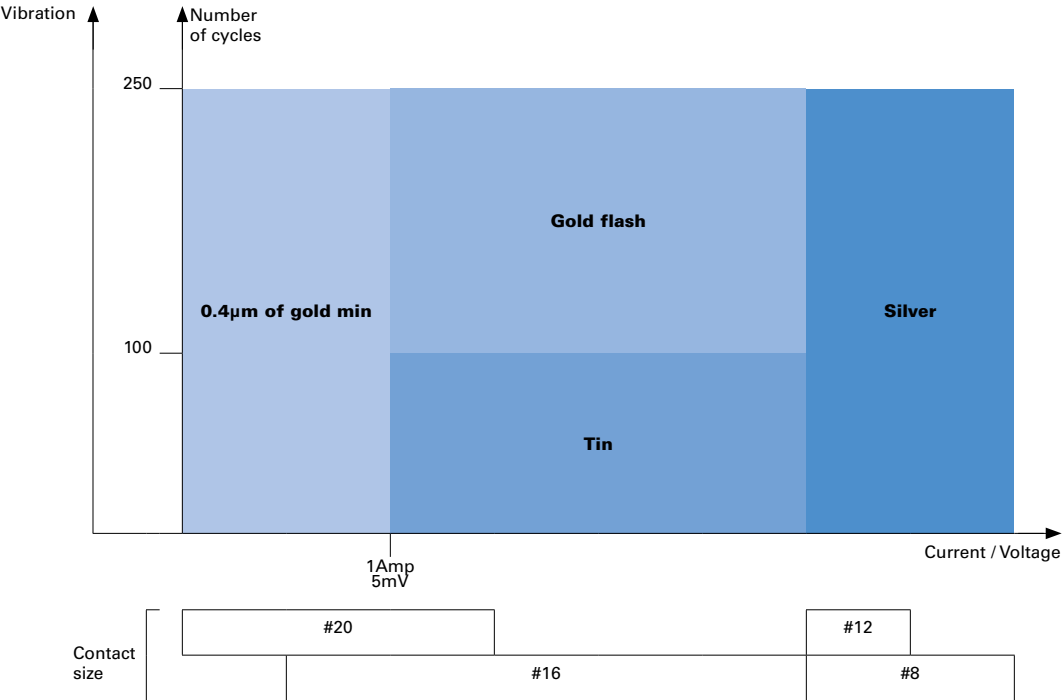
- Machined
- Stamped and formed



Machined contacts are generally selected as a better solution for power applications or when lower quantities are needed. Stamped and formed contacts offer the ability to be crimped automatically which makes them more suitable for high volume production applications.

The ideal plating is selected based on your application. Use the graph below to identify a plating based on the number of mating cycles, vibration and current/voltage needs for your application.

Note: Do not mix different plating (i.e. tin plated pin contacts with gold plated socket contacts).



Machined contacts

Contact size	Contact type	Active area
#20 Ø 0.039" (1)	K	0.4µm Gold over 2µm Nickel min
#16 Ø 0.062" (1.6)	K	0.4µm Gold over 2µm Nickel min
	J	Gold flash over Nickel 2µm min
	T	Tin 3µm (-0/+2) over 1.3µm Nickel min
	D28 for Coax contacts only	0.75µm min Gold over 2µm Nickel min
#12 Ø 0.094" (2.4)	A	2µm Nickel + 2µm Ag
	K	0.4µm Gold over 2µm Nickel min
#8 Ø 0.141" (3.6)	A	2µm Nickel + 2µm Ag

Stamped and formed contacts

Contact size	Plating code	Plating description	Active area	Other area
#20 Ø 0.039" (1)	S25 (female)	0.75µm Gold min over Nickel		Gold flash over Nickel
	S26 (male)	0.75µm Gold min over Nickel		Gold flash over Nickel
	TK6	0.5µm - 2.5µm Sn pre-plated		-
#16 Ø 0.062" (1.6)	S31	Gold flash over Nickel		Crimped area: 1.3µm
	S18	0.75µm Gold min over Nickel		Tin min over Nickel
				Other areas: 1.3µm
D70	0.13µm Gold min over Nickel		Gold flash over Nickel	
	TK6	0.5µm - 2.5µm Sn pre-plated		-

Contacts supplied separately

Contact size	Contact type	Resistance
Electrical characteristics: contact resistance		
#20 Ø 0.039" (1)	Machined	< 6mΩ
	Stamped and formed	< 6mΩ
#16 Ø 0.062" (1.6)	Machined	< 3mΩ
	Stamped and formed	< 6mΩ
#12 Ø 0.094" (2.4)	Machined	< 5mΩ
#8 Ø 0.141" (3.6)	Machined	< 5mΩ

TRIMTRIO® contacts are available in a wide variety of packaging, from very small quantities (small bulk packaging) to very large quantities (reeled parts).

Contacts size #20 / Ø 0.039" (1) and #16 / Ø 0.062" (1.6)

Stamped and formed contacts



Description	Number
Loose package	25 pieces
Reeled	3,000 pieces

Machined contacts



Description	Number
Bulk package	50 pieces
Bulk package	1,000 pieces
Reeled size #16 only	2,000 pieces

Contacts machined size #12 / Ø 0.094" (2.4) and #8 / Ø 0.141" (3.6)

Machined contacts



Description	Number
Bulk package	100 pieces

Note: 1,000 pieces bulk package available by adding 1000 at the end of the part number: e.g. RC16M23K1000 2,000 pieces reeled package available by adding K at the beginning of the part number: e.g. KRC16M23K

Standard version

Contact size	Type	Wire size			Part number		Insulator Ø max		Available plating see Page 126
		AWG	inch ²	mm ²	Male	Female	inch	mm	
#20 Ø 0.039" (1)	Machined	26-24	0.005"-0.007"	0.13-0.20	RM24W3K	RC24W3K	0.062" max	1.58 max	K
	Stamped and formed	26-24	0.005"-0.009"	0.13-0.25	SM24W3⁽¹⁾	SC24W3⁽¹⁾	0.035"-0.062"	0.89-1.58	TK6 S25 (female) S26 (male)
	Stamped and formed	26-24	0.005"-0.009"	0.13-0.25	SM24WL3⁽²⁾	SC24WL3⁽²⁾	0.035"-0.062"	0.89-1.58	TK6 S25 (female) S26 (male)
	Machined	22-20	0.012"-0.020"	0.32-0.52	RM20W3K	RC20W3K	0.062" max	1.58 max	K
	Stamped and formed	22-20	0.013"-0.019"	0.35-0.5	SM20W3⁽¹⁾	SC20W3⁽¹⁾	0.046"-0.081"	1.17-2.08	TK6 S25 (female) S26 (male)
	Stamped and formed	22-20	0.013"-0.019"	0.35-0.5	SM20WL3⁽²⁾	SC20WL3⁽²⁾	0.046"-0.081"	1.17-2.08	TK6 S25 (female) S26 (male)
	Machined	20-18	0.019"-0.031"	0.5-0.80	RM18W3K	RC18W3K	0.082" max	2.10 max	K
#16 Ø 0.062" (1.6)	Machined	30-28	0.002"-0.003"	0.05-0.08	RM28M1-	RC28M1-	0.043"	1.1	K, J
	Machined	26-24	0.005"-0.007"	0.13-0.2	RM24M9-	RC24M9-	0.062"	1.6	K, J
	Stamped and formed	26-24	0.005"-0.009"	0.13-0.25	SM24M1⁽¹⁾ SM24ML1⁽²⁾	SC24M1⁽¹⁾ SC24ML1⁽²⁾	0.089"-0.062"	0.89-1.58	S31, S18, TK6
	Machined	22-20	0.012"-0.020"	0.32-0.52	RM20M13-	RC20M13-	0.070"	1.8	K, J
	Machined	22-20	0.012"-0.020"	0.32-0.52	RM20M12-	RC20M12-	0.086"	2.2	K, J
	Stamped and formed	22-20	0.013"-0.019"	0.35-0.5	SM20M1⁽¹⁾ SM20ML1⁽²⁾	SC20M1⁽¹⁾ SC20ML1⁽²⁾	0.046"-0.081"	1.17-2.08	S31, S18, TK6
	Machined	18-16	0.031"-0.059"	0.92-1.5	RM16M23-	RC16M23-	0.125"	3.2	K, J
	Stamped and formed	18-16	0.031"-0.059"	0.8-1.5	SM16M1⁽¹⁾ SM16ML1⁽²⁾	SC16M1⁽¹⁾ SC16ML1⁽²⁾	No insulation grip	No insulation grip	S31, S18, TK6
	Stamped and formed	18-16	0.031"-0.059"	0.8-1.5	SM16M11⁽¹⁾ SM16ML11⁽²⁾	SC16M11⁽¹⁾ SC16ML11⁽²⁾	0.081"-0.118"	2.08-3.0	S31, S18, TK6
	Machined	16-14	0.059"-0.098"	1.5-2.5	RM14M30-	RC14M30-	0.125"	3.2	K, J
Stamped and formed	14	0.078"-0.098"	2.0-2.5	SM14M1⁽¹⁾ SM14ML1⁽²⁾	SC14M1⁽¹⁾ SC14ML1⁽²⁾	No insulation grip	No insulation grip	S31, S18, TK6	
#12 Ø 0.094" (2.4)	Machined	20	0.020"-0.015"	0.52-0.4	82911457N-	82911456-	0.157"	4.0	A, K
	Machined	20	0.019"	0.5	82911459N-	82911458-	0.157"	4.0	A, K
	Machined	18	0.2.952"-0.039"	0.75-1.0	82911461N-	82911460-	0.157"	4.0	A, K
	Machined	16	0.059"	1.5	82911463N-	82911462-	0.157"	4.0	A, K
	Machined	14	0.098"	2.5	82911465N-	82911464-	0.157"	4.0	A, K
	Machined	12	0.157"	4	82911467N-	82911466-	0.157"	4.0	A, K
#8 Ø 0.141" (Ø 3.6)	Machined	16	0.059"	1.5	82913601A	82913600A	0.248"	6.3	A
	Machined	14	0.098"	2.5	82913603A	82913602A	0.248"	6.3	A
	Machined	12	0.157"	4	82913605A	82913604A	0.248"	6.3	A
	Machined	10	0.236"	6.0	82913607A	82913606A	0.248"	6.3	A
	Machined	8	0.393"	10.0	82913609A	82913608A	0.248"	6.3	A

(1) contact reeled

(2) loose contact

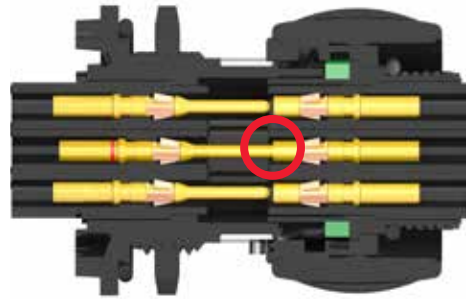
Example: RM24W3K - Size #20, Machined, AWG24 wire.

First mate, last break male contacts

The layouts UTSX103, UTSX124, UTSX12E4/12D4, UTSX142G1, UTSX147 and UTSX14E7/14D7 are already designed to have a first mate, last break connection on the ground line. That's why, for cavities marked with the ground symbol, standard contacts will fulfill the same role as a first mate, last break contact used in a standard cavity.

For the other layouts (without ground marking) a specific contact is necessary to achieve ground connection.

Please choose your contact from the table below.

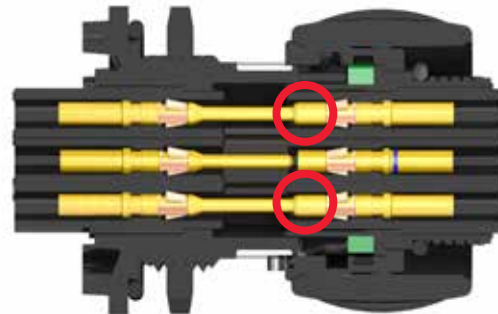


Contact size	Type	Wire size		Part number	Wire Ø max		Insulator Ø max		Color band		Available plating see Page 126	
		AWG	inch ²		mm ²	inch	mm	inch	mm	Front		Rear
#16 Ø 0.062" (1.6)	Machined	30-28	0.002"-0.003"	0.05-0.08	RM28M1GE1K	0.021"	0.55	0.039"	1.0	-	Red	K
	Machined	26-24	0.005"-0.007"	0.13-0.2	RM24M9GE1K	0.031"	0.8	0.062"	1.6	Red	Red	K
Longer male contact +0.039" (+1)	Machined	22-20	0.012"-0.020"	0.32-0.52	RM20M12GE1K	0.045"	1.15	0.086"	2.2	Blue	Red	K
	Machined	18-16	0.031"-0.059"	0.92-1.5	RM16M23GE1K	0.070"	1.8	0.125"	3.2	-	Red	K
	Machined	16-14	0.059"-0.098"	1.5-2.5	RM14M30GE1K	0.089"	2.26	-	-	-	Red	K

Last break, first mate female contacts

In order to create a last break, first mate connection, a shorter female contact is necessary. On the other side, a standard male contact can be used.

A complete offer of contacts is available to realize this connection type according the wire section used for our contact #16. Please choose your contact from the table below.



Contact size	Type	Wire size		Part number	Wire Ø max		Insulator Ø max		Color band		Available plating see Page 126	
		AWG	inch ²		mm ²	inch	mm	inch	mm	Front		Rear
#16 Ø 0.062" (1.6)	Machined	30-28	0.002"-0.003"	0.05-0.08	RC28M1GE7K	0.021"	0.55	0.039"	1.0	-	Blue	K
	Machined	26-24	0.005"-0.007"	0.13-0.2	RC24M9GE7K	0.031"	0.8	0.062"	1.6	Red	Blue	K
Shorter female contact -0.027" (-0.7)	Machined	22-20	0.012"-0.020"	0.32-0.52	RC20M13GE7K	0.045"	1.15	0.070"	1.8	Black	Blue	K
	Machined	22-20	0.012"-0.020"	0.32-0.52	RC20M12GE7K	0.045"	1.15	0.086"	2.2	Blue	Blue	K
	Machined	18-16	0.031"-0.059"	0.92-1.5	RC16M23GE1K	0.070"	1.8	0.125"	3.2	-	Blue	K
	Machined	16-14	0.059"-0.098"	1.5-2.5	RC14M30GE1K	0.089"	2.26	-	-	-	Blue	K

Dimensions in inches (millimeters)

Souriau UTSX series

Coaxial contacts

We provides two types of coaxial contacts suitable for 48 or 75Ω, coaxial cable or twisted pair cable.

Monocrimp coaxial contact

- The monocrimp one-piece coaxial contacts offer high reliability plus the economic advantage of a 95% reduction in installation time over conventional assembly methods. This is achieved by simultaneously crimping both the inner conductor and outer braid or drain wire.



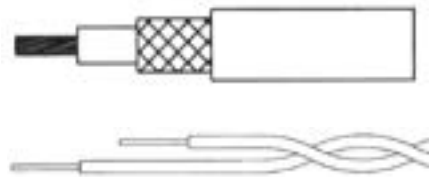
Multipiece crimp coaxial contact

- The inner conductor and outer braid is crimped individually.
- The thermoplastic insulating bushing in the outer body is designed to accept and permanently retain the inner contact.
- An outer ferrule is used to connect the braid to the outer contact and provide cable support to ensure against bending and vibration.



Suitable for coaxial cable or twisted cable

- For jacket diameter from 0.070" to 0.120" (1.78 to 3.05). Inner conductor up to 0.096" (2.42) diameter
- For jacket diameter from 0.025" to 0.057" (0.64 to 1.45). Inner conductor from AWG30 to AWG24



Contacts for coaxial cable summary

Contact type	Contact range	
	Male contact	Female contact
Multipiece	RMDXK10D28	RCDXK1D28
Monocrimp	RMDX60xxD28	RCDX60xxD28

Contacts for twisted pairs cable summary

Contact type	Contact range	
	Male contact	Female contact
Multipiece	RMDXK10D28 + Yorx090	RCDXK1D28 + Yorx090
Monocrimp	RMDX60xxD28	RCDX60xxD28

Coaxial cable - contact monocrimp and multipiece

Cable type	Impedance	Contact type	Ø over jacket		Ø over dielectric		Inner cond size Ext. Ø		Ø outer braid		Male contact kit for coaxial cable	Female contact kit for coaxial cable
			inch	mm	inch	mm	inch	mm	inch	mm		
RG161/U	75	Multi piece	0.09"	2.29	0.057"	1.45	–	–	–	–	RMDXK10D28	RCDXK1D28
RG179A/U	75	Multi piece	0.105"	2.67	0.063"	1.6	0.011"	0.3	0.084" max	2.13 max	RMDXK10D28	RCDXK1D28
RG179B/U	75	Multi piece	0.105"	2.67	0.063"	1.6	0.011"	0.3	0.084" max	2.13 max	RMDXK10D28	RCDXK1D28
RG187/U	75	Multi piece	0.11" max	2.79 max	0.06"	1.52	0.011"	0.3	–	–	RMDXK10D28	RCDXK1D28
RG188/U	48	Multi piece	0.11" max	2.79 max	0.06"	1.52	0.020"	0.51	0.078" max	1.98 max	RMDXK10D28	RCDXK1D28
RG174/U	48	Multi piece	0.11"	2.92	0.06"	1.52	0.018"	0.05	0.088" max	2.24 max	RMDXK10D28	RCDXK1D28
AMPHENOL 21–598	48	Multi piece	0.105"	2.67	0.06"	1.52	0.018"	0.05	–	–	RMDXK10D28	RCDXK1D28
RG196/U	48	Multi piece	0.08" max	2.03 max	0.034"	0.86	0.011"	0.3	–	–	RMDXK10D28	RCDXK1D28
RG152A/U	48	Multi piece	0.075"	1.91	0.034"	0.84	0.011"	0.3	0.054" max	1.37 max	RMDXK10D28	RCDXK1D28
RG188A/U	48	Mono crimp	0.110"	2.79	0.06"	1.52	0.020"	0.51	0.078" max	1.98 max	RMDX6036D28	RCDX6036D28
KX21TVT (europe) RG152 B/U	48	Mono crimp	0.075"	1.91	0.034"	0.84	0.011"	0.3	0.054" max	1.37 max	RMDX6034D28	RCDX6034D28
RG152 / BU	48	Mono crimp	0.075"	1.91	0.034"	0.84	0.011"	0.3	0.054" max	1.37 max	RMDX6050D28	RCDX6016D28
RG174/U	48	Mono crimp	0.115"	2.92	0.06"	1.52	0.018"	0.05	0.088" max	2.24 max	RMDX6032D28	RCDX6032D28
RG188A/U	48	Mono crimp	0.11"	2.79	0.06"	1.52	0.020"	0.51	0.078" max	1.98 max	RMDX6036D28	RCDX6036D28
RG316/U	48	Mono crimp	0.107"	2.72	0.06"	1.52	0.020"	0.51	0.078" max	2.05 max	RMDX6036D28	RCDX6036D28
raychem 5024A3111	48	Mono crimp	0.12"	3.05	0.083"	2.11	0.025"	0.64	0.097"	2.46	RMDX6052D28	RCDX6052D28
raychem 5026e1614	48	Mono crimp	0.083"	2.11	0.05"	1.27	0.018"	0.05	0.067"	1.7	RMDX6036D28	RCDX6036D28
surprenant pn 8134	–	Multi piece	0.1"	2.54	0.058"	1.47	0.011"	0.3	–	–	RMDXK10D28	RCDXK1D28
PRD PN 247AS- C1123–001	–	Mono crimp	0.103"	2.62	0.06"	1.52	0.020"	0.51	0.078"	1.98	RMDX6018D28	RCDX6018D28
PRD PN 247AS–C1251	–	Mono crimp	0.092"	2.34	0.05"	1.27	0.025"	0.64	0.067"	1.7	RMDX6018D28	RCDX6018D28
JUDD C15013010902	–	Mono crimp	0.087"	2.13	0.05"	1.27	0.018"	0.05	0.066"	1.67	RMDX6036D28	RCDX6036D28
CDC PIN22939200	–	Mono crimp	0.09"	2.29	0.048"	1.20	0.011"	0.3	0.064"	1.63	RMDX6046D28	RCDX6016D28
CDC PIN22939200	–	Mono crimp	0.09"	2.29	0.048"	1.20	0.011"	0.3	0.064"	1.63	RMDX6050D28	RCDX6016D28
CDC PIN245670000	–	Mono crimp	0.104"	2.64	0.067"	1.7	0.011"	0.3	0.083"	2.11	RMDX6050D28	RCDX6016D28
ampex	–	Mono crimp	0.114"	2.9	0.075"	1.91	0.014"	0.36	0.09"	1.29	RMDX6032D28	RCDX6032D28
TI PN 920580	–	Mono crimp	0.7"	1.78	0.038"	0.94	0.018"	0.05	0.054"	1.37	RMDX6024D28	RCDX6024D28
Honeywell PN 58000062	–	Mono crimp	0.12"	3.05	0.077"	1.94	0.016" solid	0.41 solid	0.096"	2.42	RMDX6026D28	RCDX6026D28
–	–	Mono crimp	0.104"	2.64	0.067"	1.7	0.011"	0.3	–	2.11	RMDX6050D28	–
–	–	Mono crimp	0.09"	2.29	0.048"	1.20	0.011"	0.3	–	1.63	RMDX6050D28	–
–	–	Mono crimp	0.114"	2.9	0.075"	1.91	0.014"	0.36	–	1.29	RMDX6032D28	RCDX6032D28
–	–	Mono crimp	0.07"	1.78	0.038"	0.94	0.018"	0.05	–	1.37	RMDX6024D28	RCDX6024D28
–	–	Mono crimp	0.12"	3.05	0.077"	1.94	0.016"	0.41	–	2.42	RMDX6026D28	RCDX6026D28

Twisted cable - contact monocrimp and multipiece

Cable type	Contact type	Inner AWG cond	Ø over jacket (single wire)		Inner cond size		Ø outer braid		Male contact kit for coaxial cable	Female contact kit for coaxial cable	
			inch	mm	Stranded definition	Ext. Ø inch	mm	inch			mm
2#24 stranded MIL-W-16878 type B	Multi piece	24	0.049" max	1.24 max	7/.008	–	–	–	–	RMDXK10D28	RCDXK1D28
2 #24 solid MIL-W-74 type LW	Multi piece	24	0.047" max	1.12 max	1/.0201	–	–	–	–	RMDXK10D28	RCDXK1D28
2 #26 stranded MIL-W-74 type LW or MIL-W-16878 type B&E	Multi piece	26	0.043" max	1.09 max	7/.0063	0.006"	0.16	–	–	RMDXK10D28	RCDXK1D28
2 #26 solid MIL-W-81822/3	Multi piece	26	0.028" max	0.71 max	–	–	–	–	–	RMDXK10D28	RCDXK1D28
Twisted pair 1/201 solid MIL-W-74 type LW or MIL-W-16878	Multi piece	26	0.044" max	1.12 max	1/.0201	0.020"	0.511	–	–	RMDXK10D28	RCDXK1D28
Twisted pair solid MIL-W-81822/3	Multi piece	26	0.028" max	0.71 max	1/.0126	0.012"	0.32	–	–	RMDXK10D28	RCDXK1D28
#26 7/.0036 per Hitachi spec ec-711 (13-2820)	Mono crimp	–	0.046"	1.17	7/.0036	–	–	–	–	RMDX6031D28 + YORX090	RCDX6031D28 + YORX090
20218201	Mono crimp	–	0.028"	0.71	–	–	–	–	–	RMDX6031D28 + YORX090	RCDX6031D28 + YORX090
#30 solid	Mono crimp	–	0.025"	0.64	–	–	–	–	–	RMDX6015D28 + YORX090	RCDX6015D28 + YORX090
#26 7/.0063	Mono crimp	26	0.028"	0.71	7/.063	0.006"	0.16	–	–	RMDX6031D28 + YORX090	RCDX6031D28 + YORX090
#26 19/.004	Mono crimp	26	0.049"	1.24	19/.004	–	–	–	–	RMDX6019D28 + YORX090	RCDX6019D28 + YORX090
#24 7/.008	Mono crimp	24	0.049"	1.24	7/.008	–	–	–	–	RMDX6019D28 + YORX090	RCDX6019D28 + YORX090
#24 19/.005	Mono crimp	24	0.057"	1.45	19/.005	–	–	–	–	RMDX6019D28 + YORX090	RCDX6019D28 + YORX090
–	Mono crimp	26	–	1.25	–	–	–	0.748"x 0.004"	19x0.1	RMDX6019D28 + YORX090	RCDX6019D28 + YORX090
–	Mono crimp	24	–	1.25	–	–	–	0.275"x 0.007"	7x0.2	RMDX6019D28 + YORX090	RCDX6019D28 + YORX090
–	Mono crimp	24	–	1.45	–	–	–	0.748"x 0.005"	19x0.13	RMDX6019D28 + YORX090	RCDX6019D28 + YORX090
–	Mono crimp	26	–	0.7	–	–	–	0.275"x 0.006"	7x0.16	RMDX6031D28 + YORX090	RCDX6031D28 + YORX090

PCB contacts supplied separately - UTSX standard series

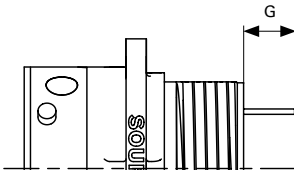
PCB soldering



The UTSX series can be used in a wave soldering process but not reflow soldering process. All high temperature processes are prohibited.

Contact size	Type	Part number		Plating see Page 126
		Male	Female	
#20 Ø 0.039" (1)	Short version	RMW50A7K	RCW50A7K	K
	Long version	RMW5016K	RCW5016K	K
#16 Ø 0.062" (1.6)	Short version	RM20M12E8K	RC20M12E8K	K
	Long version	RM20M12E83K	RC20M12E83K	K
	Long version	RM20M12E83K	RC20M12E84K	K
#8 Ø 0.141" (3.6)	–	82911685NPC	82911684NPC	2 µm Ni
	–	82911685NAPC	82911684NAPC	3 µm Ag

Minimal length G



Dimension of dip solder contacts out of connector (contacts to be ordered separately).

UTSX0 with PCB contacts #16

Connector size	Pin contact				Socket contact									
	RM20M 12E8K*		RM20M 12E84K*		RM20M 12E84K*		RC20M 12E8K*		RC20M 12E83K*		RC20M 12E84K*		RC20M 12E87K*	
	inch	mm	inch	mm	inch	mm	inch	mm	inch	mm	inch	mm	inch	mm
10	0.165"	4.2	0.370"	9.4	0.507"	12.9	0.165"	4.2	0.370"	9.4	0.507"	12.9	0.255"	6.5
12	0.141"	3.6	0.346"	8.8	0.484"	12.3	0.165"	4.2	0.370"	9.4	0.507"	12.9	0.255"	6.5
14	0.129"	3.3	0.334"	8.5	0.472"	12.0	0.102"	2.6	0.307"	7.8	0.444"	11.3	0.192"	4.9
16	0.161"	4.1	0.362"	9.2	0.488"	12.4	0.126"	3.2	0.331"	8.4	0.469"	11.9	0.217"	5.5
18	0.161"	4.1	0.362"	9.2	0.488"	12.4	0.126"	3.2	0.331"	8.4	0.469"	11.9	0.217"	5.5

UTSX7 with PCB contacts #20 and #16

Connector size	Pin contact				Socket contact									
	RM20M 12E83K*		RM20M 12E84K*		RMW 50A7K*		RMW 5016K*		RC20M 12E84K*		RCW 50A7K*		RCW 5016K*	
	inch	mm	inch	mm	inch	mm	inch	mm	inch	mm	inch	mm	inch	mm
10	0.287"	7.3	0.425"	10.8	0.330"	8.4	0.366"	9.3	0.141"	3.6	0.330"	8.4	0.366"	9.3
12	0.287"	7.3	0.425"	10.8	0.330"	8.4	0.366"	9.3	0.153"	3.9	0.330"	8.4	0.366"	9.3
14	0.287"	7.3	0.425"	10.8	0.330"	8.4	0.366"	9.3	0.141"	3.6	–	–	–	–
16	0.362"	9.2	0.488"	12.4	0.358"	9.1	0.394"	10.0	0.181"	4.6	–	–	–	–
18	0.362"	9.2	0.488"	12.4	0.358"	9.1	0.394"	10.0	0.181"	4.6	–	–	–	–

* Plating indication see Page 198

UTSX7 with PCB contacts #16 and #8

Connector size	Pin contact				Socket contact			
	RM20M12E83K*		82911685NPC*		RC20M12E87K*		82911684NPC*	
	inch	mm	inch	mm	inch	mm	inch	mm
UTSX7142G1P	–	–	0.251"	6.4	–	–	–	–
UTSX7142G1S	–	–	–	–	–	–	0.322"	8.2

* Plating indication see Page 198

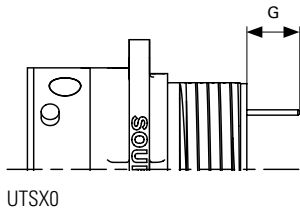
PCB contacts loaded - UTSX sealed unmated series

PCB soldering

The UTSX series can be used in a wave soldering process, but not reflow soldering process. All high temperature processes are prohibited.

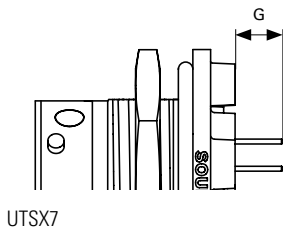
Minimal length G

Dimension of dipsolder contacts out of connector (contacts to be ordered separately).



UTSX0

Connector size	Connector part number	Pin contact G min		G max		Socket contact G min		G max	
		inch	mm	inch	mm	inch	mm	inch	mm
10	10D6 - 10D98 - 10D7	0.318"	8.1	0.401"	10.2	0.318"	8.1	0.405"	10.3
12	12D2 - 12D3 - 12D8 - 12D10	0.318"	8.1	0.401"	10.2	0.318"	8.1	0.405"	10.3
	12D4	0.322"	8.2	0.393"	10	0.318"	8.1	0.405"	10.3
	12D14	0.283"	7.2	0.354"	9	0.279"	7.1	0.362"	9.2
14	14D5 - 14D12 - 14D15 14D18 - 14D19	0.318"	8.1	0.401"	10.2	0.318"	8.1	0.405"	10.3
	14D7	0.322"	8.2	0.393"	10	0.318"	8.1	0.405"	10.3
16	16D8 - 16D23 - 16D26	0.189"	4.8	0.275"	7.0	0.189"	4.8	0.275"	7.0
18	18D11 - 18D30 - 18D32	0.189"	4.8	0.275"	7.0	0.189"	4.8	0.275"	7.0



UTSX7

Connector size	Connector part number	Pin contact G min		G max		Socket contact G min		G max	
		inch	mm	inch	mm	inch	mm	inch	mm
10	10D6 - 10D98 - 10D7	0.185"	4.7	0.287"	7.3	0.185"	4.7	0.275"	7
12	12D2 - 12D3 - 12D8 - 12D10	0.185"	4.7	0.287"	7.3	0.188"	4.8	0.275"	7
	12D4	0.192"	4.9	0.279"	7.1	0.188"	4.8	0.275"	7
	12D14	0.153"	3.9	0.244"	6.2	0.149"	3.8	0.236"	6
14	14D5 - 14D12 - 14D15 14D18 - 14D19	0.188"	4.8	0.287"	7.3	0.192"	4.9	0.275"	7
	14D7	0.192"	4.9	0.279"	7.1	0.192"	4.9	0.275"	7
16	16D8 - 16D23 - 16D26	0.189"	4.8	0.275"	7.0	0.189"	4.8	0.275"	7.0
18	18D11 - 18D30 - 18D32	0.189"	4.8	0.275"	7.0	0.189"	4.8	0.275"	7.0

Size 16 fiber optic contacts for UTSX and other TRIM TRIO® connectors

POF



Description

Size 16 fiber optic contacts are designed for the integration of optical links in UTSX and other TRIM TRIO® cable connectors.

The fiber optic contacts are designed to accommodate:

- Plastic optical fiber (POF) 0.039" (1) core and 0.086" (2.2) jacket

Typical features and benefits are:

- Socket contact is spring loaded to avoid any air gap between the two optical faces.
- High precision pieces provide low insertion loss.
- We can provide custom harness solutions for specific customer requirements including single jumpers, multiways harness and active device housings.

Technical specifications

Performance

- Fiber type: POF
- Wave length: 650 nm
- Optical insertion loss (typ.): 2 dB max.
- Jacketed external diameter: 0.086" (2.2)
- Temperature range: -25°C to +70°C
- Cable retention: 49N
- Mating cycles without cleaning: 48
- Max. mating cycles: 500

Construction

- Contact body: copper alloy

Connector accommodation

Any TRIM TRIO® size 16 contact can be used in any contact position in any connector in the TRIM TRIO® size 16 interconnection system: UTP, UTGX, UTS, UTSX, UTO and UTL.

Souriau UTSX series

Fiber optic contacts

Ordering information

Plastic optical fiber contact

Male contact	Female contact
RMP0F1000	–

Plastic optical fiber tools

Standard tooling kit - P/N 80MS0004

The standard tooling kit is made of the part numbers below that can be ordered separately as well.

Part number	Descriptions
80WD0005	Stripping tool
80WD0025	Automatic stripping tool for Ø 0.196" (0.5), 0.023" (0.6), 0.027" (0.7) and 0.149" (3.8)
80WM0006	Ruler
80WP0005	Polishing plate
80WP0013	Non slip base (to hold the polishing plate)
80WP0014	Polishing disk (grain size 9µm)
80WP0018	Polishing tool
80WP0019	Polishing disk (grain size 30µm)
80WS0002	Crimping plier

Specific tooling list - Can only be ordered separately

Part number	Descriptions
80WG0010	Needle
80WG0015	Capsule
80WG0016	Syringe
80WN0005	Dry air spray
80WN0006	Optical paper
80WN0012	Dropper bottle
80WN0008	Wiping solvent

Crimping tools for standard contacts

Contact size	Part number	Head*	Handles*	Extraction tools
#20 Ø 0.039" (1)	RM/RC 24W3K	S20RCM	SHANDLES	RX20D44
	RM/RC 20W3K	S20RCM	SHANDLES	RX20D44
	RM/RC 18W3K	S20RCM	SHANDLES	RX20D44
	SM 24WL3S*(1)	S20SCM20	SHANDLES	RX20D44
	SC 24WL3S*(1)	S20SCM20	SHANDLES	RX20D44
#16 Ø 0.062" (1.6)	SM/SC 20WL3S*(1)	S20SCM20	SHANDLES	RX20D44
	RM/RC 28M1*	S16RCM20	SHANDLES	RX2025GE1 or RX2031J long endurance tool
	RM/RC 24M9*	S16RCM20	SHANDLES	RX2025GE1 or RX2031J long endurance tool
	RM/RC 20M13*	S16RCM20	SHANDLES	RX2025GE1 or RX2031J long endurance tool
	RM/RC 20M12*	S16RCM20	SHANDLES	RX2025GE1 or RX2031J long endurance tool
	RM/RC 16M23*	S16RCM16	SHANDLES	RX2025GE1 or RX2031J long endurance tool
	RM/RC 14M30*	S16RCM14	SHANDLES	RX2025GE1 or RX2031J long endurance tool
	SM/SC 24ML1*(1)	S16SCM20	SHANDLES	RX2025GE1 or RX2031J long endurance tool
	SM/SC 20ML1*(1)	S16SCM20	SHANDLES	RX2025GE1 or RX2031J long endurance tool
	SM/SC 16ML1*(1)	S16SCML1	SHANDLES	RX2025GE1 or RX2031J long endurance tool
	SM/SC 14ML1*(1)	S16SCML1	SHANDLES	RX2025GE1 or RX2031J long endurance tool
SM/SC 16ML11*(1)	S16SCML11	SHANDLES	RX2025GE1 or RX2031J long endurance tool	

(1) loose contact

*endurance of SHANDLES and Head tools = 48,000 cycles

Contact size	Part number	Tool with separate locator		Extraction tools
		Hand tool	Positioner + locator setting	
#12 Ø 0.094" (2.4)	82911457N* / 82911456*	M317	VGE10077A 1/2	51060210924
	82911459N* / 82911458*	M317	VGE10077A 2	51060210924
	82911461N* / 82911460*	M317	VGE10077A 2	51060210924
	82911463N* / 82911462*	M317	VGE10077A 3	51060210924
	82911465N* / 82911464*	M317	VGE10077A 3	51060210924
	82911467N* / 82911466*	M317	VGE10077A 4	51060210924
#8 Ø 0.141" (3.6)	82913601A / 82913600A	M317	VGE10078A 3	51060210936
	82913603A / 82913602A	M317	VGE10078A 3	51060210936
	82913605A / 82913604A	M317	VGE10078A 4	51060210936
	82913607A / 82913606A	M317	VGE10078A 5	51060210936
	82913609A / 82913608A	M317	VGE10078A 6/7	51060210936

* see Page 198 for plating options and other contact details

Crimping tools for specific contacts (First mate, last break contacts)

Contact size	Part number*	Hand tools (SHANDLES) Head	Tool with separate locator		Extraction tools
			Hand tool	Positioner + locator setting	
#16 Ø 0.094" (1.6) Longer RM contact	RM28M1GE1K	S16RCM20	MH860	MH86186 4/6	RX2025GE1 or RX2031J long endurance tool
	RM24M9GE1K	S16RCM20	MH860	MH86186 5/6	RX2025GE1 or RX2031J long endurance tool
	RM16M23GE1K RM20M12GE1K	S16RCM16	MH860	MH86186 6/8	RX2025GE1 or RX2031J long endurance tool
	RM14M30GE1K	S16RCM14	M317	UH25 3	RX2025GE1 or RX2031J long endurance tool
#16 Ø 0.094" (1.6) Shorter RC contact	RC28M1GE7K	S16RCM20	MH860	MH86164G 4/6	RX2025GE1 or RX2031J long endurance tool
	RC24M9GE7K	S16RCM20	MH860	MH86164G 5/6	RX2025GE1 or RX2031J long endurance tool
	RC20M13GE7K RC20M12GE7K	S16RCM20	MH860	MH86164G 5/7	RX2025GE1 or RX2031J long endurance tool
	RC16M23GE7K	S16RCM16	MH860	MH86164G 6/8	RX2025GE1 or RX2031J long endurance tool
	RC14M30GE7K	S16RCM14	M317	UH25 3	RX2025GE1 or RX2031J long endurance tool

* see Page 201 for plating options and other contact details

Coaxial contacts

Please consult us.

M20S-1J crimp tool

Contact part number					M20S-1J				
Contact size	Pin	Socket	Cable type	Notes	Die	Stop bushing	Die kit (die + stop bushing)	PG check-gauge for die	
#16 (Ø 1.6mm)	RM28M1*	RC28M1*	AWG 30-28	N/A	S-9K 1	SL-40K	N/A	PG-246-1K	
	RM24M9*	RC24M9*	AWG 24	N/A	S-9K 1	SL-40K	N/A	PG-246-1K	
	RM24M9*	RCS24M9*	AWG 24	N/A	S-10K	SL-40K	N/A	PG-246K	
	RM20M14*	RC20M14*	AWG 22-20	N/A	S-10JK	SL-40K	N/A	PG-246K	
	RM20M14*	RCS20M14*	AWG 22-20	N/A	S-10JK	SL-40K	N/A	PG-246K	
	RM20M13*	RC20M13*	AWG 22-20	N/A	S-10K	SL-40K	N/A	PG-246K	
	RM20M13*	RCS20M13*	AWG 22-20	N/A	S-10K	SL-40K	N/A	PG-246K	
	RM20M12*	RC20M12*	AWG 22-20	N/A	S-10K	SL-40K	N/A	PG-246K	
	RM20M12*	RCS20M12*	AWG 22-20	N/A	S-10K	SL-40K	N/A	PG-246K	
	RM16M23*	RC16M23*	AWG 20-16	N/A	S-3D1K	SL-39K	N/A	PG-214K	
	RM16M23*	RCS16M23*	AWG 20-16	N/A	S-3D1K	SL-40K	N/A	PG-214K	
	RM14M50*	RC14M50*	AWG 16-14	N/A	S-3-14K	SL-40K	N/A	PG-246-2K	
	RM14M50*	RCS14M50*	AWG 16-14	N/A	S-3-14K	SL-40K	N/A	PG-246-2K	
	RM14M30*	RC14M30*	AWG 14	N/A	N/A				
	RMDXK-1JG, (S)YOC-074J RFD26L-1D28	RCDXK-1JG ((S)RM- D26L-1JD28, (S)YOC-074J, RCDX60-2D28)	RG161/U, RG179B/U, RG187A/U	INNER CONTACT (RFD26L-1D28/((S)RM- D26L-1JD28,)	S-23D2	SL-46D2K	N/A	PG-266	
	RMDX60-2D28) RMDXK-1JG, (S)YOC-074J RFD26L-1D28	RCDXK-1JG ((S)RM- D26L-1JD28, (S)YOC-074J, RCDX60-2D28)	RG161/U, RG179B/U, RG187A/U	OUTER CONTACT (RM- DX602D28/RCDX602D28)	S-68J	SL-92K	N/A	PG-297	
	RMDX60-2D28) RMDXK-1JG, (S)YOC-074J RFD26L-1D28	RCDXK-1JG ((S)RM- D26L-1JD28, (S)YOC-074J, RCDX60-2D28)	RG174/U, RG188A/U	INNER CONTACT (RFD26L-1D28/((S)RM- D26L-1JD28,)	S-26D2	SL-46D2K	N/A	N/A	
	RMDX60-2D28) RMDXK-1JG, (S)YOC-074J RFD26L-1D28	RCDXK-1JG ((S)RM- D26L-1JD28, (S)YOC-074J, RCDX60-2D28)	RG174/U, RG188A/U	OUTER CONTACT (RM- DX602D28/RCDX602D28)	S-68J	SL-92K	N/A	PG-297	
	RMDXK-10 ((S)YOC- 074J, RFD26L-1D28, RMDX60-2D28, RMDXB055-3)	RCDXK-1((S)RM- D26L-1JD28, (S) YOC-074J, RCDX60-2D28, RCDXB055-1)	RG178B/U, RG196A/U	INNER CONTACT (RFD26L-1D28/((S)RM- D26L-1JD28,)	S-23D2	SL-46D2K	N/A	PG-266	
		RCDXK-1((S)RM- D26L-1JD28, (S) YOC-074J, RCDX60-2D28, RCDXB055-1)	RG178B/U, RG196A/U	OUTER CONTACT (RM- DX602D28/RCDX602D28)	S-68J	SL-92K	N/A	PG-297	
	RMDXK-J20	RCDXK-J2	#26 twist pair 2-7/0.16, #24 twist pair 2-7/0.2, 2-1/0.5	INNER CONTACT	S-26D2	SL-46D2K	N/A	N/A	
	RMDXK-J20	RCDXK-J2	#26 twist pair 2-7/0.16, #24 twist pair 2-7/0.2, 2-1/0.5	OUTER CONTACT	S-68J	SL-92K	N/A	PG-297	
	RMDX6032D28	RCDX6032D28	see Page 166	MONOCRIMP	S-80J	SL-105K	N/A	N/A	
	RMDX6036D28	RMDX6036D28	see Page 166	MONOCRIMP	S-80J	SL-105K	N/A	N/A	
	RMDXK10D28	RCDXK1D28	RG161U, RG179, RG187U, RG178A/U, RG196U	INNER CONTACT	S-23D2	SL-46D2K	N/A	N/A	
	RMDXK10D28	RCDXK1D28	RG161U, RG179, RG187U, RG178A/U, RG196U	OUTER CONTACT	S-22-1J	SL-47-1J	N/A	N/A	
	RMDXK10D28	RCDXK1D28	RG188/U, RG174/U	INNER CONTACT	S-26D2	SL-46D2K	N/A	N/A	
	RMDXK10D28	RCDXK1D28	RG188/U, RG174/U	OUTER CONTACT	S-22-1J	SL-47-1J	N/A	N/A	
	#12 (Ø2.4mm)	82911459N*	82911458*	AWG 20	N/A	N/A		S8291-2AKIT	PG-8291-2K
		82911461N*	82911460*	AWG 18	N/A	N/A		S8291-2AKIT	PG-8291-2K
82911463N*		82911462*	AWG 16	N/A	N/A		S8291-3AKIT	PG-8291-3K	
82911465N*		82911464*	AWG 14	N/A	N/A		S8291-3AKIT	PG-8291-3K	
82911467N*		82911466*	AWG 12	N/A	N/A		S8291-4AKIT	PG-8291-4K	
82911467N*		82911466*	AWG 12	N/A	N/A		S8291-4AKIT	PG-8291-4K	
#8 (Ø3.6mm)	82913601A	82913600A	AWG 16	N/A	N/A		S8291-3BKIT	PG-8291-3K	
	82913603A	82913602A	AWG 14	N/A	N/A		S8291-3BKIT	PG-8291-3K	
	82913605A	82913604A	AWG 12	N/A	N/A		S8291-4BKIT	PG-8291-4K	
	82913607A	82913606A	AWG 10	N/A	N/A		S8291-5BKIT	PG-8291-5K	

1. When crimping RC/RCS/RM24-9* if the insulator diameter is smaller than 1.4mm, use S-9 or S-9K

Automatic crimping tools

Contact Mecal for semi-automatic production tools.

Mecal sales network:
www.mecal.net



Min Applicator



Stripper



Presses

Extraction tool



RX20D44



51060210924



RX2031J



RX2025GE1



51060210936

Contact size	Part number
#20	RX20D44
#16	RX2025GE1
#16 Long endurance tool	RX2031J
#12	51060210924
#8	51060210936

Contact extraction instruction



Place the tool into the cavity from front face of the connector, push on the handle, then remove the contact.

Souriau UTSX series

Crimping instructions

Wire stripping crimp version

Machined contact



Contact size	Part number		Stripping length L	
	Male	Female	inch	mm
#20 Ø 0.039" (1)	RM24W3- / RM20W3- RM18W3-	RC24W3- / RC20W3- RC18W3-	0.188"	4.8
#16 Ø 0.062" (1.6)	RM28M1- / RM24M9- RM20M13- / RM20M12-	RC28M1- / RC24M9- RC20M13- / RC20M12-	0.188"	4.8
	RM16M23- / RM14M30-	RC16M23- / RC14M30-	0.279"	7.1
#8 Ø 0.141" (3.6)	82913601- / 82913603- 82913605- / 82913607-82913609-	82913600- / 82913602-82913604- / 82913606- 82913608-	0.255" to 0.295"	6.5 to 7.5

Stamped and formed with insulation support



Contact size	Part number		Stripping length L	
	Male	Female	inch	mm
#20 Ø 0.039" (1)	SM24W3- / SM24WL3- SM20W3- / SM20WL3-	SC24W3- / SC24WL3- SC20W3- / SC20WL3-	0.157"	4
#16 Ø 0.062" (1.6)	SM24M1- / SM24ML1- SM20M1- / SM20ML1-	SC24M1- / SC24ML1- SC20M1- / SC20ML1-	0.157"	4
	SM16M11- / SM16ML11-	SC16M11- / SC16ML11-	0.183"	4.65

Stamped and formed without insulation support



Contact size	Part number		Stripping length L	
	Male	Female	inch	mm
#16 Ø 0.062" (1.6)	SM16M1- / SM16ML1-	SC16M1- / SC16ML1-	0.250"	6.35
	SM14M1- / SM14ML1-	SC14M1- / SC14ML1-	0.250"	6.35

Power contacts



Contact size	Part number		Stripping length L	
	Male	Female	inch	mm
#12 Ø 0.094" (2.4)	82911457- / 82911459-82911461- / 82911463-82911465- / 82911467-	82911456- / 82911458-82911460- / 82911462-82911464- / 82911466-	0.275" to 0.314"	7 to 8
#8 Ø 0.141" (3.6)	82913601- / 82913603-82913605- / 82913607-82913609-	82913600- / 82913602-82913604- / 82913606-82913608-	0.255" to 0.295"	6.5 to 7.5

Note: See Page 198 for plating options and other contact details

Wire stripping solder and screw versions

Solder contact delivered with connector



Contact size	Stripping length L	
	inch	mm
#16 / Ø 0.062" (1.6) and #20 / Ø 0.039" (1)	0.196"	5

Screw contact delivered with connector



Contact size	Stripping length L	
	inch	mm
#16 / Ø 0.062" (1.6)	0.228"	5.8

Dimensions in inches (millimeters)

Crimping

One of the key factors which affects the performance of a connector is the way contacts are terminated. Crimped connections are nowadays seen as the best solution to ensure quality throughout the lifetime of the product.



Active contact part	Contact type	Die location on heads	Wire section range	Section		Tensile straight test (min)	Height W ±0.002" (±0.075)		Width W ±0.002" (±0.075)		Tooling head part number
				inch ²	mm ²		inch	mm	inch	mm	
Machined contacts size #20 Ø 0.039" (1)	RM24W3K RC24W3K	26/24	26 AWG	0.004" min	0.12 min	15 N	0.037"	0.95	0.05"	1.27	S20RCM
	RM20W3K RC20W3K	26/24	24 AWG	0.009" max	0.25 max	32 N	0.037"	0.95	0.05"	1.27	S20RCM
		22/20	22 AWG	0.012" min	0.32 min	40 N	0.049"	1.26	0.070"	1.78	S20RCM
	20 AWG		0.019" max	0.50 max	60 N	0.049"	1.26	0.070"	1.78	S20RCM	
RM18W3K RC18W3K	20/18	20 AWG	0.019" max	0.50 max	60 N	0.053"	1.35	0.073"	1.86	S20RCM	
	18 AWG		0.032" max	0.82 max	90 N	0.053"	1.35	0.073"	1.86	S20RCM	
S and F contacts size #20 Ø 0.039" (1)	SM24WL3TK6* SC24WL3TK6*	26/24	26 AWG	0.004" min	0.12 min	15 N	0.031"	0.80	0.058"	1.49	S20SCM20
	SM20WL3TK6* SC20WL3TK6*	26/24	24 AWG	0.009" max	0.25 max	32 N	0.031"	0.80	0.058"	1.49	S20SCM20
		22/20	22 AWG	0.012" min	0.32 min	40 N	0.039"	1.01	0.060"	1.53	S20SCM20
	20 AWG		0.019" max	0.50 max	60 N	0.039"	1.01	0.060"	1.53	S20SCM20	
Machined contacts size #16 Ø 0.062" (1.6)	RM28M1K* RC28M1K*	30/28	30 AWG	0.002" min	0.05 min	11 N	0.044"	1.14	0.055"	1.41	S16RCM20
	RM24M9K* RC24M9K*	30/28	28 AWG	0.003" max	0.08 max	6 N	0.044"	1.14	0.055"	1.41	S16RCM20
		26/24	26 AWG	0.004" min	0.12 min	15 N	0.045"	1.15	0.055"	1.41	S16RCM20
	26/24	24 AWG	0.009" max	0.25 max	32 N	0.045"	1.15	0.055"	1.41	S16RCM20	
	RM20M13K* RC20M13K*	22/20	22 AWG	0.012" min	0.32 min	40 N	0.049"	1.26	0.069"	1.76	S16RCM20
		20 AWG		0.019" max	0.50 max	60 N	0.049"	1.26	0.069"	1.76	S16RCM20
	RM20M12K* RC20M12K*	22/20	22 AWG	0.012" min	0.32 min	40 N	0.049"	1.26	0.069"	1.76	S16RCM20
		20 AWG		0.019" max	0.50 max	60 N	0.049"	1.26	0.069"	1.76	S16RCM20
	RM16M23K* RC16M23K*	18	18 AWG	0.032" max	0.82 max	90 N	0.070"	1.80	0.089"	2.28	S16RCM16
		16	16 AWG	0.059" max	1.50 max	150 N	0.077"	1.96	0.095"	2.43	S16RCM16
S and F contacts size #16 Ø 0.062" (1.6)	SM24ML1TK6* SC24ML1TK6*	26/24	26 AWG	0.004" min	0.12 min	15 N	0.033"	0.84	0.059"	1.50	S16SCM20
	SM20ML1TK6* SC20ML1TK6*	26/24	24 AWG	0.009" max	0.25 max	32 N	0.033"	0.84	0.059"	1.50	S16SCM20
		22/20	22 AWG	0.012" min	0.32 min	40 N	0.040"	1.02	0.060"	1.54	S16SCM20
	20 AWG		0.019" max	0.50 max	60 N	0.040"	1.02	0.060"	1.54	S16SCM20	
	SM16ML11TK6* SC16ML11TK6*	18	18 AWG	0.032" min	0.82 min	90 N	0.051"	1.32	0.082"	2.09	S16SCML11
		16	16 AWG	0.059" max	1.50 max	150 N	0.053"	1.36	0.082"	2.10	S16SCML11
	SM16ML1TK6* SC16ML1TK6*	18	18 AWG	0.032" min	0.82 min	90 N	0.058"	1.149	0.079"	2.02	S16SCML1
		16	16 AWG	0.059" max	1.50 max	150 N	0.066"	1.70	0.080"	2.05	S16SCML1
SM14ML1TK6* SC14ML1TK6*	14	14 AWG	0.098" max	2.50 max	230 N	0.070"	1.79	0.101"	2.58	S16SCML1	

* example of plating, for other plating see Page 126

Note: Assembly operations mentioned above shall not interfere with or be in contradiction with the IPC-WHMA-A-620B

Dimensions in inches (millimeters)

Souriau UTSX series

Handle and interchangeable heads for crimp contacts

Crimping tooling



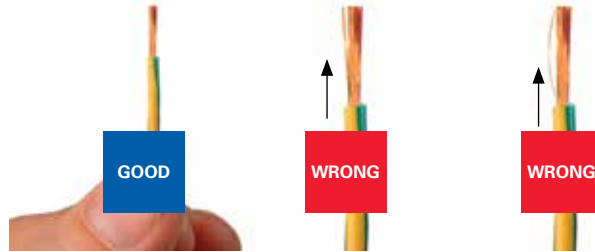
1) Fully close then release the tool, keep it open.
Open the two pins.



2) Choose the adapter head (sold separately). Keep vertical and slide it into the handle until the mechanical stop.



3) Close the two pins simultaneously to maintain the head.



4) Strip the cable properly by checking the recommended size in the catalog on Page 211.



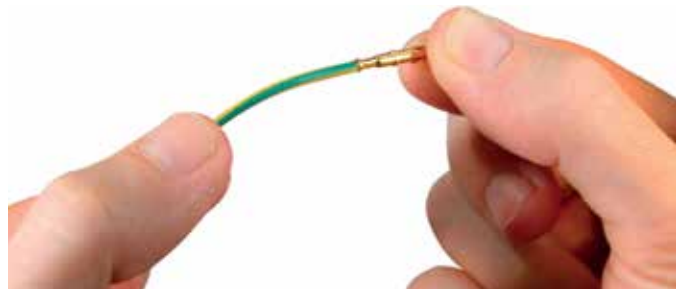
5) Place conductors, with no deterioration, in the contact bucket. All strands to be located in the crimp bucket.



6) Position the contact in the bottom of the tool by checking its orientation. Maintain the wire in position.



7) Tighten the handles to the end of the mechanism (max 175 N). After handles are opened, extract the contact.

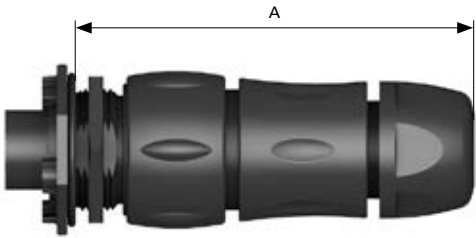


8) Control the quality of crimping (see Page 212).

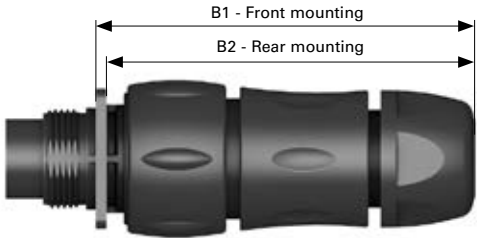
Note: Assembly operations mentioned above shall not interfere or to be in contradiction with the IPC-WHMA-A-620B

Mated connector lengths

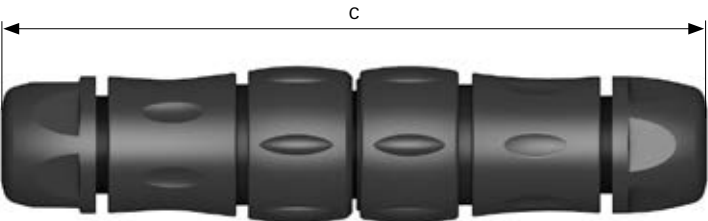
UTSX7 + UTSX6JC



UTSX0 + UTSX6JC



UTSX1JC + UTSX6JC



Shell size	UTSX7 + UTSX-6JC A max		UTSX0 + UTSX-6JC B1 max		B2 max		UTSX1JC + UTSX6JC C max	
	inch	mm	inch	mm	inch	mm	inch	mm
10	2.992"	74	2.836"	72	2.736"	69.5	5.196"	132
12	3.110"	79	2.952"	75	2.874"	73	5.433"	138
14	3.366"	85.5	3.208"	81.5	3.110"	79	5.925"	150.5
16	3.661"	93	3.464"	88	3.386"	86	6.457"	164
18	3.858"	98	3.701"	94	3.622"	92	6.850"	174

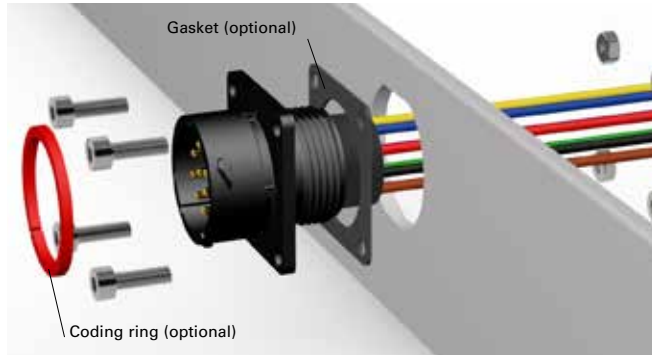
Souriau UTSX series

Assembly instructions

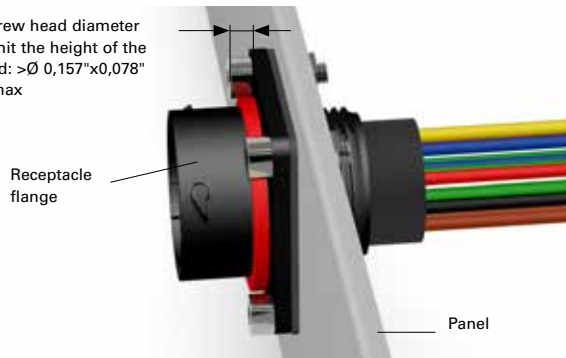
UTSX0 or UTSX0JC assembly (mounting suggestion)

- Strip wires, crimp or solder contacts (see **Pages 212 and 213**)
- Insert contacts into connector cavities (insert manually or use tool RTM205 crimp contacts)
- Place receptacle in the panel cut-out
- Secure receptacle with screws (not supplied)
- Tighten screws: M2.5 (recommended torque: see table below)
- Warning: to prevent any mating issue with the plug counterpart, take into account the following dimensions of screw heads and panel thickness
- For complete sealing of the system use optional gasket and sealed screw solution (not sold by Eaton).

Front mounting



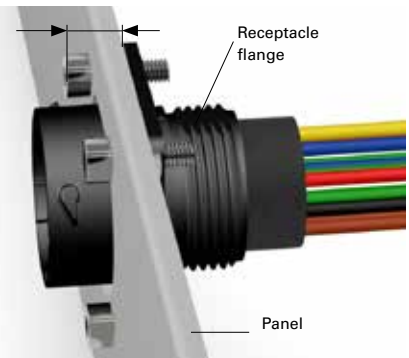
A large screw head diameter may limit the height of the screw head: $> \varnothing 0,157" \times 0,078"$ (4.5x2.5) max



Rear mounting

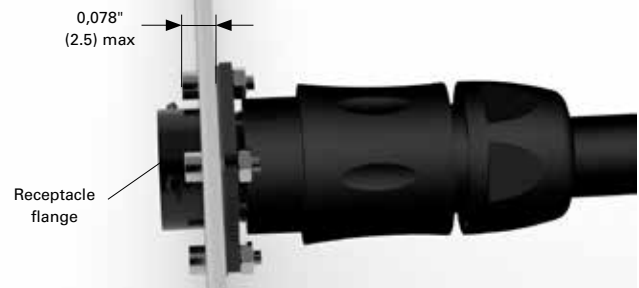
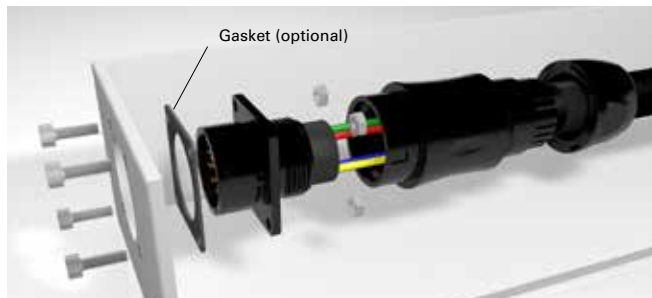


A large screw head diameter may limit the height of the screw head: $> \varnothing 0,157" \times 0,078"$ (4.5x2.5) max



Shell size	Screw tightening torque (Nm)
10	0.30/0.40
12	0.30/0.40
14	0.30/0.40
16	0.30 / 0.40
18	0.35 / 0.45

UTSX0JC rear mounting

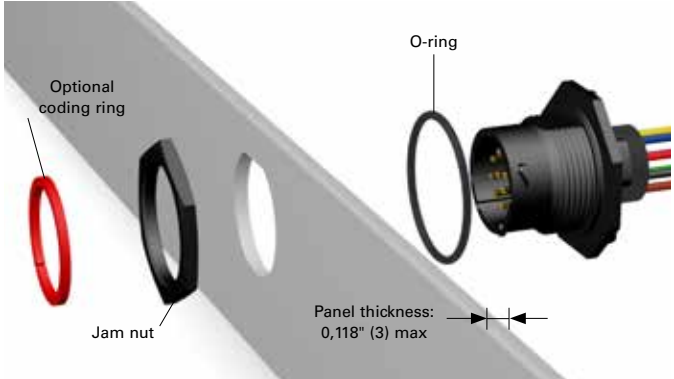


Dimensions in inches (millimeters)

UTSX7 assembly (mounting suggestion)

- Strip wires and crimp contacts (see **Pages 212 and 213**)
- Insert contacts into connector cavities (insert manually or use tool RTM205 crimp contacts)
- Seat o-ring, place receptacle in the panel cut-out
- Tighten jam nut

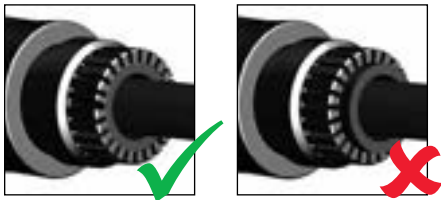
Crimp or solder version



Shell size	Jam nut torque (Nm) max	Exterior jam nut dim.		Ø Wire Standard version max		Discrete wire sealing	
		inch	mm	inch	mm	inch	mm
10	3	0.874"	20.2	1.125"	3.2		
12	4	1.062"	27.0	1.125"	3.2	From 0.066"	From 1.7
14	5	1.185"	30.1	1.125"	3.2	to 0.118"	to 3.0
16	5	1.311"	33.3	1.125"	3.2		
18	5	1.438"	36.5	1.125"	3.2		

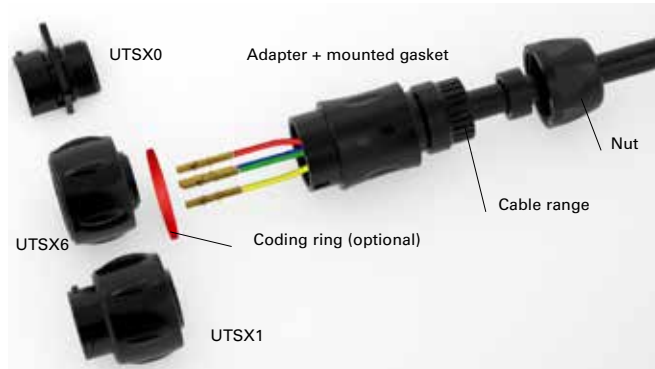
UTSX0JC, UTSX1JC or UTSX6JC assembly: crimp version

- Slide accessories onto the cable

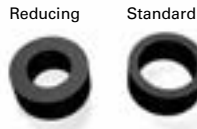


Make sure the seal is positioned as shown.

- Mate the plug with a corresponding counter part
- Strip external cable jacket
- Strip wires and crimp contacts (see **Pages 140 and 141**)
- Insert contacts into connector cavities (insert manually or use tool RTM205)
- Tighten adapter with plug UTSX6 or receptacle UTSX1, choose right seal (waste the other seal)
- Tighten the nut to rear of either UTSX1 or UTSX6 (recommended torque values to be applied according to table below)
- Caution: only one of the two gaskets included should be used!



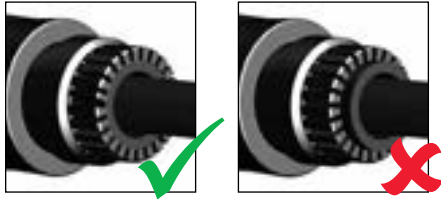
Cable ranges



Shell size	Recommended jacket strip length				Adapter tightening torque (Nm)	Nut tightening torque (Nm)	Ø Cable range Standard seal inch	Ø Cable range Reducing seal mm	Ø Cable range Standard seal inch	Ø Cable range Reducing seal mm	Ø Wire inch	mm
	Male inch	mm	Female inch	mm								
10	0.826"	21	1.141"	29	1.5	1	0.098"/0.314"	2.5/8.0	0.059"/0.196"	1.5/5.0		
12	0.984"	25	1.299"	33	2.5	2	0.196"/0.472"	5.0/12.0	0.118"/0.354"	3.0/9.0	From 0.066"	From 1.7
14	1.141"	29	1.417"	36	3	2.5	0.275"/0.551"	7.0/14.0	0.196"/0.472"	5.0/12.0	to 0.118"	to 3.0
16	1.259"	32	1.574"	40	2	3.5	0.472"/0.630"	12.0/16.0	0.354"/0.472"	9.0/12.0		
18	1.259"	32	1.574"	40	2.5	3.5	0.512"/0.709"	13.0/18.0	0.433"/0.590"	11.0/15.0		

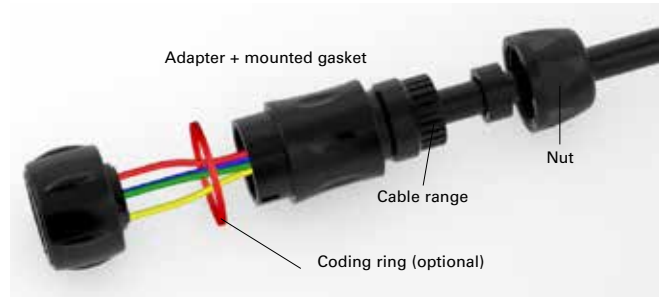
UTSX6JC assembly: solder version

- Slide accessories onto the cable

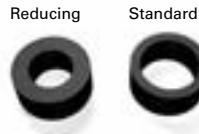


Make sure the seal is positioned as shown.

- Mate the plug with a corresponding receptacle
- Strip external cable jacket (see **Pages 212 and 213**)
- Solder contacts
- Tighten adapter with plug, choose right seal (waste the other seal)
- Tighten the nut to rear of either UTSX6 (recommended torque values to be applied according table to the right)
- Caution: only one of the two gaskets included should be used!



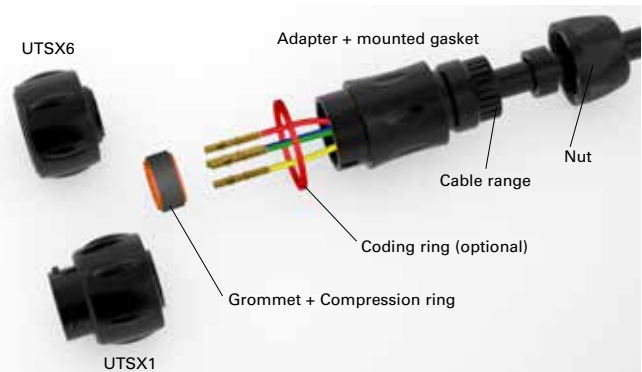
Cable ranges



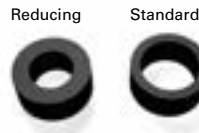
Shell size	Recommended jacket strip length Male		Adapter tightening torque (Nm)	Nut tightening torque (Nm)	Ø Cable range Standard seal		Ø Cable range Reducing seal		Ø Wire	
	inch	mm			inch	mm	inch	mm	inch	mm
10	0.826"	21	1.5	1	0.098"/0.314"	2.5/8.0	0.059"/0.196"	1.5/5.0		
12	0.984"	25	2.5	2	0.196"/0.472"	5.0/12.0	0.118"/0.354"	3.0/9.0	From 0.066"	From 1.7
14	1.141"	29	3	2.5	0.275"/0.551"	7.0/14.0	0.196"/0.472"	5.0/12.0	to 0.118"	to 3.0
16	1.653"	42	2	3.5	0.472"/0.630"	12.0/16.0	0.354"/0.472"	9.0/12.0		
18	1.653"	42	2.5	3.5	0.512"/0.709"	13.0/18.0	0.433"/0.590"	11.0/15.0		

UTSX1GJC or UTSX6GJC assembly

- Slide accessories onto the cable (make sure to keep compression ring on the grommet)
- Strip external cable jacket
- Strip wires and crimp contacts (see **Pages 212 and 213**)
- Insert first contact into the grommet (first contact in cavity A, no tool is required). Then insert the contact in the connector cavity A (insert manually or use tool RTM205)
- Place the grommet and compression ring on the insulator
- Insert the other contacts
- Tighten adapter with plug UTSX6 or receptacle UTSX1, choose correct seal
- Tighten the nut to rear of either UTSX1 or UTSX6 (recommended torque values to be applied according to the table right).



Cable ranges



Shell size	Recommended jacket strip length				Adapter tightening torque (Nm)	Nut tightening torque (Nm)	Ø Cable range Standard seal		Ø Cable range Reducing seal		Ø Wire	
	Male inch	Male mm	Female inch	Female mm			inch	mm	inch	mm	inch	mm
10	0.826"	21	1.141"	29	1.5	1	0.098"/0.314"	2.5/8.0	0.059"/0.196"	1.5/5.0	From 0.066"	From 1.7
12	0.984"	25	1.299"	33	2.5	2	0.196"/0.472"	5.0/12.0	0.118"/0.354"	3.0/9.0	to 0.118"	to 3.0
14	1.141"	29	1.417"	36	3	2.5	0.275"/0.551"	7.0/14.0	0.196"/0.472"	5.0/12.0		
16	Not available. Please consult us.											
18	Not available. Please consult us.											

UTSX coupling procedure

The pictures below provides step by step instructions on how to mate a plug and receptacle connector in order to avoid damaging any of the contacts.



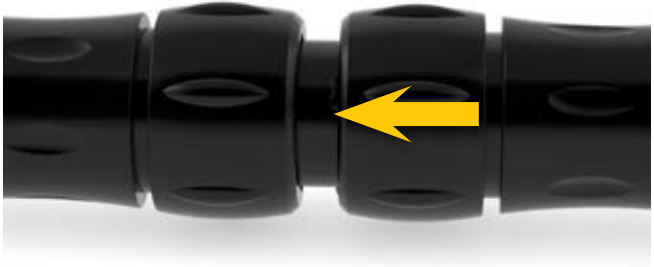
1 - Identify the primary key of each connector.



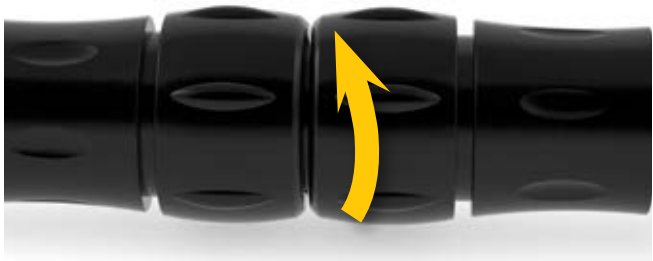
2 - Align the primary keys of the connectors.



3 - Non correct positioning:



4 - Offer the plug to the receptacle.



5 - Turn coupling ring until you hear a 'click'



6 - Example of installation

Fastening of cable: In order to avoid any mechanical stress on the connection, cable should be clamp closed to the connector in such a way there is no bending or traction applying on the connector.

Souriau UTSX series

Rated current and working voltage

Current carrying capacity

The current carrying capacity of a connector is limited by the thermal properties of materials used in its construction. The amount of current that can be handled depends on the size of cable used, the ambient temperature and the heat that is generated inside the connector. Part 3 of the IEC 60512 standard determines through a derating curve, the maximum current permissible, which varies from one layout to another (Fig.1 and Fig.2). Wire size plays an important role in dissipating heat and avoiding overheating (Fig.1 and Fig.3).

Please note that the curve should be adjusted when dealing with potential hot spots, which can occur as a result of unequal loading of current across a number of contacts. As a general rule, it is best to avoid placing power handling contacts in the middle of the connector. Try to locate them towards the edge where heat can be dissipated more effectively. Eventually you should find a level which represents the permissible operating range.

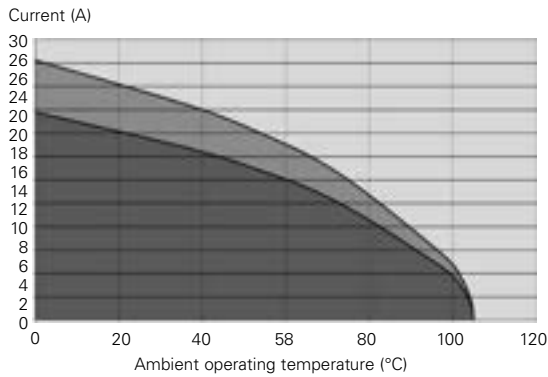


Fig.1: UTSX 12-4 – 16 AWG

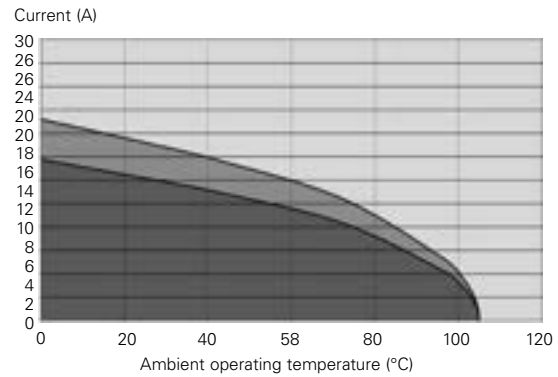


Fig.2: UTSX 12-8 – 16 AWG

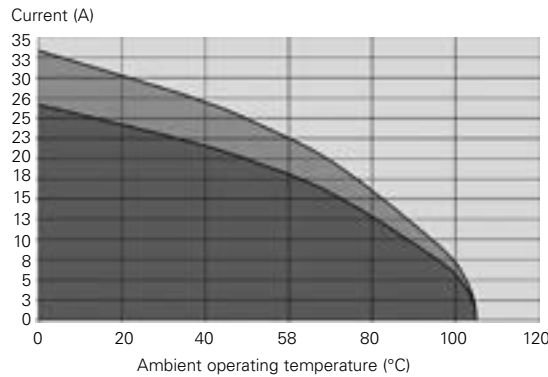


Fig.3: UTSX 12-4 – 20 AWG

- Current use
- Limited use
- Not recommended use

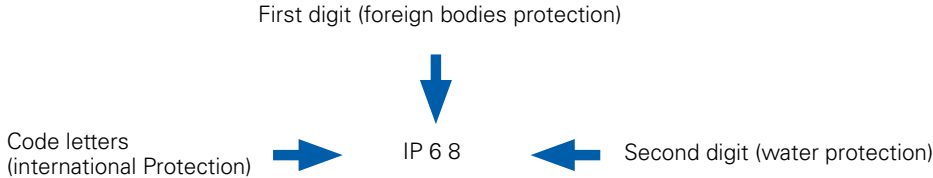
The rated current is defined as uninterrupted continuous current that a connector can take when all contacts are energized simultaneously without exceeding the maximum limit of temperature. The earth contact is never loaded.

UV resistance

Plastics can be susceptible to extreme degradation over time. The UTSX series is made with (f1) material according to UL746C. The UTSX material withstand a 1,000 h UV exposure according ISO4892 without significant color variation, cracking or variation of mechanical properties.

Protection provided by an enclosure

For safety reasons, electrical equipment needs to be protected against outside influences. The basis for the determination is the standard IEC 60529. IP is a coding system that provides information regarding the accessibility of live parts against ingress of water or other foreign bodies.



1st digit	Degree of protection	2nd digit	Degree of protection
0	No protection against accidental contact. No protection against solid foreign bodies.	0	No protection against water.
1	Protection against contact with any large area by hand and against large solid foreign bodies with a diameter bigger than 1.889" (48).	1	Drip-proof. Protection against vertical water drips.
2	Protection against contact with the fingers. Protection against solid foreign bodies with a diameter bigger than 0.472" (12).	2	Drip-proof. Protection against water drips up to a 15° angle.
3	Protection against tools, wires or similar objects with a diameter bigger than 0.078" (2.5). Protection against small solid bodies with a diameter bigger than 0.078" (2.5).	3	Spray-proof. Protection against diagonal water drips up to a 60° angle.
4	Same as 3 however diameter is bigger than 0.039" (1).	4	Splash-proof. Protection against splashed water from all directions.
5	Full protection against contact. Protection against interior injurious dust deposits.	5	Hose-proof. Protection against water (out of a nozzle) from all directions.
6	Total protection against contact. Protection against penetration of dust.	6	Protection against powerful water jets .
		7	Protection against temporary immersions.
		8	Protection against water pressure. Pressure and immersion time to be specified by supplier.
		9K	High pressure hose-proof. Protection against high pressure water (out of a nozzle) from all directions.

UTSX offers high sealing: IP68/69K even in dynamic situations.

In addition to the IEC 60529 we conjointly use the ISO 20653 for the implementation of IPx9K testing:

Dimensions in inches (millimeters)

Ethernet basics

To understand Ethernet theory, a functional comparison to a busy city with highways, buildings and cars is often used. The table below provides the correlation between the different components/pieces/links that encompass Ethernet network connectivity, and the larger scale infrastructure of a metropolitan city.

City	Buildings	Roads	Cars	Tolls	Bridges	Traffic laws
The network itself	End equipment, PC, server, etc.	Ethernet cabling	Data packets, datagrams, bits, bytes, etc.	Firewalls	Connectors	Protocol Communication specifications

Ethernet is a widely used communications protocol that is used to transmit data packets (datagrams) between network devices. Imagine a highway in a large metropolitan area six lanes wide at rush hour. The vehicles on the highway need rules to follow so that they get to their destination without crashing into each other. In an Ethernet network link, there could be 100 million bits of information transmitted in one second. In the Ethernet standard, there exist rules to govern packet structure, transmission requirements, error correction, communication with end equipment, etc.

Ethernet connectors

To understand the differences between 100Mhz, 100 Base TX and Cat5e/Cat6, the comparison to the city is helpful.

- 100Mhz is a measurement of frequency for the signal, comparable to the speed limit on a highway.
- 100BaseTX (or Fast Ethernet) is an Ethernet link standard and identifies available link bandwidth. The bandwidth is measured in units of Mbits/S (megabits per second), comparable to the number of cars that pass a point in one second.
- Cat5e/Cat6 are an EIA/TIA standard for performance and physical characteristics for cables and connectors, comparable to performance specifications of the car and highway.

Specifying Ethernet connectors and contacts

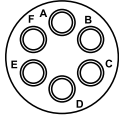
In connectors and cables, Fast Ethernet uses two pairs, one for transmit and one for receive. This way data traffic can flow in both directions simultaneously. To carry 100Mb/s data signals, 100BaseTX or Fast Ethernet, it is recommended to use Cat5e connectors as well as Cat5e cables with the support of a 100MHz signal. However, a 100Mb/s signal can be transmitted in certain conditions: short distance, only one connector, lower frequency, and so does not necessarily need to be Cat5e rated.

Ethernet twisted pairs carry a symmetrical (balanced) signal. With coax contacts, the inner core will be shield, but not the other core. This will result in an unbalanced signal due to electromagnetic interferences. Coax contacts will not work correctly and are not recommended.

Quadrx contacts are used in railway applications because of the use of quad cables. In this specific industry, the standard Ethernet twisted pair cables cannot be used as they are too thin and usually solid, not stranded. In other industries, UTP (Unshielded Twisted Pair) cables are widely used. Quadrx contacts are not designed to terminate UTP cables and are not recommended.

Standard offering

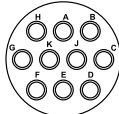
Standard solutions



106* - 10E6/10D6
4.5A 250V 6A 250V
6 contacts #20 Ø
0.039" (1)

UTSX size 10, 6 contacts

- 1 (Pair 1) = A
- 2 (Pair 1) = B
- 3 (Pair 2) = E
- 4 (Pair 2) = D



1210 - 12E10/12D10
4.5A 250V 10 contacts
#20 Ø 0.039" (1)

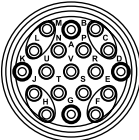
UTSX size 12, 10 contacts

- 1 (Pair 1) = C
- 2 (Pair 1) = B
- 3 (Pair 2) = G
- 4 (Pair 2) = H

Shielding continuity done in cavity CandF.

Note: *Shielding can be replaced by DC power.

UTSX 14-19 used for Ethernet



○ Twisted pairs
● GND

The UTSX layout 14-19 has been evaluated and approved for use as an Ethernet connection in the following configuration:

- Using Cat6A cables, with 9m of cable between each connector
- The cable was terminated as pictured

Based on the test results, the insertion loss, return loss, NEXT and ACR-N pass the Channel Class Ea Ethernet requirements, which defines the maximum data rate as 10 Gbps.

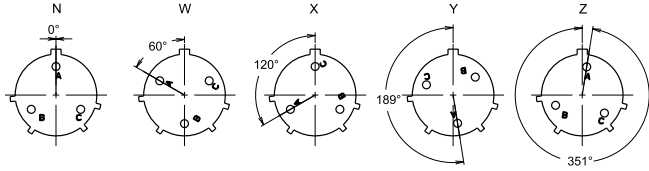
Please note, the results pass the 10 Gbps data rate, but have only been tested with a distance of 9m, and can be validated for up to 20m.

Souriau UTSX series

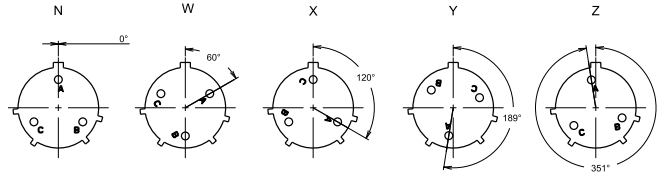
Appendix A: Discrimination/Keying methods

The UTSX series has layouts with discrimination keys, which help avoid mismatching when operators mate the connectors.

This safety feature is particularly important when similar connectors are placed next to each other. Mismatching connectors can lead to serious problems including system failures and even physical injury.



Note: Insert rotated in body (viewed from front face of female insert)



Note: Insert rotated in body (viewed from front face of male insert)

Connectors with rotated inserts can be ordered by adding the suffix W, X, Y or Z to the standard part number.

e.g. **UTSX6JC104S** (N key) → **UTSX6JC104SW** (W key)

Consult us for overmolded harnesses.

Shell size	Layout	Discrimination keys degrees			
		W	X	Y	Z
10	102W2/103	–	–	–	–
	104	45°	–	–	–
	103W3	–	–	–	–
	106 10E6/10D6	90°	–	–	–
	10E7/10D7	90°	–	–	–
	10E98/10D98	90°	180°	240°	270°
12	12E2/12D2	–	–	–	–
	12E3/12D3	–	–	180°	–
	124 12E4/12D4	–	–	–	–
	128	26°	–	–	–
	12E8/12D8	90°	112°	203°	292°
	1210 12E10/12D10	60°	155°	270°	295°
	12E14/12D14	45°	–	–	–
14	14E5/14D5	40°	92°	184°	273°
	142G1	–	–	–	–
	147 14E7/14D7	–	–	–	–
	148	–	–	–	–
	1412	60°	–	–	–
	1492	49°	71°	145°	–
	14E12/14D12	43°	90°	–	–
	14E15/14D15	17°	110°	155°	234°
	14E18/14D18	15°	90°	180°	270°
	1419	30°	165°	315°	–
	14E19/14D19	30°	165°	315°	–

Shell size	Layout	Discrimination keys degrees			
		W	X	Y	Z
16	1619	30°	165°	–	315°
	1626 16E26/16D26	60°	–	275°	338°
	163G1	25°	135°	–	–
	165	25°	135°	–	–
	169	30°	125°30'	–	–
	1613	25°	125°30'	–	–
	16E8/16D8	54°	152°	180°	331°
18	16E23/16D23	158°	270°	–	–
	1823	–	158°	–	270°
	1832 18E32/18D32	85°	138°	222°	265°
	186	30°	135°	–	–
	187G1	25°	140°	–	–
	1813	25°	135°	–	–
	18E11/18D11	62°	119°	241°	340°
	18E30/18D30	180°	193°	285°	350°

SMSPE0: discrimination pin for male UTSX connectors (#16 contacts only)

An alternative method to prevent mismatches is to employ an SMSPE0 dummy contact, which can be placed into an unoccupied #16 male contact cavity. This ensures that the UTSX male connector will only connect with a female counterpart that also has an empty contact slot in the corresponding position.



Connectors**Free hanging receptacle with cable gland**

UTSX1JC102W2P	44	UTSX7106S	69
UTSX1JC102W2S	44	UTSX710D6P	69
UTSX1JC103P	22	UTSX710D6P32	69
UTSX1JC103S	22	UTSX710D6S	69
UTSX1JC103W3P	63	UTSX710D6S32	69
UTSX1JC103W3S	63	UTSX710D7P	88
UTSX1JC104P	49	UTSX710D7P32	88
UTSX1JC104S	49	UTSX710D7S	88
UTSX1JC106P	69	UTSX710D7S32	88
UTSX1JC106S	69	UTSX710D98P	74
UTSX1JC1210P	119	UTSX710D98P32	74
UTSX1JC1210S	119	UTSX710D98S	74
UTSX1JC124P	35	UTSX710D98S32	74
UTSX1JC124PSCR	35	UTSX710E6P	69
UTSX1JC124S	35	UTSX710E6S	69
UTSX1JC124SSCR	35	UTSX710E7P	88
UTSX1JC128P	96	UTSX710E7S	88
UTSX1JC128S	96	UTSX710E98P	74
UTSX1JC1412P	128	UTSX710E98S	74
UTSX1JC1412S	128	UTSX71210P	119
UTSX1JC1419P	164	UTSX71210S	119
UTSX1JC1419S	164	UTSX7124P	35
UTSX1JC142G1P	27	UTSX7124P	35
UTSX1JC142G1S	27	UTSX7124PSCR	35
UTSX1JC147P	83	UTSX7124S	35
UTSX1JC147PSCR	83	UTSX7124S	35
UTSX1JC147S	83	UTSX7124SSCR	35
UTSX1JC147SSCR	83	UTSX7128P	96
UTSX1JC148P	105	UTSX7128S	96
UTSX1JC148S	105	UTSX712D10P	119
UTSX1JC1492P	137	UTSX712D10P32	119
UTSX1JC1492S	137	UTSX712D10S	119
UTSX1JC1613P	142	UTSX712D10S32	119
UTSX1JC1613S	142	UTSX712D14P	152
UTSX1JC1619P	169	UTSX712D14P32	152
UTSX1JC1619S	169	UTSX712D14S	152
UTSX1JC1626P	183	UTSX712D14S32	152
UTSX1JC1626S	183	UTSX712D2P	18
UTSX1JC163G1P	40	UTSX712D2P32	18
UTSX1JC163G1S	40	UTSX712D2S	18
UTSX1JC165P	58	UTSX712D2S32	18
UTSX1JC165S	58	UTSX712D3P	31
UTSX1JC169P	115	UTSX712D3P32	31
UTSX1JC169S	115	UTSX712D3S	31
UTSX1JC1813P	147	UTSX712D3S32	31
UTSX1JC1813S	147	UTSX712D4P	35
UTSX1JC1823P	178	UTSX712D4P32	35
UTSX1JC1823S	178	UTSX712D4S	35
UTSX1JC1832P	192	UTSX712D4S32	35
UTSX1JC1832S	192	UTSX712D8P	101
UTSX1JC186P	78	UTSX712D8P32	101
UTSX1JC186S	78	UTSX712D8S	101
UTSX1JC187G1P	92	UTSX712D8S32	101
UTSX1JC187G1S	92	UTSX712E10P	119
		UTSX712E10S	119
		UTSX712E14P	152
		UTSX712E14S	152
		UTSX712E2P	18
		UTSX712E2S	18
		UTSX712E3P	31
		UTSX712E3S	31
		UTSX712E4P	35
		UTSX712E4S	35
		UTSX712E8P	101
		UTSX712E8S	101
		UTSX71412P	128
		UTSX71412S	128
		UTSX71419P	164

Jam nut receptacle only

UTSX7102W2P	44
UTSX7102W2S	44
UTSX7103P	22
UTSX7103S	22
UTSX7103W3P	63
UTSX7103W3S	63
UTSX7104P	49
UTSX7104S	49
UTSX7106P	69

UTSX71419S	164	UTSX716D26S32	183
UTSX7142G1P	27	UTSX716D8P	111
UTSX7142G1S	27	UTSX716D8P32	111
UTSX7147P	83	UTSX716D8S	111
UTSX7147PSCR	83	UTSX716D8S32	111
UTSX7147S	83	UTSX716E23P	174
UTSX7147SSCR	83	UTSX716E23S	174
UTSX7148P	105	UTSX716E26P	183
UTSX7148S	105	UTSX716E26S	183
UTSX71492P	137	UTSX716E8P	111
UTSX71492S	137	UTSX716E8S	111
UTSX714D12P	133	UTSX71813P	147
UTSX714D12P32	133	UTSX71813S	147
UTSX714D12S	133	UTSX71823P	178
UTSX714D12S32	133	UTSX71823S	178
UTSX714D15P	156	UTSX71832P	192
UTSX714D15P32	156	UTSX71832S	192
UTSX714D15S	156	UTSX7186P	78
UTSX714D15S32	156	UTSX7186S	78
UTSX714D18P	160	UTSX7187G1P	92
UTSX714D18P32	160	UTSX7187G1S	92
UTSX714D18S	160	UTSX718D11P	124
UTSX714D18S32	160	UTSX718D11P32	124
UTSX714D19P	164	UTSX718D11S	124
UTSX714D19P32	164	UTSX718D11S32	124
UTSX714D19S	164	UTSX718D30P	188
UTSX714D19S32	164	UTSX718D30P32	188
UTSX714D5P	54	UTSX718D30S	188
UTSX714D5P32	54	UTSX718D30S32	188
UTSX714D5S	54	UTSX718D32P	192
UTSX714D5S32	54	UTSX718D32P32	192
UTSX714D7P	83	UTSX718D32S	192
UTSX714D7P32	83	UTSX718D32S32	192
UTSX714D7S	83	UTSX718E11P	124
UTSX714D7S32	83	UTSX718E11S	124
UTSX714E12P	133	UTSX718E30P	188
UTSX714E12S	133	UTSX718E30S	188
UTSX714E15P	156	UTSX718E32P	192
UTSX714E15S	156	UTSX718E32S	192
UTSX714E18P	160		
UTSX714E18S	160	Plug only	
UTSX714E19P	164	UTSX6102W2P	44
UTSX714E19S	164	UTSX6102W2S	44
UTSX714E5P	54	UTSX6103P	22
UTSX714E5S	54	UTSX6103S	22
UTSX714E7P	83	UTSX6103W3P	63
UTSX714E7S	83	UTSX6103W3S	63
UTSX71613P	142	UTSX6104P	49
UTSX71613S	142	UTSX6104S	49
UTSX71619P	169	UTSX6106P	69
UTSX71619S	169	UTSX6106S	69
UTSX71626P	183	UTSX610E6P	69
UTSX71626S	183	UTSX610E6S	69
UTSX7163G1P	40	UTSX610E7P	88
UTSX7163G1P	40	UTSX610E7S	88
UTSX7163G1S	40	UTSX610E98P	74
UTSX7163G1S	40	UTSX610E98S	74
UTSX7165P	58	UTSX61210P	119
UTSX7165S	58	UTSX61210S	119
UTSX7169P	115	UTSX6124P	35
UTSX7169S	115	UTSX6124S	35
UTSX716D23P	174	UTSX6128P	96
UTSX716D23P32	174	UTSX6128S	96
UTSX716D23S	174	UTSX612E10P	119
UTSX716D23S32	174	UTSX612E10S	119
UTSX716D26P	183	UTSX612E14P	152
UTSX716D26P32	183	UTSX612E14S	152
UTSX716D26S	183	UTSX612E2P	18

UTSX612E2S	18
UTSX612E3P	31
UTSX612E3S	31
UTSX612E4P	35
UTSX612E4S	35
UTSX612E8P	101
UTSX612E8S	101
UTSX61412P	128
UTSX61412S	128
UTSX61419P	164
UTSX61419S	164
UTSX6142G1P	27
UTSX6142G1S	27
UTSX6147P	83
UTSX6147S	83
UTSX6148P	105
UTSX6148S	105
UTSX61492P	137
UTSX61492S	137
UTSX614E12P	133
UTSX614E12S	133
UTSX614E15P	156
UTSX614E15S	156
UTSX614E18P	160
UTSX614E18S	160
UTSX614E19P	164
UTSX614E19S	164
UTSX614E5P	54
UTSX614E5S	54
UTSX614E7P	83
UTSX614E7S	83
UTSX61613P	142
UTSX61613S	142
UTSX61619P	169
UTSX61619S	169
UTSX61626P	183
UTSX61626S	183
UTSX6163G1P	40
UTSX6163G1S	40
UTSX6165P	58
UTSX6165S	58
UTSX6169P	115
UTSX6169S	115
UTSX616E23P	174
UTSX616E23S	174
UTSX616E26P	183
UTSX616E26S	183
UTSX616E8P	111
UTSX616E8S	111
UTSX61813P	147
UTSX61813S	147
UTSX61823P	178
UTSX61823S	178
UTSX61832P	192
UTSX61832S	192
UTSX6186P	78
UTSX6186S	78
UTSX6187G1P	92
UTSX6187G1S	92
UTSX618E11P	124
UTSX618E11S	124
UTSX618E30P	188
UTSX618E30S	188
UTSX618E32P	192
UTSX618E32S	192

Plug with cable gland

UTSX6JC102W2P	44
UTSX6JC102W2S	44
UTSX6JC103P	22
UTSX6JC103S	22
UTSX6JC103W3P	63
UTSX6JC103W3S	63
UTSX6JC104P	49
UTSX6JC104S	49
UTSX6JC106P	69
UTSX6JC106S	69
UTSX6JC10E6P	69
UTSX6JC10E6S	69
UTSX6JC10E7P	88
UTSX6JC10E7S	88
UTSX6JC10E98P	74
UTSX6JC10E98S	74
UTSX6JC1210P	119
UTSX6JC1210S	119
UTSX6JC124P	35
UTSX6JC124PSCR	35
UTSX6JC124S	35
UTSX6JC124SSCR	35
UTSX6JC128P	96
UTSX6JC128S	96
UTSX6JC12E10P	119
UTSX6JC12E10S	119
UTSX6JC12E14P	152
UTSX6JC12E14S	152
UTSX6JC12E2P	18
UTSX6JC12E2S	18
UTSX6JC12E3P	31
UTSX6JC12E3S	31
UTSX6JC12E4P	35
UTSX6JC12E4S	35
UTSX6JC12E8P	101
UTSX6JC12E8S	101
UTSX6JC1412P	128
UTSX6JC1412S	128
UTSX6JC1419P	164
UTSX6JC1419S	164
UTSX6JC142G1P	27
UTSX6JC142G1S	27
UTSX6JC147P	83
UTSX6JC147PSCR	83
UTSX6JC147S	83
UTSX6JC147SSCR	83
UTSX6JC148P	105
UTSX6JC148S	105
UTSX6JC1492P	137
UTSX6JC1492S	137
UTSX6JC14E12P	133
UTSX6JC14E12S	133
UTSX6JC14E15P	156
UTSX6JC14E15S	156
UTSX6JC14E18P	160
UTSX6JC14E18S	160
UTSX6JC14E19P	164
UTSX6JC14E19S	164
UTSX6JC14E5P	54
UTSX6JC14E5S	54
UTSX6JC14E7P	83
UTSX6JC14E7S	83
UTSX6JC1613P	142
UTSX6JC1613S	142
UTSX6JC1619P	169
UTSX6JC1619S	169
UTSX6JC1626P	183

UTSX6JC1626S	183
UTSX6JC163G1P	40
UTSX6JC163G1S	40
UTSX6JC165P	58
UTSX6JC165S	58
UTSX6JC169P	115
UTSX6JC169S	115
UTSX6JC16E23P	174
UTSX6JC16E23S	174
UTSX6JC16E26P	183
UTSX6JC16E26S	183
UTSX6JC16E8P	111
UTSX6JC16E8S	111
UTSX6JC1813P	147
UTSX6JC1813S	147
UTSX6JC1823P	178
UTSX6JC1823S	178
UTSX6JC1832P	192
UTSX6JC1832S	192
UTSX6JC186P	78
UTSX6JC186S	78
UTSX6JC187G1P	92
UTSX6JC187G1S	92
UTSX6JC18E11P	124
UTSX6JC18E11S	124
UTSX6JC18E30P	188
UTSX6JC18E30S	188
UTSX6JC18E32P	192
UTSX6JC18E32S	192

Square flange receptacle only

UTSX0102W2P	44
UTSX0102W2S	44
UTSX0103P	22
UTSX0103S	22
UTSX0103W3P	63
UTSX0103W3S	63
UTSX0104P	49
UTSX0104S	49
UTSX0106P	69
UTSX0106S	69
UTSX010D6P	69
UTSX010D6S	69
UTSX010D7P	88
UTSX010D7S	88
UTSX010D98P	74
UTSX010D98S	74
UTSX010E6P	69
UTSX010E6S	69
UTSX010E7P	88
UTSX010E7S	88
UTSX010E98P	74
UTSX010E98S	74
UTSX01210P	119
UTSX01210S	119
UTSX0124P	35
UTSX0124P	35
UTSX0124S	35
UTSX0124S	35
UTSX0128P	96
UTSX0128S	96
UTSX012D10P	119
UTSX012D10S	119
UTSX012D14P	152
UTSX012D14S	152
UTSX012D2P	18
UTSX012D2S	18
UTSX012D3P	31

UTSX012D3S	31
UTSX012D4P	35
UTSX012D4S	35
UTSX012D8P	101
UTSX012D8S	101
UTSX012E10P	119
UTSX012E10S	119
UTSX012E14P	152
UTSX012E14S	152
UTSX012E2P	18
UTSX012E2S	18
UTSX012E3P	31
UTSX012E3S	31
UTSX012E4P	35
UTSX012E4S	35
UTSX012E8P	101
UTSX012E8S	101
UTSX01412P	128
UTSX01412S	128
UTSX01419P	164
UTSX01419S	164
UTSX0142G1P	27
UTSX0142G1S	27
UTSX0147P	83
UTSX0147S	83
UTSX0148P	105
UTSX0148S	105
UTSX01492P	137
UTSX01492S	137
UTSX014D12P	133
UTSX014D12S	133
UTSX014D15P	156
UTSX014D15S	156
UTSX014D18P	160
UTSX014D18S	160
UTSX014D19P	164
UTSX014D19S	164
UTSX014D5P	54
UTSX014D5S	54
UTSX014D7P	83
UTSX014D7S	83
UTSX014E12P	133
UTSX014E12S	133
UTSX014E15P	156
UTSX014E15S	156
UTSX014E18P	160
UTSX014E18S	160
UTSX014E19P	164
UTSX014E19S	164
UTSX014E5P	54
UTSX014E5S	54
UTSX014E7P	83
UTSX014E7S	83
UTSX01613P	142
UTSX01613S	142
UTSX01619P	169
UTSX01619S	169
UTSX01626P	183
UTSX01626S	183
UTSX0163G1P	40
UTSX0163G1S	40
UTSX0165P	58
UTSX0165S	58
UTSX0169P	115
UTSX0169S	115
UTSX016D23P	174
UTSX016D23S	174
UTSX016D26P	183

UTSX016D26S	183
UTSX016D8P	111
UTSX016D8S	111
UTSX016E23P	174
UTSX016E23S	174
UTSX016E26P	183
UTSX016E26S	183
UTSX016E8P	111
UTSX016E8S	111
UTSX01813P	147
UTSX01813S	147
UTSX01823P	178
UTSX01823S	178
UTSX01832P	192
UTSX01832S	192
UTSX0186P	78
UTSX0186S	78
UTSX0187G1P	92
UTSX0187G1S	92
UTSX018D11P	124
UTSX018D11S	124
UTSX018D30P	188
UTSX018D30S	188
UTSX018D32P	192
UTSX018D32S	192
UTSX018E11P	124
UTSX018E11S	124
UTSX018E30P	188
UTSX018E30S	188
UTSX018E32P	192
UTSX018E32S	192

Square flange receptacle with cable gland

UTSX0JC102W2P	44
UTSX0JC102W2S	44
UTSX0JC103P	22
UTSX0JC103P	63
UTSX0JC103S	22
UTSX0JC103S	63
UTSX0JC104P	49
UTSX0JC104S	49
UTSX0JC106P	69
UTSX0JC106S	69
UTSX0JC1210P	119
UTSX0JC1210S	119
UTSX0JC124P	35
UTSX0JC124S	35
UTSX0JC128P	96
UTSX0JC128S	96
UTSX0JC1412P	128
UTSX0JC1412S	128
UTSX0JC1419P	164
UTSX0JC1419S	164
UTSX0JC142G1P	27
UTSX0JC142G1S	27
UTSX0JC147P	83
UTSX0JC147S	83
UTSX0JC148P	105
UTSX0JC148S	105
UTSX0JC1492P	137
UTSX0JC1492S	137
UTSX0JC1613P	142
UTSX0JC1613S	142
UTSX0JC1619P	169
UTSX0JC1619S	169
UTSX0JC1626P	183
UTSX0JC1626S	183
UTSX0JC163G1P	40
UTSX0JC163G1S	40

UTSX0JC165P	58
UTSX0JC165S	58
UTSX0JC169P	115
UTSX0JC169S	115
UTSX0JC1813P	147
UTSX0JC1813S	147
UTSX0JC1823P	178
UTSX0JC1823S	178
UTSX0JC1832P	192
UTSX0JC1832S	192
UTSX0JC186P	78
UTSX0JC186S	78
UTSX0JC187G1P	92
UTSX0JC187G1S	92

Accessories

Color coding rings

UTS610CCRR	24
UTS610CCRY	24
UTS612CCRG	20
UTS612CCRR	20
UTS612CCRY	20
UTS614CCRG	29
UTS614CCRR	29
UTS614CCRY	29
UTS710CCRG	24
UTS710CCRR	24
UTS710CCRY	24
UTS712CCRG	20
UTS712CCRR	20
UTS712CCRY	20
UTS714CCRG	29
UTS714CCRR	29
UTS714CCRY	29

Discrimination pin

SMSPKE0	224
---------	-----

Gasket

UTFD12B	46
UTFD13B	20
UTFD14B	29

Plastic protective cap

85005586A	24
85005587A	20
85005588A	29
85005595	24
85005596	20
85005597	29

Sealing caps

UTS10DCG	24
UTS10DCGR	24
UTS12DCG	20
UTS12DCGE	20
UTS12DCGR	20
UTS14DCG	29
UTS14DCGE	29
UTS14DCGR	29
UTS10DCG	24
UTX612DCG	20
UTX614DCG	29

Contacts

Crimp contacts

82911456A	48
82911456	48
82911457NA	48
82911458A	48
82911459NA	48
82911460A	48
82911461NA	48
82911462A	48
82911462K	48
82911463NA	48
82911464A	48
82911465NA	48
82911466A	48
82911467NA	48
82913600A	30
82913601A	30
82913602A	30
82913603A	30
82913604A	30
82913605A	30
82913606A	30
82913607A	30
82913608A	30
82913609A	30
RC14M30GE1K	201
RC16M23GE1K	201
RC20M12GE7K	201
RC20M13GE7K	201
RC24M9GE7K	201
RC28M1GE7K	201
RM14M30GE1K	201
RM16M23GE1K	201
RM20M12GE1K	201
RM24M9GE1K	201
RM28M1GE1K	201
RM24W3K	48
RM18W3K	48
RC24W3K	48
RC18W3K	48
RC20W3K	48
RM20W3K	48
SC20W3TK6	48
SC24W3S25	48
SC24W3TK6	48
SM24W3TK6	48
SM14M1TK6	26
SM16M11TK6	26
SM16M1TK6	26
SM20M1TK6	26
RC14M30K	26
RC16M23K	26
RC20M12K	26
RC20M13K	26
RC24M9K	26
RC28M1K	26
RM14M30K	26
RM16M23K	26
RM20M12K	26
RM20M13K	26
RM24M9K	26
RM28M1K	26
SC14M1TK6	26
SC16M11TK6	26
SC16M1TK6	26
SC20M1TK6	26

SC24M1TK6	26
SC16ML11TK6	213
SC16ML1TK6	213
SC14ML1TK6	213
SC20ML1TK6	213
SC20WL3TK6	213
SC24ML1TK6	213
SC24WL3TK6	213
SM14ML1TK6	213
SM16ML11TK6	213
SM16ML1TK6	213
SM24WL3TK6	213

Coaxial contacts

RCDX60xxD28	26
RCDXK1D28	26
RCDX6016D28	203
RCDX6018D28	203
RCDX6024D28	203
RCDX6026D28	203
RCDX6032D28	203
RCDX6034D28	203
RCDX6036D28	203
RCDX6052D28	203
RMDX6018D28	203
RMDX6024D28	203
RMDX6026D28	203
RMDX6032D28	203

Fiber optic contacts

RCPOF1000B	26
RMPOF1000	26

PCB contacts

82911684NAPC	205
82911685NAPC	205
RC20M12E83K	205
RC20M12E8K	205
82911684NPC	30
82911685NPC	30
RC20M12E84K	26
RCW5016K	123

Tooling

MH860	209
51060210936	30
M317	30
RX2025GE1	25
RX2031J	25
S16RCM14	25
S16RCM16	25
S16SCM20	25
S16SCML1	25
S16SCML11	25
51060210924	47
RX20D44	47
S20RCM	47
S20SCM20	47

For more information, contact us:
Eaton.com/interconnect-support



For more information contact us:
eaton.com/interconnect-support

© 2025 Eaton
All Rights Reserved
Document No. TF7001B
October 2025

Eaton is a registered trademark.

All other trademarks are property
of their respective owners.