



Brand of NTN Group

Technical data

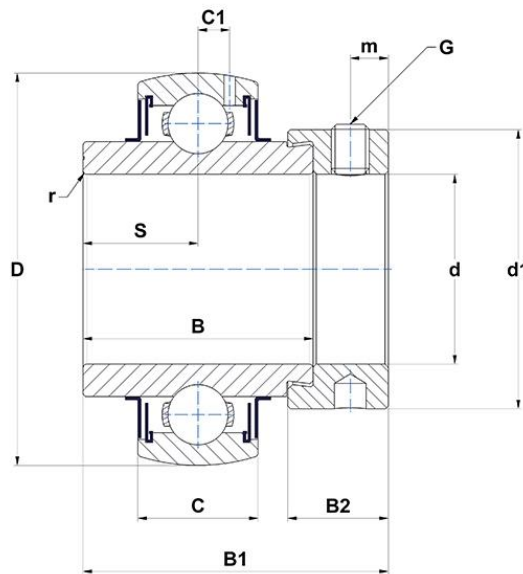
EX210G2T20

Insert bearings



Spherical outer diameter, fixing by eccentric locking collar, labyrinth seal, for high-temp. applications

VISUAL (S)



PRODUCT DEFINITION

Brand	SNR
B - Width of Inner Ring	49,2 mm
B1 - Overall width Inner Ring	62,7 mm
B2 - Width of eccentric locking collar/nut	18,3 mm
C - Width of Outer Ring	23 mm
C1 - Distance center of OR to center of lubrication zone	6,5 mm
d - Shaft diameter	50 mm
d1 - Outer dia of eccent. Lock. collar / nut of adapter sleeve	67,2 mm



NTN Europe

1 rue des Usines · BP 2017 · 74010 Annecy Cedex · France · Tel. +33 (0)4 50 65 30 00
 S.A. au capital de 322 639 919 € · RCS ANNECY B 325 821 072 · Id. Fiscale : FR 48 325 821 072
 SIRET 325 821 072 00015 · Code APE 2815 Z · Code NACE 28.15

PRODUCT DEFINITION

D - Outer diameter of OR	90 mm
G - Set screw size	M8x1
m - Distance to set screw	6,5 mm
r - Radius Inner Ring	1.1
S - Distance front side/bearing centre	24,6 mm
f0 - Factor	14.4
SW - Wrench size	4 mm

PRODUCT PERFORMANCE

C - Dynamic load rating	35100000 mN
C0 - Static load rating	23200000 mN
Operating temperature min.	253,15 °K
Operating temperature max.	473,15 °K

OTHER FEATURES

Mass	1,01 kg
Recommended tightening torque for set screw	11.5 N-m

BEARING FREQUENCIES

BPFO - Over rolling frequency on outer ring (60 rpm)	4.09285714285714 Hz
BPFI - Over rolling frequency on inner (60 rpm)	5.90714285714286 Hz
BSF - Over rolling frequency on rolling element (60 rpm)	5.33038245219348 Hz
BRF - Rotational frequency - rolling element (60 rpm)	2.66519122609674 Hz
FTF - Rotational frequency - cage (60 rpm)	0.409285714285714 Hz

