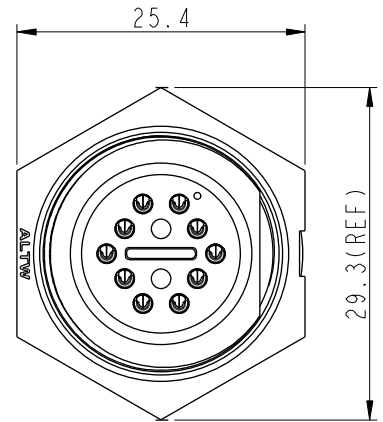
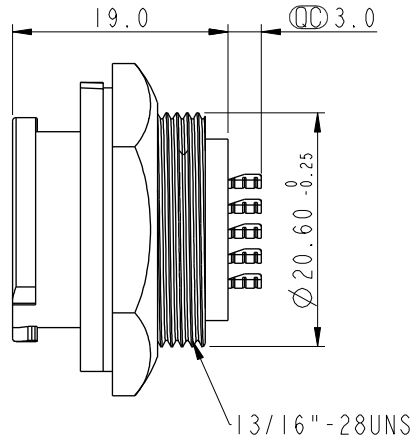
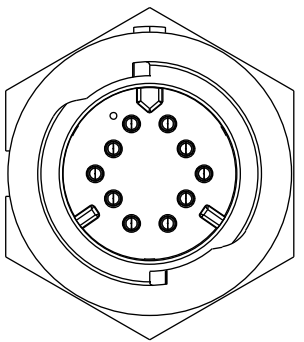
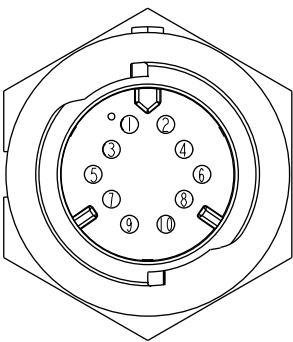


REV.	ECN NO.	DATE	SIGN	DESCRIPTION

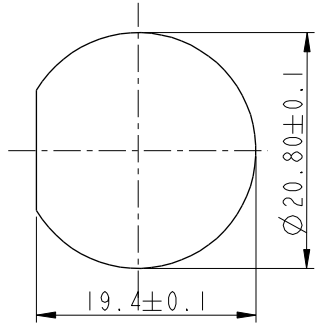
ALTW
CONFIDENTIAL
2014-12-11
R&D DEPT.



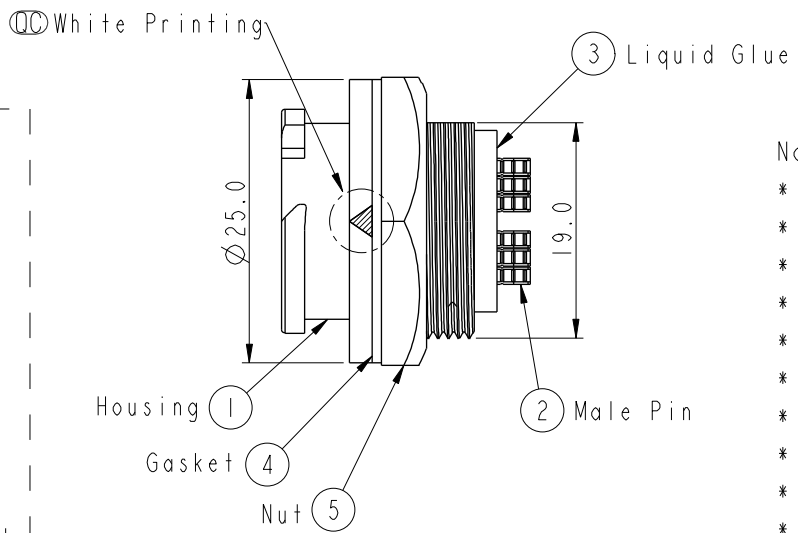
ALTW
DCC. DEPT.
CONFIDENTIAL
2015.03.23
ISSUED



Pin Assignments
Front View



Recommended Panel Cut-Out



- Note:
- * (QC) Important Dimension To Check.
 - * Waterproof Rate: IP68
 - * Working Voltage Rating: AC 300V
 - * Working Current: 5A
 - * Housing: Nylon+GF, Black
 - * Male Pin: Copper Alloy, Gold Plated
 - * Liquid Glue: Black
 - * Nut: Nylon+GF, Black
 - * Gasket: Silicone Gray
 - * Panel Thickness Max: 4.2mm

UNIT: mm		TITLE X-Lok C Size Receptacle Rear 10Pin M Conn. M Pin			ITEM NO CD-10RMMS-OC8001	DRAWN BY Micky	DATE 2014-12-11
		TOLERANCE .X ±0.25 .XX ±0.1 .XXX ±0.05 ANGLES ±1°	SCALE 3:2	SIZE A4	SHEET 1 OF 1	DWG NO CD-10RMMS-OC8001	CHECKED BY Spring
		REV. A	WC-REV. A.1	(QC): Inspection item	CUSTOMER ALTW	APPROVED BY Kevin	DATE 2014-12-11

Amphenol LTW
安費諾亮泰企業股份有限公司

THIS DOCUMENT IS SUBJECT TO CHANGE WITHOUT NOTICE. IT IS CONFIDENTIAL AND A PROPERTY OF AMPHENOL LTW. DISCLOSURE TO THIRD PARTY HAS TO BE AUTHORIZED BY AMPHENOL LTW.