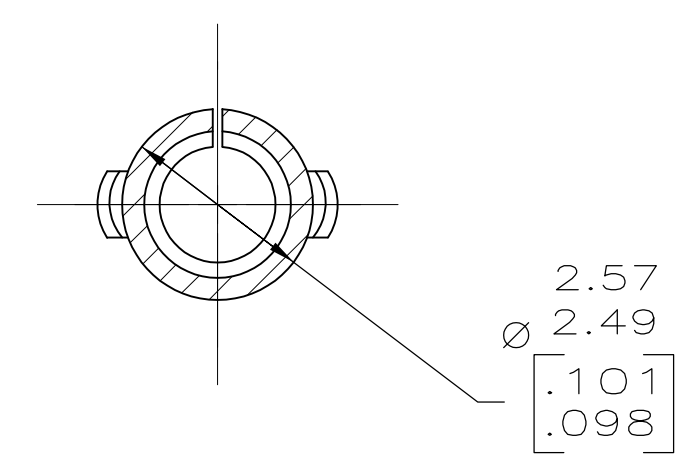
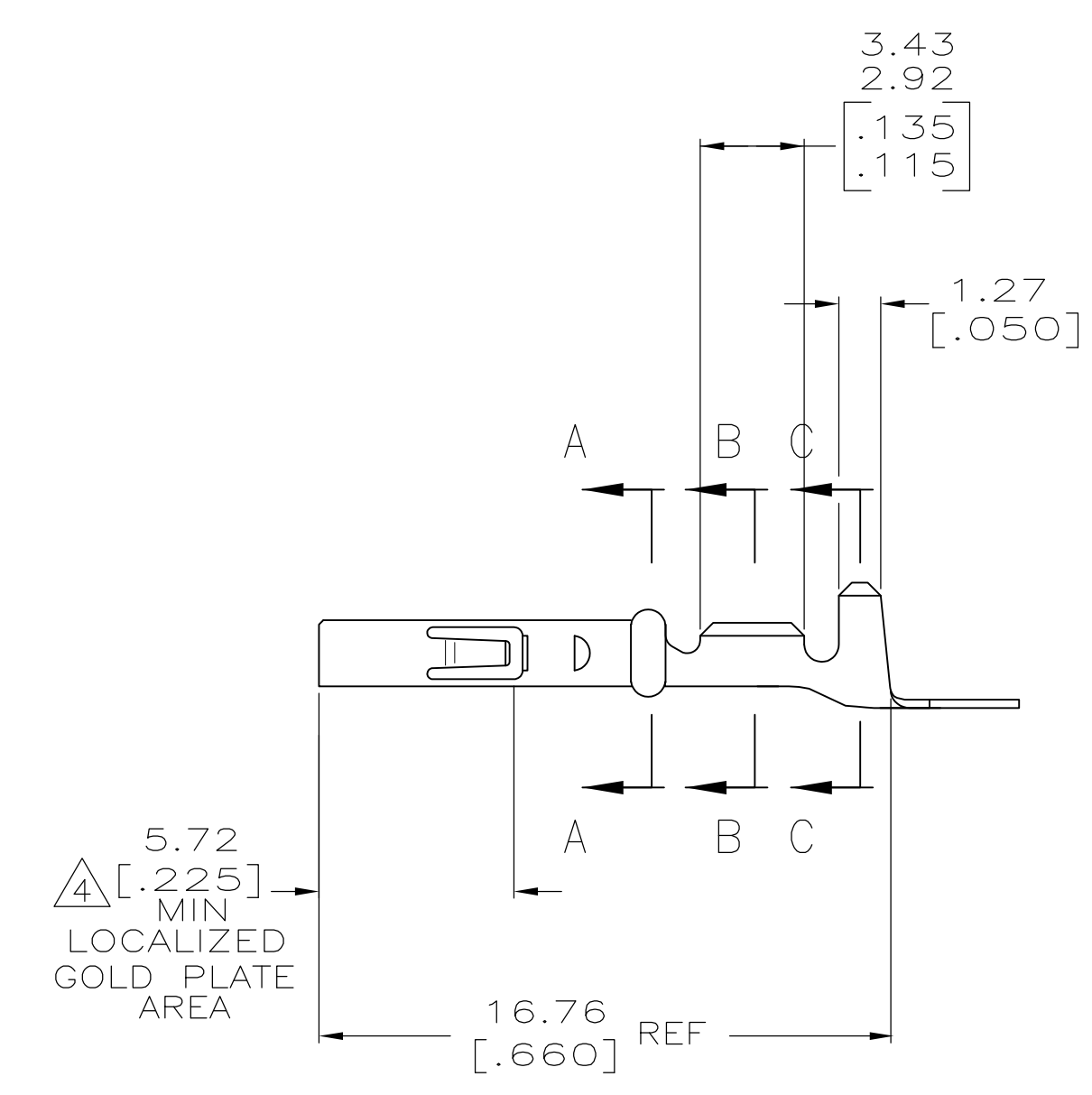
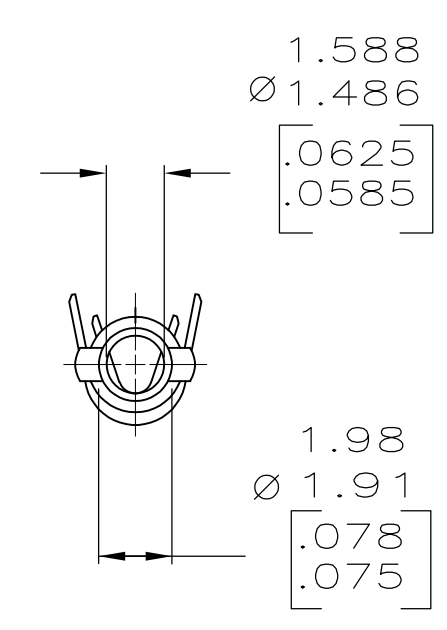
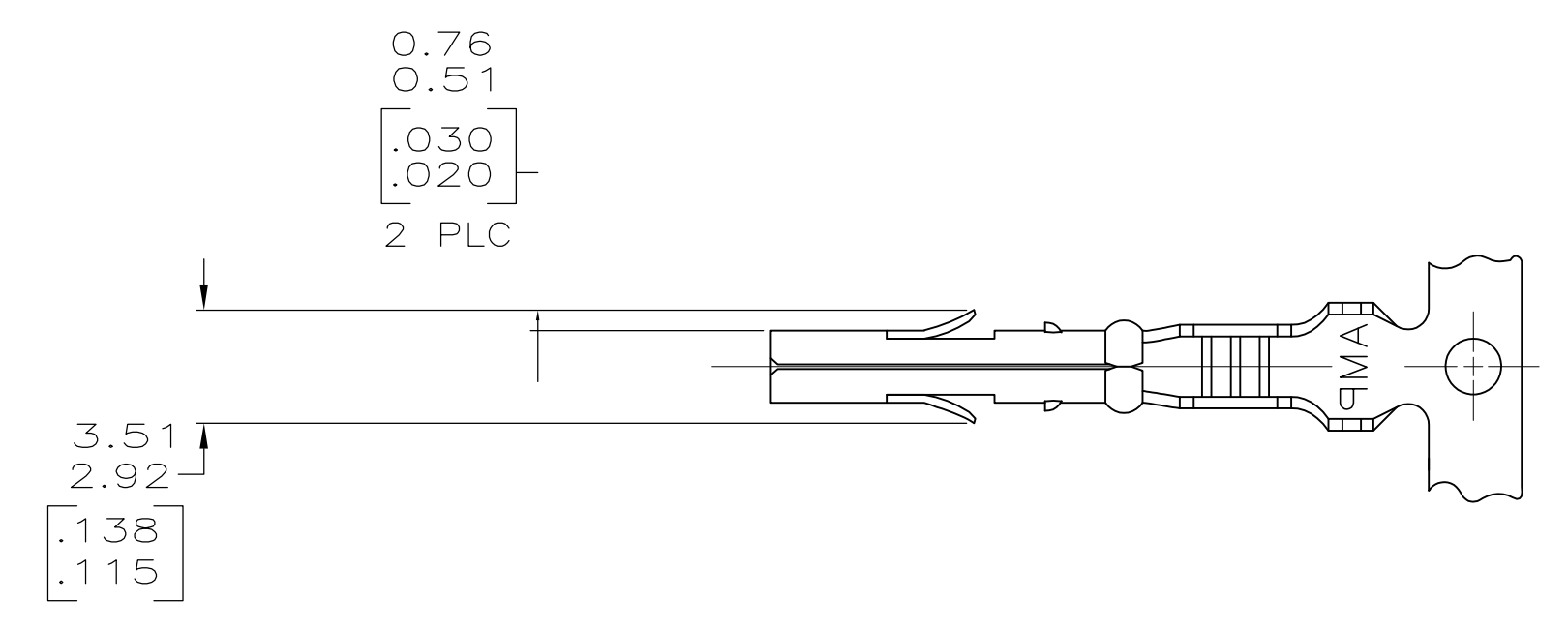
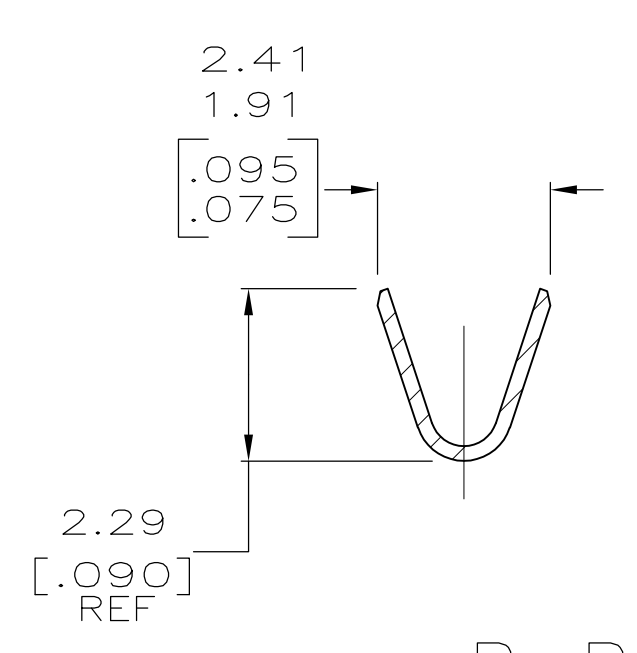


LOC		DIST		REVISIONS			
P	LTR	DESCRIPTION	DATE	DWN	APVD		
E1		ECO-07-028871	18JAN08	KW	CJ		

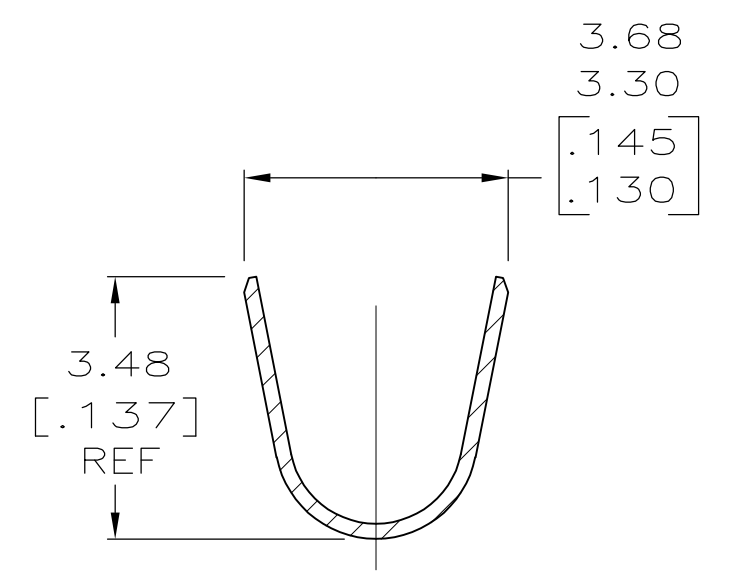
- 1 WIRE RANGE: 0.12-0.9mm<sup>2</sup> (26-18 AWG).
- 2 INSULATION RANGE: 1.27-2.92 [.050-.115] MAX. DIA.
- 3 DIMENSIONS IN BRACKETS ARE IN INCHES.
- 4  $\Delta$  PLATE INTERNALLY WITH 0.00076 [.000030] MIN GOLD IN THE LOCALIZED GOLD PLATE AREA, GOLD FLASH ON THE REMAINDER, OVER 0.00127 [.000050] MIN NICKEL UNDERPLATE.



SECTION A-A  
SCALE 10:1



SECTION B-B  
SCALE 10:1



SECTION C-C  
SCALE 10:1

$\Delta$ GOLD STRIPE	0.20 [.008] PHOS BRZ	641294-2
PRE-TIN	0.20 [.008] PHOS BRZ	641294-1
FINISH	MATERIAL	PART NO

DIMENSIONS:		TOLERANCES UNLESS OTHERWISE SPECIFIED:		DIN		Tyco Electronics	
mm	[INCHES]	0 PLC	± -	9-28-94	Tyco Electronics Corporation		
		1 PLC	± -	9-28-94	Harrisburg, PA 17105-3608		
		2 PLC	± -		NAME		
		3 PLC	± 0.13 [.005]		MR RECEPTACLE		
		4 PLC	± -		SIZE		
		ANGLES	± -		CAGE CODE		
					DRAWING NO		
					RESTRICTED TO		
MATERIAL	SEE TABLE	FINISH	SEE TABLE	WEIGHT	A1 00779 C=641294		
CUSTOMER DRAWING				SCALE	5:1	SHEET	1 OF 1
				REV	E1		

METRIC