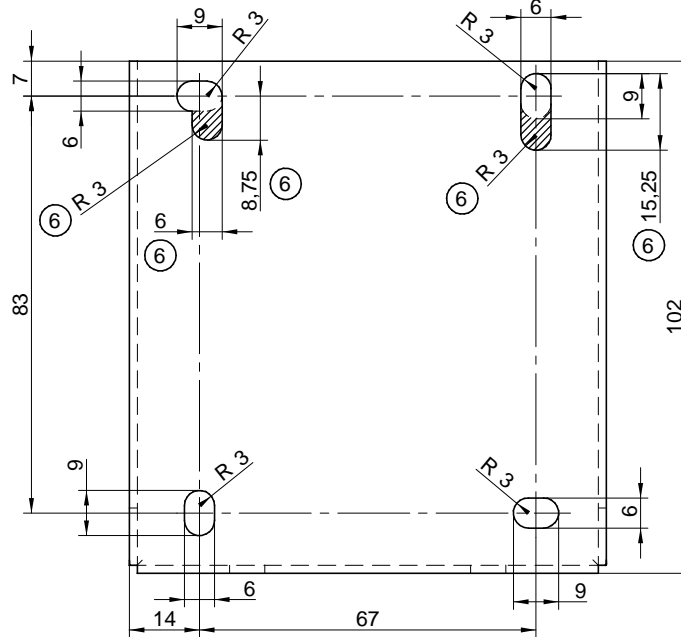
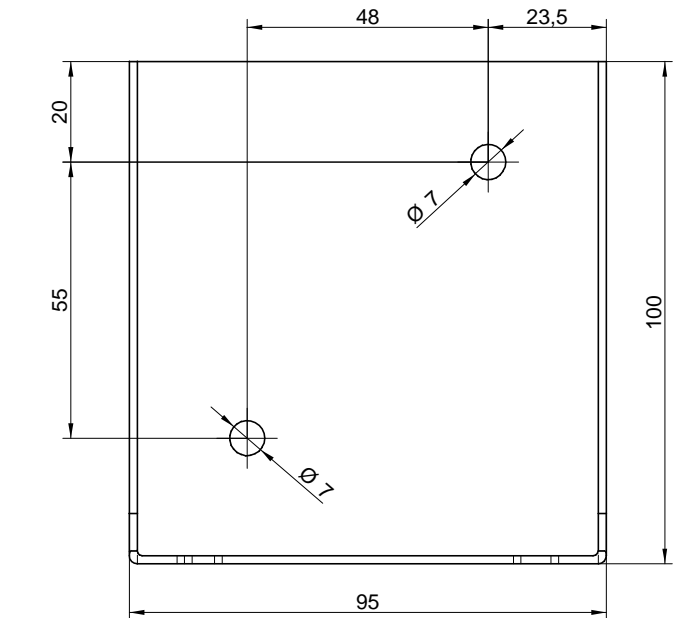
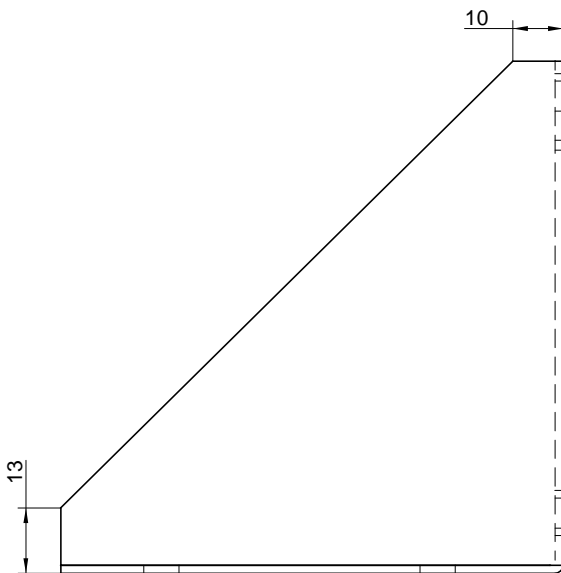
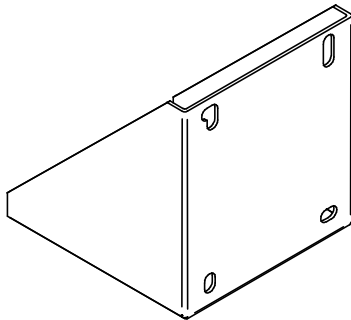


**NOTE:**

1. Blend radii 2t.
2. Fillet weld corners.



FIRST ISSUE DATE : 4.11.1990

No.	REVISION	DATE
6	Increase size of fixing slots for new Door Release unit.  Re-draw on new CAD.	5.8.99 C.N.A.
Up-Issue to 'B'. T.T.R. No. :115. Change No. : 512.		

40-4003	B	1.6mm Thick M.S.S.	Painted White Gloss	White
PART No.	Issue	MATERIAL	FINISH	COLOUR
MODEL : Door Release (FSMD)		PART : Bracket		
DESIGNED	Synchrobell	CHECKED		
DRAWN	Chris Anderson	APPROVED		
	Third Angle Projection	All Dimension in Millimetres	SCALE 1:1	Sheet 1 of 1
<b>Fulleon Ltd.</b>		Llantarnam Park, Cwmbran, Gwent. NP44 3AW		