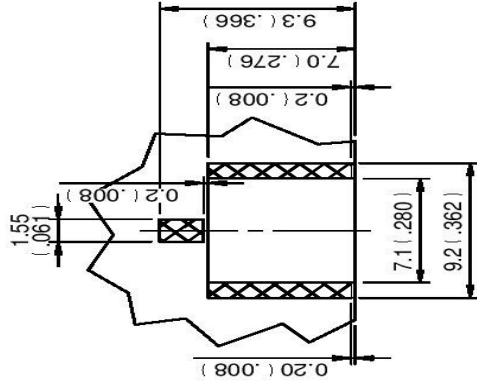
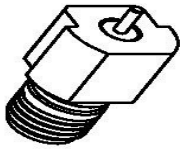


Datasheet

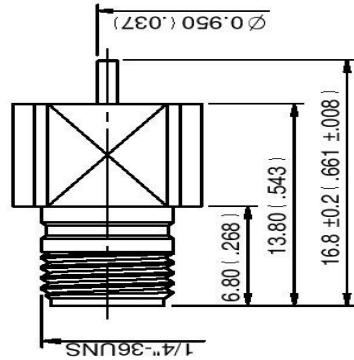
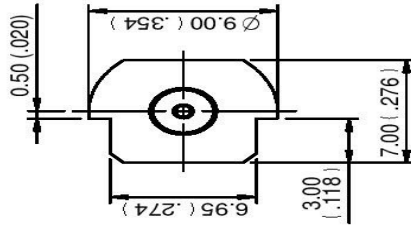
Stock No:1706973

**RS Pro**

**ANTI-VIBRATION SMP STRAIGHT LIMITED DETENT EDGE MOUNT PLUG**



RECOMMENDED  
LAND PATTERN



APPROVED

by \_\_\_\_\_ DATE: \_\_\_\_\_

**1.0 ELECTRICAL**

- 1.1 FREQUENCY RANGE: DC-18 GHz
- 1.2 NOMINAL IMPEDANCE: 50 OHMS
- 1.3 VOLTAGE RATING: 35 VOLTS MAX.
- 1.4 VSWR: 1.3 MAX.

**2.0 MATERIALS**

- 2.1 BODIES: BRASS PER JIS-C3604
- 2.2 CENTER CONTACT: BRASS PER JIS-C3604
- 2.3 INSULATION: TEFLON PER ASTM D1457 AND ASTM D1710

**3.0 FINISHES AND OTHERS**

- 3.1 SEE BELOW TABLE FOR DETAILS.

**4.0 MECHANICAL**

- 4.1 INTERFACE IN ACCORDANCE WITH MIL-STD-384A

**5.0 ENVIRONMENTAL**

- 5.1 OPERATING TEMPERATURE RANGE: -55 C TO +165 C

DESCRIPTION		ANTI - VIBRATION SMP STRAIGHT LIMITED DETENT EDGE MOUNT PLUG			
DRAWN	TOLERANCE	品名	40480108300016	DATE	版次
Jackie	X ±0.2	TITLE	IROHS COMPLIANT (50C)	日期	12.05.17
CHECK	.XX ±0.1	單位	mm(m)	DWG.NO.	48-0032-Z
Arc	.XXX ±0.05	比例	3:1		
APPROVAL	Jenny	ANGLE	± 5°		

NO.	DESCRIPTION	MATERIAL	QTY	FINISH
3	CENTER CONTACT	BRASS	1	GOLD 30 μ" MIN.
2	INSULATION	TEFLON	1	NONE
1	BODY	BRASS	1	GOLD 3 μ" MIN.