

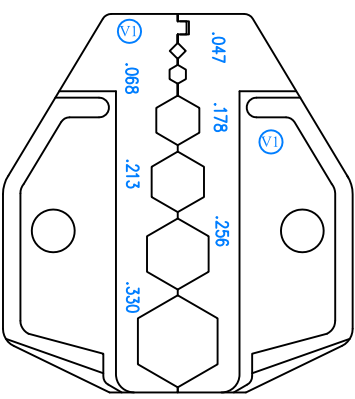
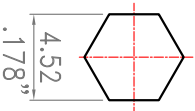
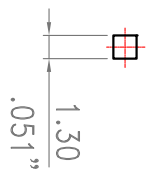
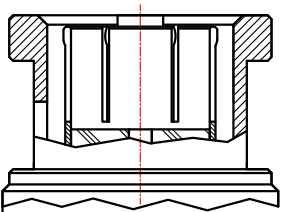
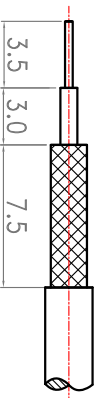
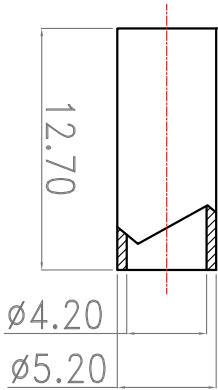
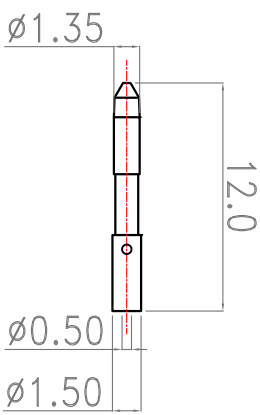
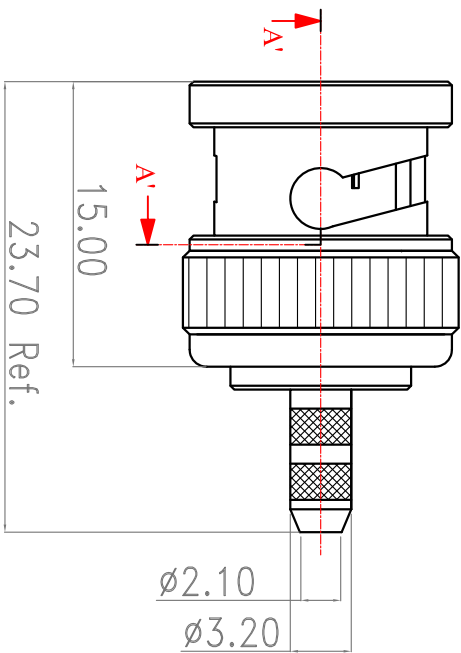


Revisions

ISS	Symbol	Description	Date
B		CHF for New Drawing Frame & New PN System	2008/04/11
B-1		Add New Die Set View on Drawing.	2012/03/27

Note :

1. Single Crimp: Providing recommended dimensions for ferrule.
2. All metal material is in compliance with RoHs Directive 2002/95/EC Annex 4 (1) Section 6 paragraph.
3. Recommended Crimped Hand Tool : for Ferrule P/N - **HT-301V1**



Van Damme code 339-775-300
RS code 7682163

Outline Drawing

Recommended Cable Stripping Dimensions

Section A'-A' 75 ohm

Recommended Crimped Dimensions for Center Pin

Recommended Crimped Dimensions for Ferrule

HT-301V1 Die Set with 6 Dies

Scale = 1:2

ROHS COMPLIANCE