

# Bus system flat-type plug - SACC-DSI-FSD-4CON-L180 SCO - 1551503

Please be informed that the data shown in this PDF Document is generated from our Online Catalog. Please find the complete data in the user's documentation. Our General Terms of Use for Downloads are valid (<http://phoenixcontact.com/download>)




Bus system flush-type socket, ETHERNET, 4-pos., M12 SPEEDCON, D-coded, rear/screw mounting with Pg9 thread, with straight solder connection



Ethernet



## Key commercial data

Packing unit	20 pc
Minimum order quantity	20 pc
GTIN	 4 046356 153638
Weight per Piece (excluding packing)	13.91 g
Custom tariff number	85366990
Country of origin	Germany

## Technical data

### Mechanical characteristics

Standards/specifications	M12 connector IEC 61076-2-101
Number of positions	4
Shielded	No
Insertion/withdrawal cycles	> 100
Connection method	Solder pins

### Ambient conditions

Ambient temperature (operation)	-25 °C ... 85 °C (Plug / socket)
	-40 °C ... 85 °C (without mechanical actuation)
	-25 °C ... 85 °C (cable, flexible installation)
	-40 °C ... 85 °C (cable, fixed installation)
Degree of protection	IP67

### Material data

Inflammability class according to UL 94	V0
Contact carrier material	PA 66

# Bus system flat-type plug - SACC-DSI-FSD-4CON-L180 SCO - 1551503

## Technical data

### Material data

Contact material	CuZn
Contact surface material	Au
Cable gland material	Zinc die-cast, nickel-plated
Sealing material	NBR

### Electrical characteristics

Number of positions	4
Nominal voltage $U_N$	250 V
Nominal current $I_N$	4 A
Surge voltage category	II
Pollution degree	3

## Classifications

### eCl@ss

eCl@ss 4.0	27250313
eCl@ss 4.1	27250313
eCl@ss 5.0	27143423
eCl@ss 5.1	27143423
eCl@ss 6.0	27143423
eCl@ss 7.0	27449001
eCl@ss 8.0	27440103

### ETIM

ETIM 3.0	EC002061
ETIM 4.0	EC000830
ETIM 5.0	EC002061

### UNSPSC

UNSPSC 6.01	31261501
UNSPSC 7.0901	31261501
UNSPSC 11	31261501
UNSPSC 12.01	31261501
UNSPSC 13.2	31261501

## Approvals

### Approvals

---

#### Approvals

UL Recognized / EAC / cULus Recognized

# Bus system flat-type plug - SACC-DSI-FSD-4CON-L180 SCO - 1551503

## Approvals

Ex Approvals

Approvals submitted

## Approval details

UL Recognized	
mm <sup>2</sup> /AWG/kcmil	26-20
Nominal current I <sub>N</sub>	4 A
Nominal voltage U <sub>N</sub>	250 V

EAC
-----

cULus Recognized	
mm <sup>2</sup> /AWG/kcmil	20
Nominal current I <sub>N</sub>	4 A
Nominal voltage U <sub>N</sub>	250 V

## Accessories

### Accessories

#### Protective cap

Screw plug - PROT-M12 - 1680539



An M12 screw plug for the unoccupied M12 sockets of the sensor/actuator cable, boxes and flush-type connectors

Screw plug - PROT-M12 SH - 1503302



An M12 screw plug for the unoccupied M12 sockets of the shielded sensor/actuator cable, boxes and flush-type connectors

# Bus system flat-type plug - SACC-DSI-FSD-4CON-L180 SCO - 1551503

## Accessories

Screw plug - PROT-M12 FB - 1555538



M12 high-grade steel screw plug, for unoccupied M12 sockets of the sensor/actuator cables, boxes and flush-type connectors for the food industry

## Seal

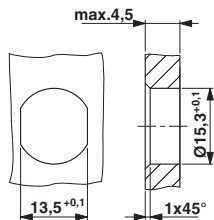
Flat gasket - SACC-PG9-SEAL CLM - 1556320



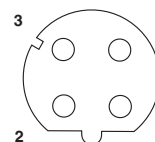
Pg9 flat gasket for the rear mounting of M12 flush-type connectors with Pg9 fastening threads

## Drawings

Dimensioned drawing



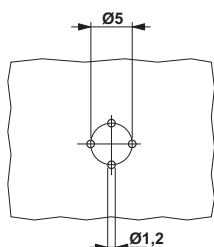
Schematic diagram



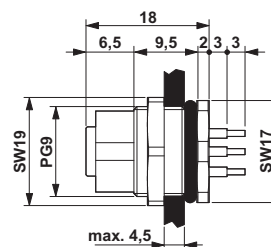
Pin assignment M12 socket, 4-pos., D-coded, female side

Housing cutout for Pg9 fastening thread, mounting panel with feed-through hole (alternatively with area as anti-rotation protection for panel thicknesses > 2 mm up to max. 4.5 mm)

Drilling diagram



Dimensioned drawing

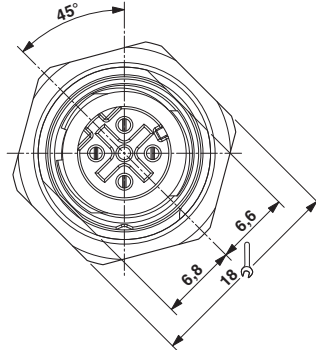


M12 flush-type connector

M12 flush-type connector

## Bus system flat-type plug - SACC-DSI-FSD-4CON-L180 SCO - 1551503

Dimensioned drawing



M12 front view