

BD01-AK1M1/F TAP-OFF UNIT

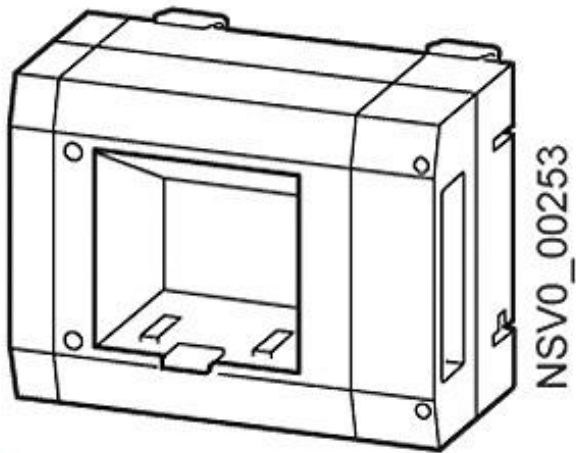


Figure similar

Model	
product designation	tap-off unit for BD01 busbar trunking system
operating voltage / at AC	
<ul style="list-style-type: none"> <li>at 50 Hz / rated value / maximum</li> </ul>	400 V
<ul style="list-style-type: none"> <li>at 60 Hz / rated value / maximum</li> </ul>	400 V
Protection class	
protection class IP	IP54
Dissipation	
power loss [V·A] / maximum	13 V·A
Main circuit	
operating frequency / rated value	
<ul style="list-style-type: none"> <li>minimum</li> </ul>	50 Hz
<ul style="list-style-type: none"> <li>maximum</li> </ul>	60 Hz
operating current	
<ul style="list-style-type: none"> <li>for circuit 1 / at AC / at 50 Hz / rated value / maximum</li> </ul>	35 A

- for circuit 1 / at AC / at 60 Hz / rated value / maximum

35 A

## Connections

connectable conductor cross-section / in the outgoing unit

- minimum
- maximum

0.75 mm<sup>2</sup>

16 mm<sup>2</sup>

## Tap-off points

outgoing unit version

cable entry

Size of the outgoing feeder

1

number of poles / of the outgoing feeder

5

## Mechanical Design

height

124 mm

width

160 mm

length

195 mm

number of width units

4

product component / locking mechanism

Yes

## Certificates

### Declaration of Conformity



EG-Konf.

## Further information

**Information- and Downloadcenter (Catalogs, Brochures,...)**

<http://www.siemens.com/lowvoltage/catalogs>

**Industry Mall (Online ordering system)**

<https://mall.industry.siemens.com/mall/en/en/Catalog/product?mlfb=BVP:034273>

**Service&Support (Manuals, Certificates, Characteristics, FAQs,...)**

<https://support.industry.siemens.com/cs/ww/en/ps/BVP:034273>

**Image database (product images, 2D dimension drawings, 3D models, device circuit diagrams, ...)**

[http://www.automation.siemens.com/bilddb/cax\\_en.aspx?mlfb=BVP:034273](http://www.automation.siemens.com/bilddb/cax_en.aspx?mlfb=BVP:034273)

**CAX-Online-Generator**

<http://www.siemens.com/cax>

**Tender specifications**

<http://www.siemens.com/specifications>