



VERDERFLEX®

VERDERFLEX OEM

Any questions? You may still have questions and/or comments after reading this brochure. Please feel free to contact us on +44 (0)1924 221 020 You can also respond via email to info@verderflex.com. For more information about Verderflex please visit our website www.verderflex.com

R3DC

VERDERFLEX®



VERDERFLEX
 Unit 3, California Drive, **TEL** +44 (0)1924 221 020
 Castleford WF10 5QH **FAX** +44 (0)113 222 0291
 United Kingdom **MAIL** info@verderflex.com
WEB www.verderflex.com

AT Wien **BE** Aartselaar **BG** Sofia **CH** Basel **CN** Shanghai **CZ** Praha **DE**
 Haan **FR** Eragny s/Oise **GB** Castleford **HU** Budapest **IT** Torre Boldone
JP Tokyo **NL** Groningen/Vleuten **PL** Katowice **RO** Bucuresti/Sibiu
RU St Petersburg **SK** Bratislava **US** Newtown/Macon **ZA** Northriding

R3DC.EN.0913

VERDER
 passion for pumps

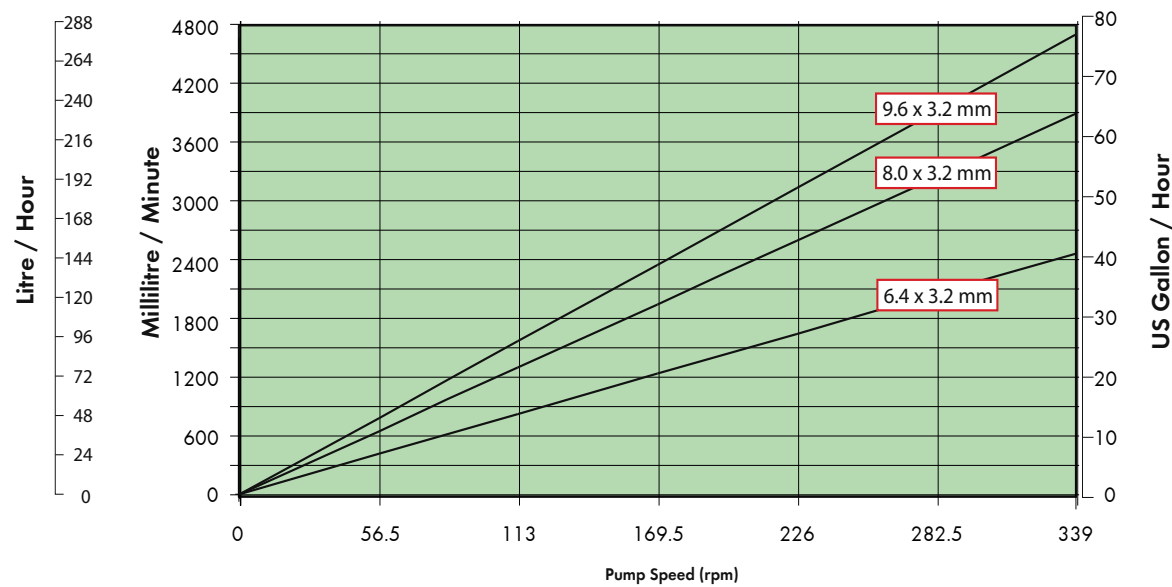
R3DC

Robust design with thick wall tube for suction and pressure handling.

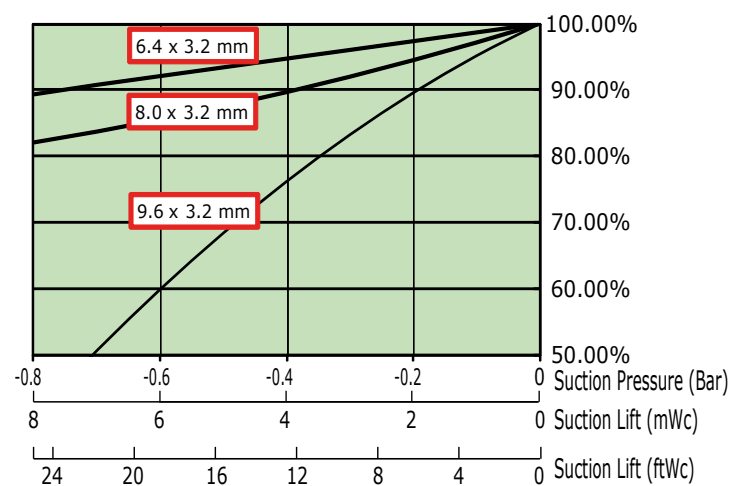
- Flow rates up to 3.4 l/min (54 US GPH)
- D.C. motor for speed/flow rate variations
- Typically used in:
 - Printing production
 - Dispensing
 - Industrial detergent applications



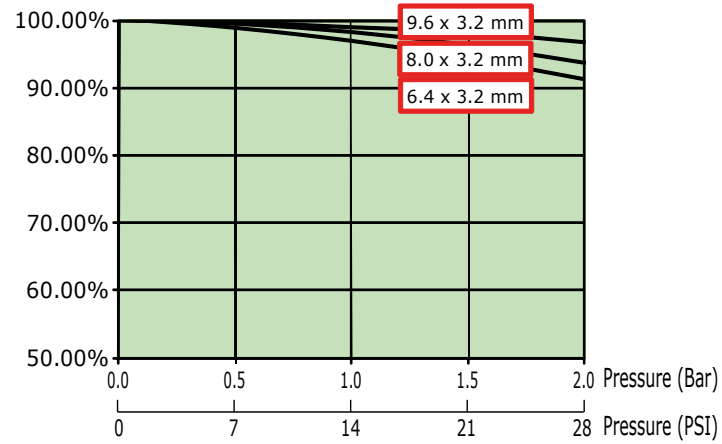
R3DC Free Flow Curve



Suction



Discharge



Flow rates with water at 20°C (68°F)

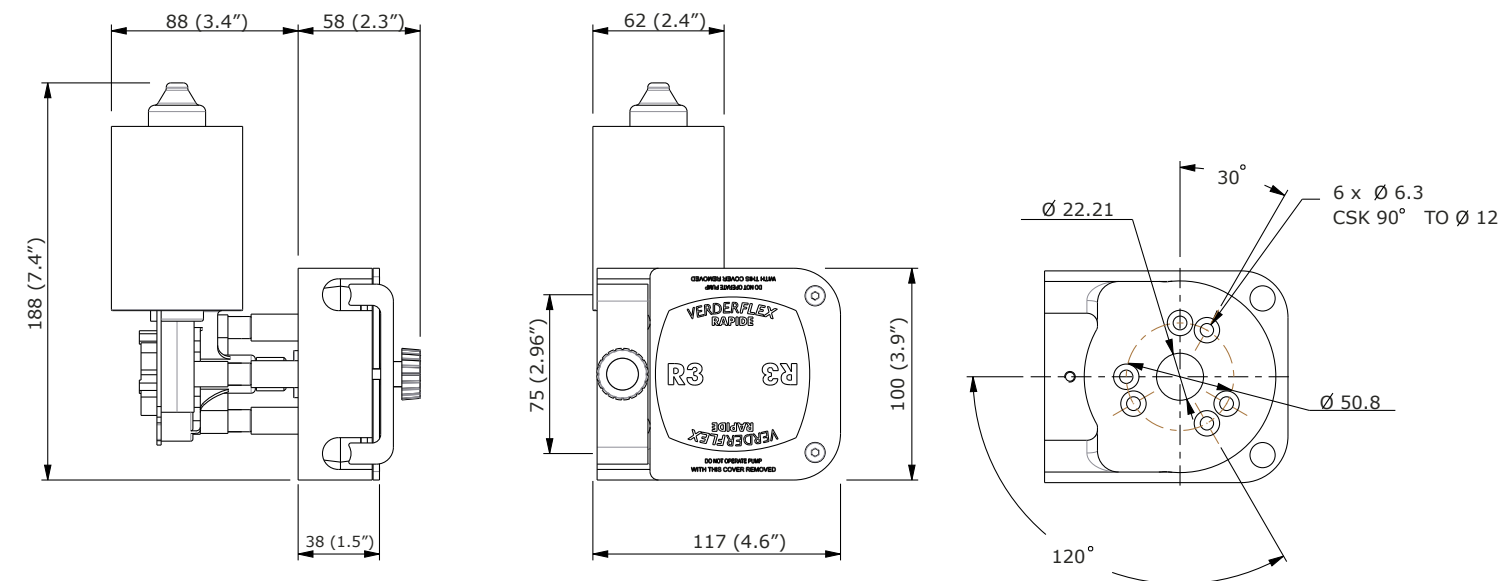
Technical Overview

| Function | Detail |
|--------------|--|
| Pump head | Aluminium alloy with support bearing |
| Motor | 12/24V D.C. 100W Spur gearbox |
| Rotor | Aluminium alloy |
| Power Supply | 12/24V D.C. 100W |
| Tube | Verderprene and Silicone |
| Tube Sizes | 6.4 x 3.2mm, 8.0 x 3.2mm and 9.6 x 3.2mm |
| Weight | 1.75 kg (3.9 lb) |

Tube Size Options

| Tube (ID x WT) | 55 RPM | 125 RPM | 240 RPM |
|--------------------------------|-----------|------------|---------|
| 6.4 x 3.2 mm (1/4" x 1/8") | 0.4 l/min | 0.9 | 1.8 |
| | 24.4 l/hr | 55.5 | 106.6 |
| | 6.5 GPH | 14.7 | 28.2 |
| 8.0 x 3.2 mm (5/16" x 1/8") | 0.6 l/min | 1.5 | 2.8 |
| | 38.6 l/hr | 87.8 | 168.5 |
| | 10.2 GPH | 23.2 | 44.5 |
| 9.6 x 3.2 mm (3/8" x 1/8") | 0.8 l/min | 1.8 | 3.4 |
| | 46.9 l/hr | 106.5 l/hr | 204.5 |
| | 12.4 GPH | 28.1 | 54.0 |

General Arrangement Drawing and Mounting Positions



All dimensions in millimetres and inches