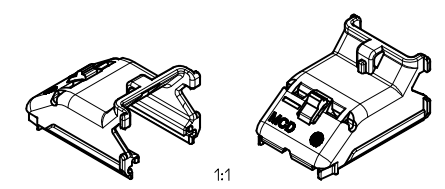
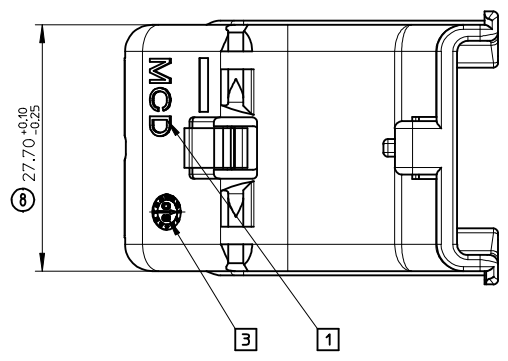
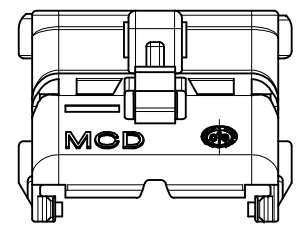
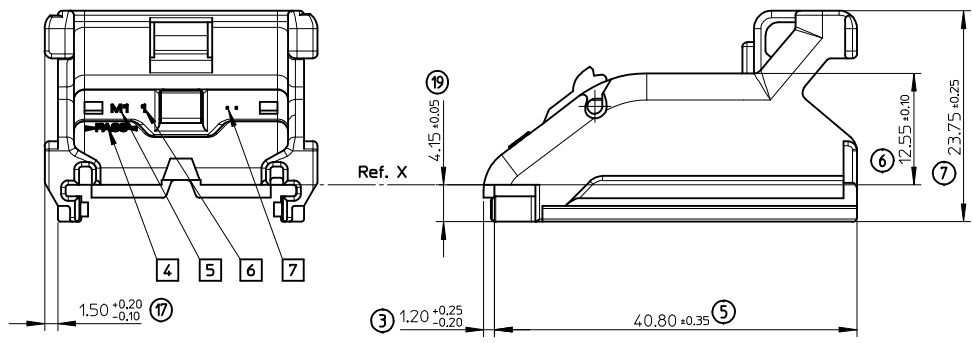
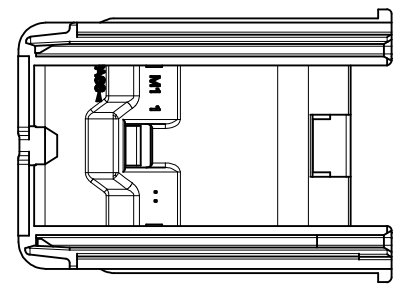


NOTES:

- 1- MATERIAL: PA 6.6 BLACK heat stabilized.
- 2- DELIVERED PRODUCT WEIGHT: 5.0 g.
- 3- RELATED COUNTERPART FEMALE CONNECTORS (48 WAYS).

MARKINGS:

- 1 Supplier identification.
- 3 Date: MONTH/YEAR.
- 4 Material.
- 5 Mould identification M1 or M2.
- 6 Print identification (number).
- 7 Revision level



REVISED EC NO: G2015-0147 D DRW: PBOUAIN 2015/02/12 CHKD: APLESSIS 2015/02/12 APPR: CBOUCHAN 2015/03/03	DESCRIPTION WIRE CAP 48 WAY MAT SEAL VERSION	QUALITY SYMBOLS ▽=0 ▽=0 ▽=0		GENERAL TOLERANCES (UNLESS SPECIFIED)		DIMENSION STYLE MM ONLY		SCALE 2.5:1	DESIGN UNITS METRIC	FIRST ANGLE PROJECTION
				4 PLACES ± --- ± --- 3 PLACES ± --- ± --- 2 PLACES ± --- ± --- 1 PLACE ± --- ± --- 0 PLACE ± --- ± ---	DRAWN BY PGRANDCL DATE 2013/04/16	CHECKED BY JDUCLOS DATE 2013/04/16	TITLE WIRE CAP 48 WAY MAT SEAL VERSION			
				ANGULAR ± --- ° DRAFT WHERE APPLICABLE MUST REMAIN WITHIN DIMENSIONS		APPROVED BY CBOUCHAN DATE 2014/02/03				
		THIS DRAWING CONTAINS INFORMATION THAT IS PROPRIETARY TO MOLEX INCORPORATED AND SHOULD NOT BE USED WITHOUT WRITTEN PERMISSION								