

### Dimplex Convector Heaters

Models : DX200, DX200S, DXW200S, DX200T, DX300S, DX300T and DX300TF.

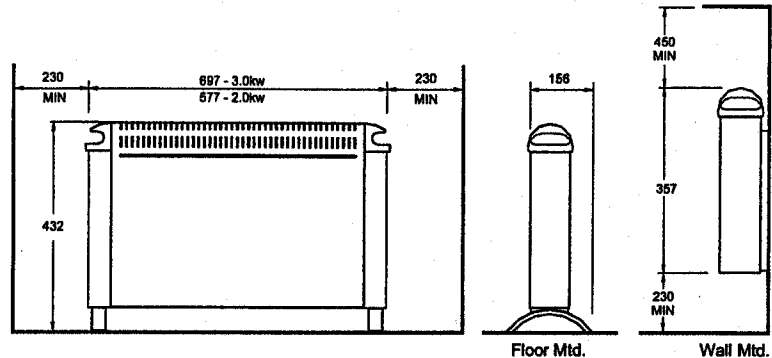
INDCUKDX2R Issue 4



#### Dimensions

(millimetres)

Model(s)	Specification
DX200	2.0kw + Thermostat
DX200S	2.0kw + Thermostat + Switch
DXW200S	2.0kw + Thermostat + Switch (Wall Mtd.)
DX200T	2.0kw + Thermostat + 24hr Timer
DX300S	3.0kw + Thermostat + 2 Switches
DX300T	3.0kw + Thermostat + 24hr Timer
DX300TF	3.0kw + Thermostat + 24hr Timer + Turbo



#### IMPORTANT SAFETY ADVICE

**WARNING - THIS APPLIANCE MUST NOT BE USED IN A BATHROOM**  
**WARNING - DO NOT USE THIS HEATER IN THE IMMEDIATE SURROUNDINGS OF A BATH, A SHOWER OR A SWIMMING POOL.**

**WARNING - THIS HEATER MUST NOT BE LOCATED IMMEDIATELY BELOW A FIXED SOCKET OUTLET.**

**DO NOT USE THE HEATER UNTIL THE FEET OR WALL BRACKETS ARE FITTED CORRECTLY.**

**FOLLOW** these instructions carefully.

**NEVER** cover or obstruct in any way the heat outlet slots at the top of the heater or the air inlet slots in the base of the heater.

The heater carries a warning 'DO NOT COVER' to alert the user to the risk of fire that exists if the heater is accidentally covered.

Models DX200T, DX300T, DX300TF can be set to switch on automatically. Remember to observe all safety warnings at all times.

If young children, the aged or infirm are likely to be left in the vicinity of the heater, we advise that adequate precautions should be taken. We recommend that a guard be fitted to ensure contact with the heater is avoided and objects cannot be inserted into the product.

If the mains lead is damaged, it must be replaced by the manufacturer or its service agent or a similarly qualified person in order to avoid a hazard.

For further information, please contact our guard supplier direct on Tel. No. 01603 667957, or in case of difficulty or for further advice contact the Customer Helpline.

#### Electrical connection

**WARNING - THIS APPLIANCE MUST BE EARTHED**

This heater must be used on an AC ~ supply only and the voltage marked on the heater must correspond to the supply voltage. If fitting a 13 amp plug, a 13 amp fuse approved by ASTA to BS 1362 must be used. If any other type of type of plug is used, a 15 amp fuse must be fitted in the plug, the adaptor, or at the distribution board.

**IMPORTANT** - The wires in the mains lead are coloured in accordance with the following code:

<b>GREEN and YELLOW</b>	-	<b>EARTH</b>
<b>BLUE</b>	-	<b>NEUTRAL</b>
<b>BROWN</b>	-	<b>LIVE</b>

Connect the **GREEN AND YELLOW** wire to the terminal marked 'E' or by the earth symbol , or coloured **GREEN** or **GREEN AND YELLOW**.

Connect the **BROWN** wire to the terminal marked 'L' or coloured **RED**.

Connect the **BLUE** wire to the terminal marked 'N' or coloured **BLACK**.

This appliance must only be used on A.C. mains supply of 230/240 Volts~.

#### Wall Mounting

Three identical wall mounting brackets are secured to the base of the heater with a fixing screw. To wall mount appliance, first remove the brackets as follows :

Lay the heater on its back.

Following the sequence in Fig. 1 - identify and remove the fixing screw securing the brackets located beside Mains Cable as shown in (A), then pull out brackets and rotate them to disengage them from the slot (B). Withdraw the brackets from the slot (C).

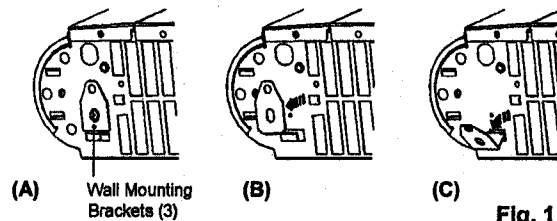


Fig. 1

Select a suitable position on a wall, near to a mains power socket, making sure that there is *at least* 230 mm below the heater and *at least* 450 mm above the heater of unobstructed space. See also 'Positioning the heater'.

Fix the two top retaining brackets to the wall, using suitable fixings, for 2kw models at 358 mm centres and 3kw models at 478 mm centres - see Fig 2.

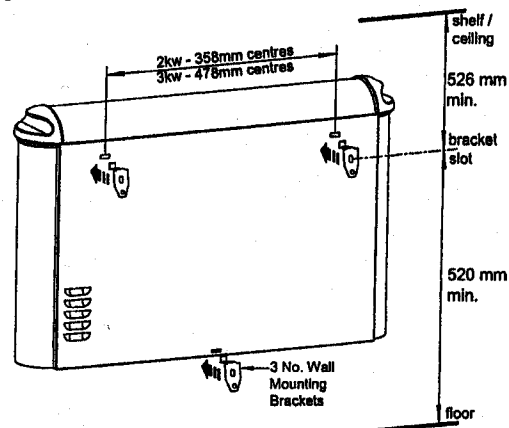


Fig. 2

Locate the heater on the top brackets and allow it to hang in place. Fit the bottom bracket into the slot in the heater and then fix it to the wall. Test that the heater is now securely fixed to the wall.

## Positioning the heater

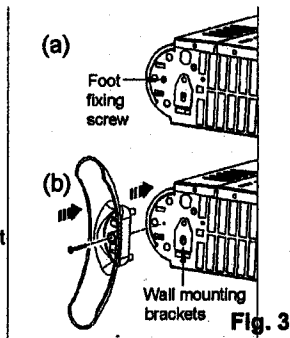
Always ensure that the heater is stood on a firm, level base near to, but not directly beneath, a suitable mains supply socket. Ensure that curtains and furniture are not positioned close to the chosen position, as this would create a potential fire hazard. We recommend that the heater should be wall-mounted in rooms where children may be left unattended. See also 'Important Safety Advice'.

## Free standing use (all models except DXW200S)

**NEVER USE THE HEATER FREE STANDING WITHOUT THE FEET FITTED.**

Lay the heater on its back, and locate the foot fixing screw (see a. in Fig. 3). Remove the screw using an X-head screwdriver, then align foot over slots and holes in base (see 'b' in Fig. 3) and push into slots until the foot clips into place.

Finally take the foot fixing screw, insert and tighten using a screwdriver to secure the foot.



**NOTE** - The wall mounting brackets indicated in Fig. 3 can be left secured to the base if they are not required.

## Using the heater

Switch on at the wall socket.

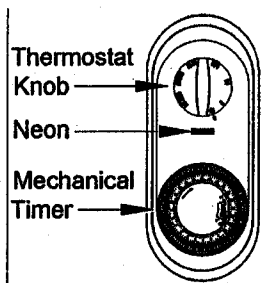
On models with a neon, the red POWER ON neon will light when the heater is connected to the power supply.

The timer clock will operate all the time that the heater is connected to the mains supply.

Set the timer control switch as required for OFF, Manual or Automatic operation - see 'Timer Operation'.

On models DX200S, DXW200S & DX300S the heat selector switch positions are as follows:

- I - Low heat output
- II - High heat output



**Fig. 4**  
(Model DX200T, DX300T & DX300TF control shown)

On model DX300S there is also an On - Off switch - operation as follows:

- O - Off
- I - On

The heat output is controlled by the thermostat - see 'Thermostat'

Please note - the element has been coated with a protective film which will burn off during the first few minutes of use and may cause a small amount of fuming. This is quite normal - the fumes are non-toxic and will quickly disappear. We recommend that you open a window to ventilate the room when using the heater for the first time.

## Controls

### Thermostat

The thermostat controls the heat output according to the room temperature.

This ensures that the heater will not produce heat unnecessarily when the room is warm.

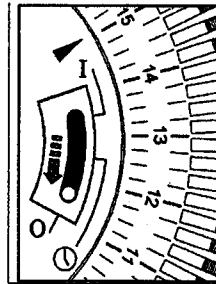
To set the temperature you require, turn the thermostat knob clockwise until the desired temperature is reached. Alternatively to heat a cold room quickly, turn the thermostat knob up fully.

When the room has reached the desired temperature, turn the thermostat knob anti-clockwise until the thermostat just clicks off.

The heater will now automatically operate at this temperature.

The thermostat also has a frost protection setting marked '\*'. This setting is useful in areas such as garages to prevent frost damage. If the thermostat is set to its minimum setting \*, the heater will cycle ON and OFF to maintain a temperature of approximately 5°C to help protect against frosty conditions.

## Timer Operation



**Fig. 5**

Set the I - 0 - 0 slide switch on the timer Fig. 5 to:

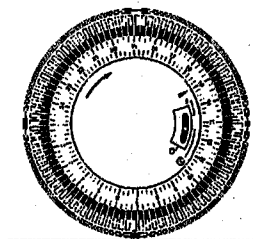
**Position O** - for Heating Off

**Position I** - for Manual operation

- This setting allows power to the heater uninterrupted by the timer settings. The heat selector switch will control the output (see 'Using the heater').

**Position 0** - for 'Auto' operation

DO NOT disconnect this heater from the mains supply unless it is being taken out of use (e.g. in summer or for storage), otherwise the timer clock will stop.



**Fig. 6**

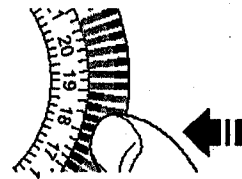
## Setting the time of day

To set the time of day, rotate the timer dial clockwise (indicated by the arrow) until the correct time of day is opposite the reference mark ► (see Fig. 5). The 24-hour clock is used; e.g. time shown for 4 pm is '16' (16:00hrs).

## Setting the auto ON and OFF times

To set the timer:

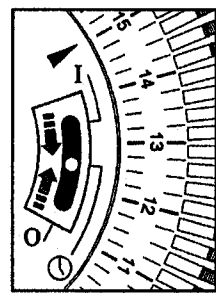
1. Using your finger tip or the tip of a pencil, push in as many segments as necessary around the dial, according to the times you don't require heat - see Fig. 7. Each segment pushed in switches the heater OFF for that part of the hour. All other segments will be ON. For example, Fig. 9 shows the timer set to switch the heater ON between 7 am and 9 am and 9 am and 4 pm and 9.30 pm.



**Fig. 7**

2. You can select as many ON periods as you like, within the 24-hour day. The settings will repeat every day until changed.

3. To change ON and OFF times, simply push in any 'ON' segments you wish to cancel and pull out new ON segments as required.



**Fig. 8**

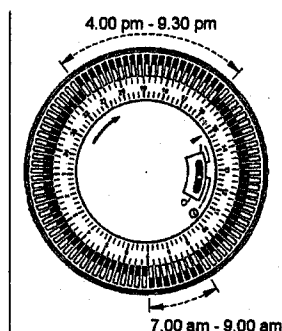
## Switching to 'Auto'

Set the heat selector and thermostat for the heat output required.

Check that the clock shows the correct time of day. Set the I - 0 - 0 slide switch to position marked 0 (see Fig. 8) - the convector will switch ON and OFF according to the timer settings (see Fig 9).

## IMPORTANT NOTES

Remember to observe all safety warnings when operating the heater on auto setting unattended or attended. If the mains supply to the heater is interrupted, the timer clock will stop until power is restored; reset the time of day to ensure correct ON and OFF times.



**Fig. 9**

### Turbo Fan model (DX 300TF)

The turbo fan is used to boost the airflow around the room. The fan will circulate the heat around the room to reach the desired temperature more quickly.

On this model once power is supplied to the heater & the timer is in an on position the heater can be set to run on 2kW output by setting the turbo switch in its off position ( neon off ). For 3kW output you turn the turbo switch to its on position (neon on) to introduce an additional 1kw of heat with fan boost which added to the 2kW setting will give a total output of 3kW with fan boost. ( Note: on this model turbo boost is only possible on 3kW operation).

Note: there is no cold blow operation on this model and all heat settings operate under the control of the thermostat.

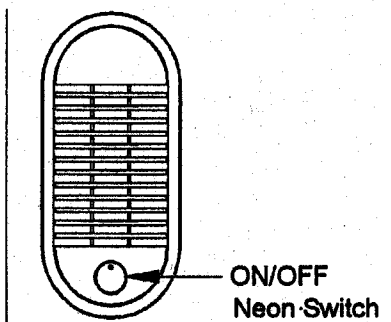


Fig. 10  
Turbo Model - DX300TF

### Safety – overheat protection

For your safety, this appliance is fitted with a thermal cut-out. In the event that the product overheats, the cut-out switches the heater off automatically.

To bring the heater back into operation, remove the cause of the overheating, then unplug or turn off the electrical supply to the heater for a few minutes.

When the heater has cooled sufficiently, re-connect and switch on the heater.

### Important Notes

Although this heater is manufactured to comply with the relevant safety standards, certain types of carpets could become discoloured by the temperatures under a portable heater. If you are concerned about this, we recommend that you contact the carpet manufacturer for guidance. Alternatively, either stand the heater on a suitable base to shield the carpet or wall-mount it – call our Helpline for further advice.

You may notice some parts of the element appearing to be hotter from time to time because of the variable airflow through the heater. This does not cause a safety hazard.

The heat outlet grille may become discoloured with use – this is caused by airborne pollution and is not a fault.

### Cleaning and User Maintenance

**WARNING – ALWAYS DISCONNECT FROM THE POWER SUPPLY BEFORE CLEANING THE HEATER.**

Do not use detergents, abrasive cleaning powder or polish of any kind on the body of the heater.

Allow the heater to cool, then wipe with a dry cloth to remove dust and a damp cloth (not wet) to clean off stains. Be careful not to allow moisture into the heater.

### After Sales Service

Your appliance is guaranteed for three years from the date of purchase. We undertake to repair or exchange free of charge within this period, any part found to be defective due to a manufacturing fault.

Your rights under this guarantee are additional to your statutory rights, which in turn are not affected by this guarantee.

Please retain receipt as proof of purchase.



The product complies with the European Safety Standards EN60335-2-30 and the European Standard Electromagnetic Compatibility (EMC) EN55014, EN60555-2 and EN60555-3 which cover the essential requirements of EEC Directives 73/23 and 89/336

Glen Dimplex UK Limited  
Millbrook House  
Grange Drive  
Hedge End  
Southampton  
Hampshire. SO30 2DF

UK customer help line (8.00AM – 6.00PM Mon-Fri; 8.30AM-1.00PM Sat)

Customer Services: Tel. 0870 7270101  
Fax. 0870 7270102  
e-mail [customer.services@glendimplex.com](mailto:customer.services@glendimplex.com)  
Republic of Ireland Tel. 01 8424833