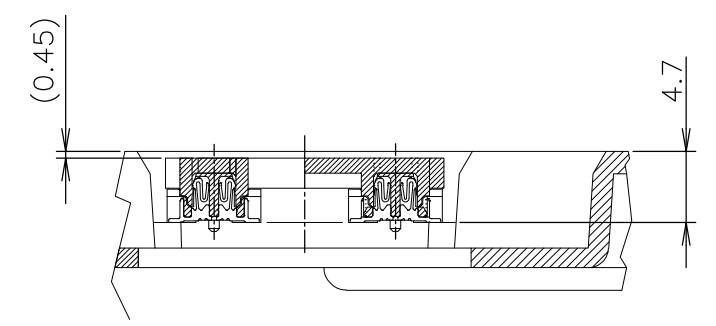
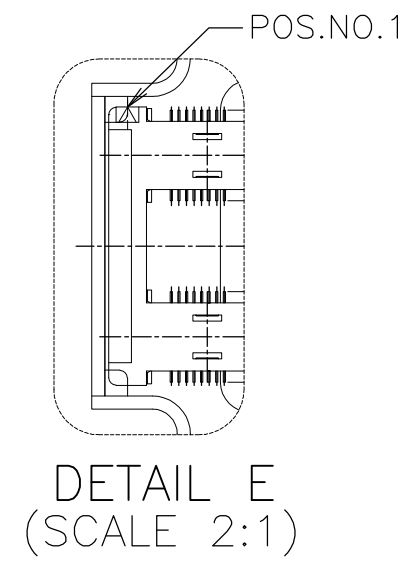
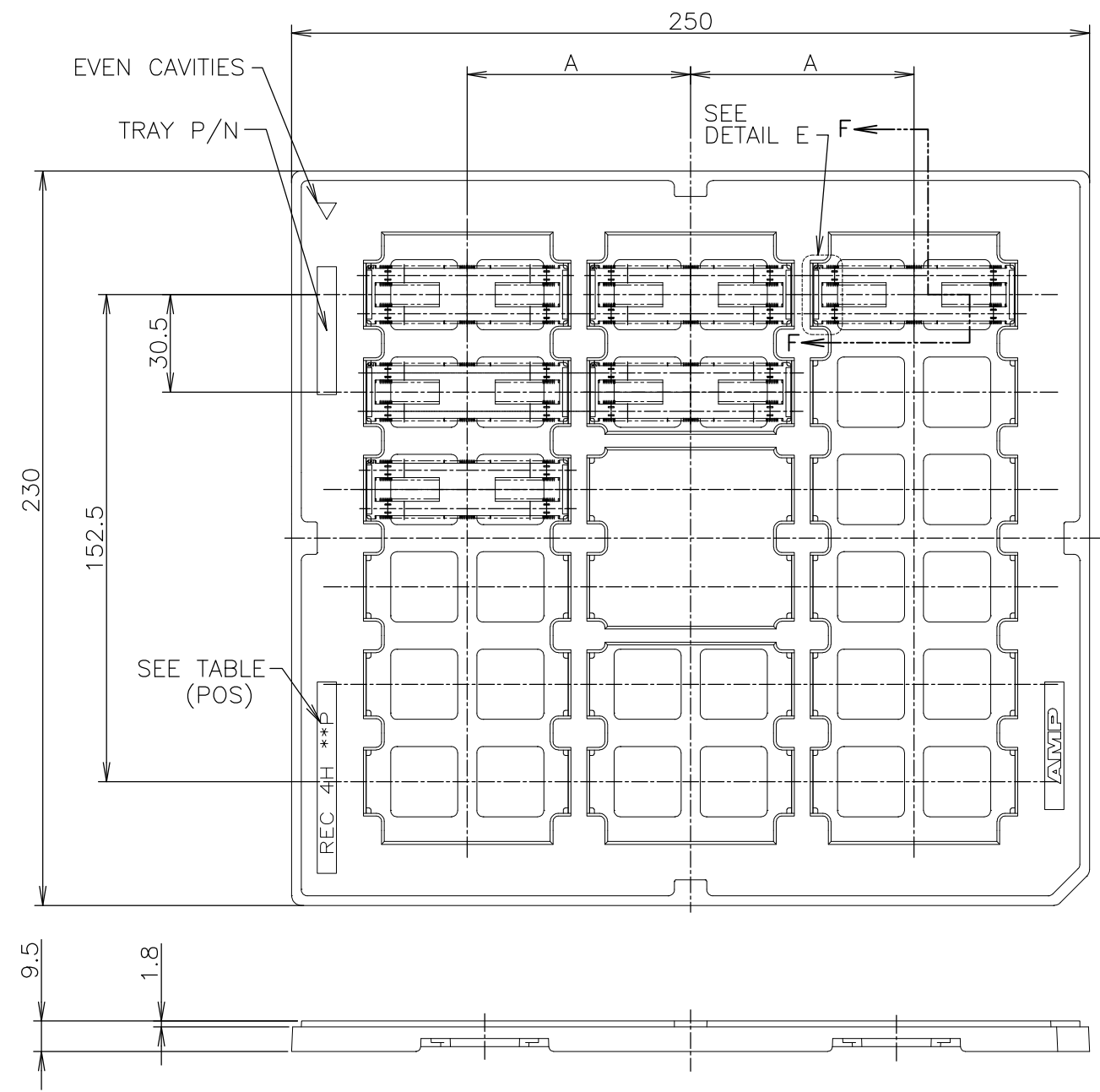


THIS DRAWING IS UNPUBLISHED. RELEASED FOR PUBLICATION .2005.
 © COPYRIGHT 2005 By - ALL RIGHTS RESERVED.

LOC	DIST	REVISIONS			
P	LTR	DESCRIPTION	DATE	DWN	APVD
J		B1	REVISED PER ECO-11-005030	11MAR11	RK HMR



NO	3	18	75	440	3-1827231-6
SEALANT	ROW	QTY	A	POS.	PART NO.

THIS DRAWING IS A CONTROLLED DOCUMENT.		DWN S.CH IEN 18MAY05	TE Connectivity HARD TRAY ASSY FH 0.5BTB CONNECTOR 440POS REC 4H W/G-PLATE ON 2 ROW CAP			
DIMENSIONS: MM		CHK T.FUTATSUGI 18MAY05				
TOLERANCES UNLESS OTHERWISE SPECIFIED:		APVD W.KODAMA 18MAY05				
0 PLC ± 0.3 1 PLC ± 0.3 2 PLC ± 0.3 3 PLC ± 0.3 4 PLC ± 0.3 ANGLES ± 3°		NAME				
MATERIAL		PRODUCT SPEC 108-5560	SIZE	CAGE CODE	DRAWING NO	RESTRICTED TO
FINISH		APPLICATION SPEC	A3	00779	C-1827231	
CUSTOMER DRAWING			WEIGHT	SCALE 1:2	SHEET 1 OF 4	REV B1

4

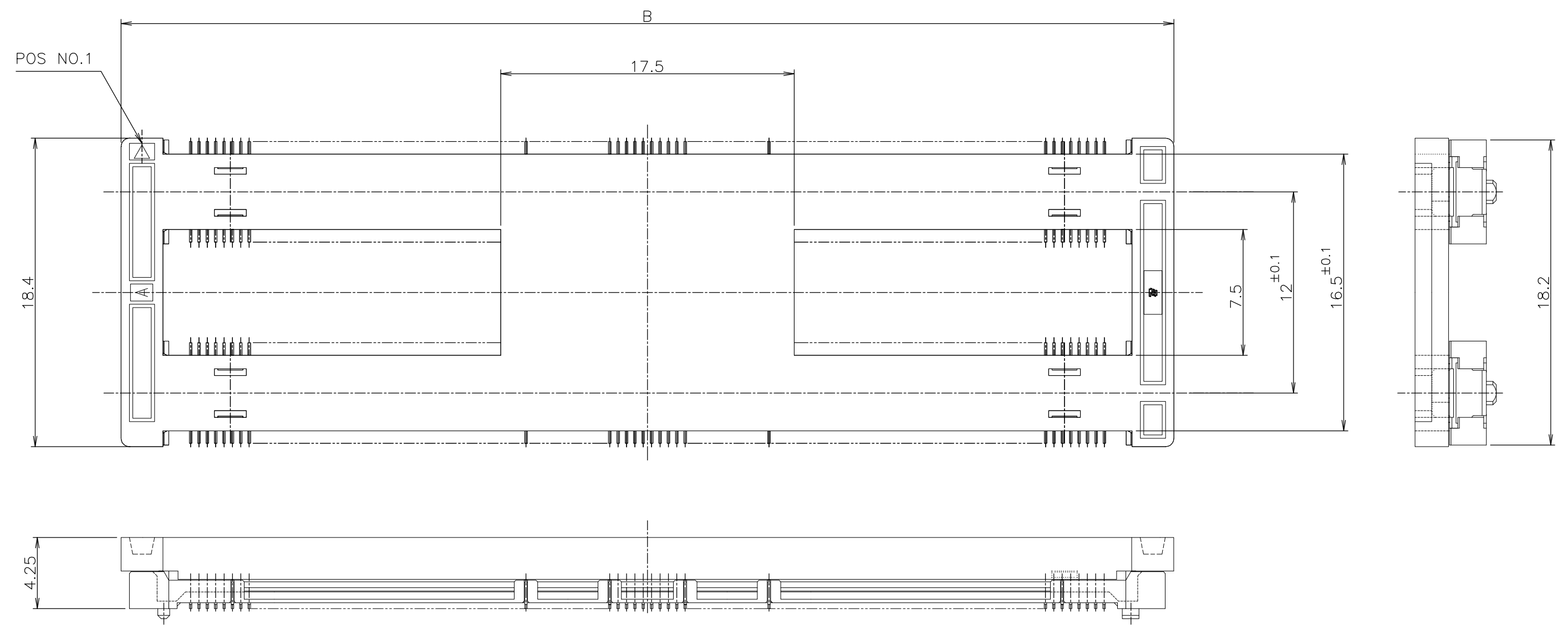
3

2

1

THIS DRAWING IS UNPUBLISHED. RELEASED FOR PUBLICATION ,2002.
 © COPYRIGHT 2002 By - ALL RIGHTS RESERVED.

LOC	DIST	REVISIONS					
J		P	LTR	DESCRIPTION	DATE	DWN	APVD
		-		SEE SHEET 1	-	-	-



NOTES

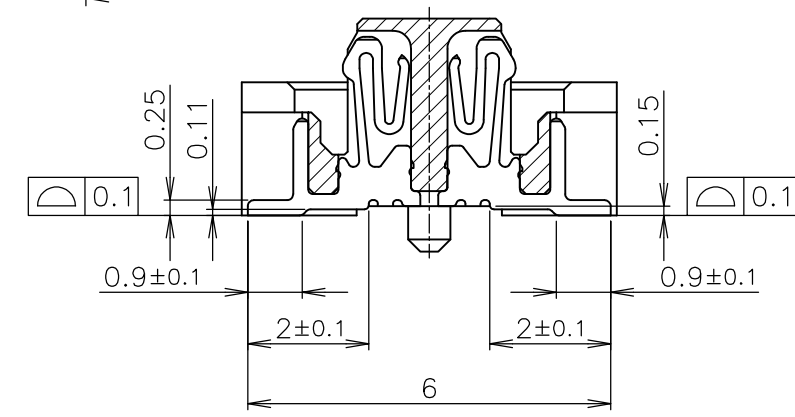
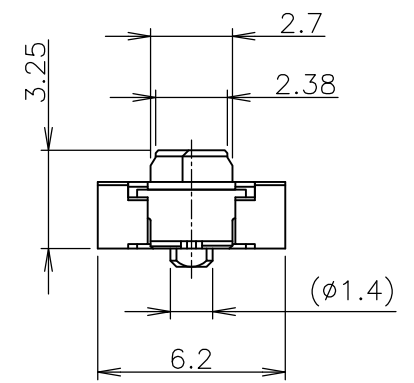
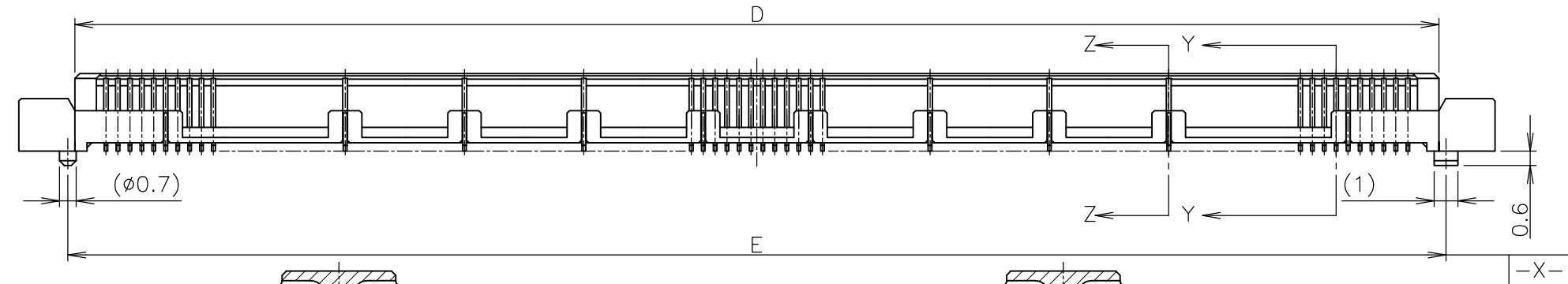
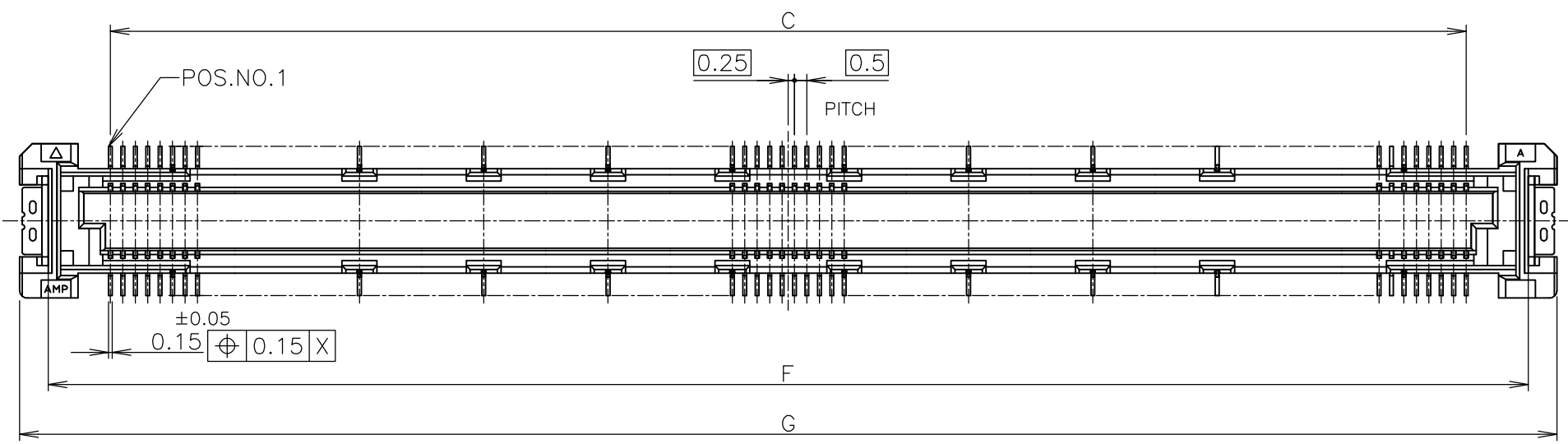
- △ MATERIAL ; HOUSING : HIGH TEMP THERMO PLASTIC UL94V-0
 CONTACT : COPPER ALLOY
 SOLDER PEG : COPPER ALLOY
- △ FINISH ; SIGNAL CONTACT : UNDER PL Ni
 0.0013mm MIN ALL OVER.
 CONTACT AREA
 0.0002mm MIN Au PL.
 SOLDERING AREA
 0.00005mm MIN Au PL.
- GROUND CONTACT : UNDER PL Ni
 0.0013mm MIN ALL OVER.
 CONTACT AREA
 0.0002mm MIN Au PL.
 SOLDERING AREA
 0.001mm MIN Sn PL.
- SOLDER PEG : 0.001mm MIN
 Sn PL. OVER
 0.0013mm MIN
 Ni PL ALL OVER.
- △ THIS POSITION IS GROUND CIRCUIT.

BLACK	62.8	440	3-1827231-6
CAP COLOR	B	POS	PART NO.

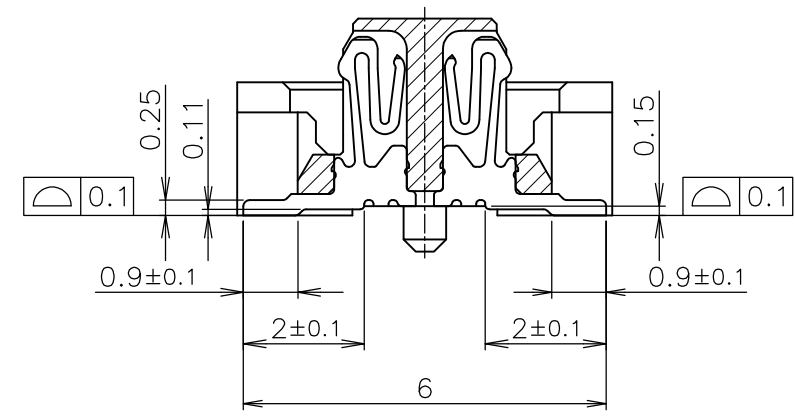
THIS DRAWING IS A CONTROLLED DOCUMENT.		DWN	TE Connectivity HARD TRAY ASSY FH 0.5BTB CONNECTOR 440POS REC 4H W/G-PLATE ON 2 ROW CAP	
DIMENSIONS: MM		CHK		
TOLERANCES UNLESS OTHERWISE SPECIFIED:		APVD		
0 PLC ± 0.3 1 PLC ± 0.3 2 PLC ± 0.3 3 PLC ± 0.3 4 PLC ± 0.3 ANGLES ± 3°		PRODUCT SPEC		
MATERIAL		FINISH	NAME	RESTRICTED TO
△ 1		△ 2	SIZE: A3 CAGE CODE: 00779 DRAWING NO: C-1827231	
CUSTOMER DRAWING			SCALE: 4:1	SHEET: 2 OF 4
			REV: B1	

THIS DRAWING IS UNPUBLISHED. RELEASED FOR PUBLICATION .2002.
 © COPYRIGHT 2002 By - ALL RIGHTS RESERVED.

LOC	DIST	REVISIONS					
J		P	LTR	DESCRIPTION	DATE	DWN	APVD
		-		SEE SHEET 1	-	-	-



SECT. Z-Z
(GROUND POSITION)
(SCALE 8:1)



SECT. Y-Y
(SIGNAL POSITION)
(SCALE 8:1)

61.8	59.5	57.7	57.1	54.5	220	BLACK	3-1827231-6
G	F	E	D	C	POS.	HSG COLOR	PART NO.

THIS DRAWING IS A CONTROLLED DOCUMENT.		DWN	TE Connectivity NAME HARD TRAY ASSY FH 0.5BTB CONNECTOR 440POS REC 4H W/G-PLATE ON 2 ROW CAP			
DIMENSIONS: MM		CHK				
TOLERANCES UNLESS OTHERWISE SPECIFIED: 0 PLC ± 0.3 1 PLC ± 0.3 2 PLC ± 0.3 3 PLC ± 0.3 4 PLC ± 0.3 ANGLES ± 3°		APVD				
		PRODUCT SPEC				
MATERIAL		APPLIC. SPEC	SIZE	CAGE CODE	DRAWING NO	RESTRICTED TO
		WEIGHT	A3	00779	C-1827231	
CUSTOMER DRAWING			SCALE	SHEET	REV	
			4:1	3 OF 4	B1	

4

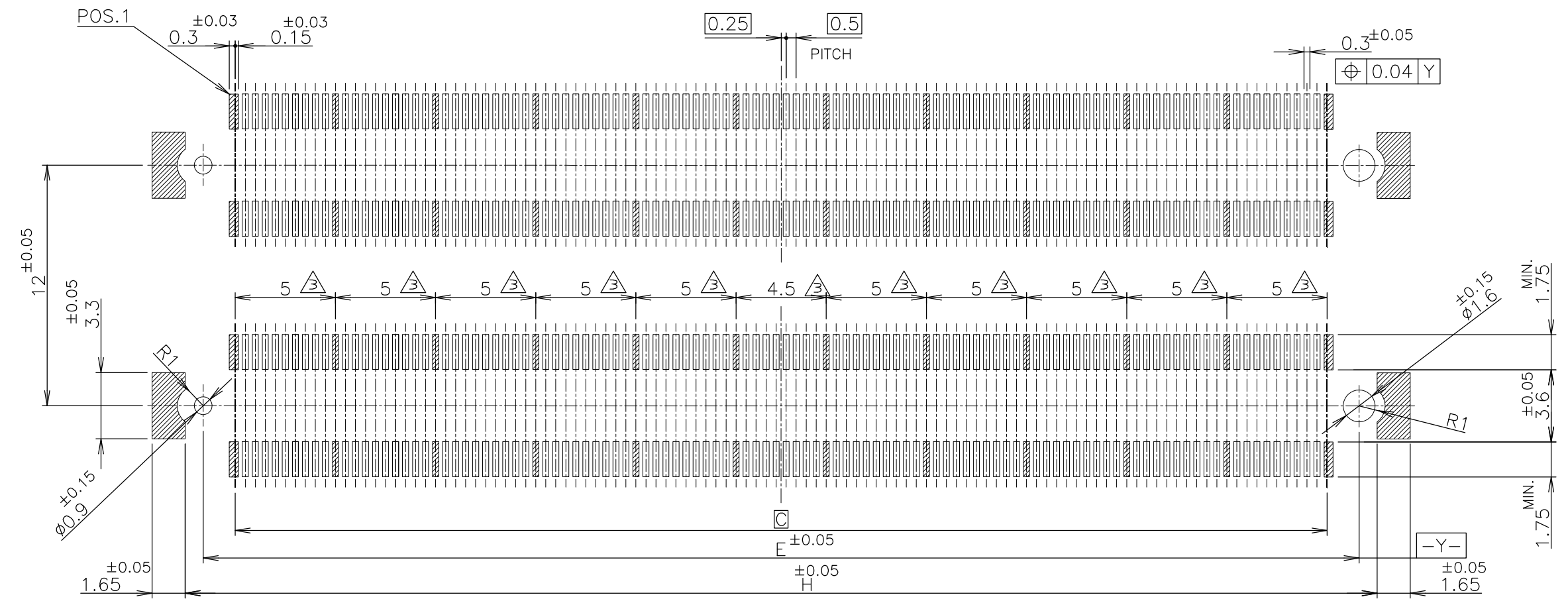
3

2

1

THIS DRAWING IS UNPUBLISHED. RELEASED FOR PUBLICATION ,2002.
 © COPYRIGHT 2002 By - ALL RIGHTS RESERVED.

LOC	DIST	REVISIONS					
J		P	LTR	DESCRIPTION	DATE	DWN	APVD
		-		SEE SHEET 1	-	-	-



REFERENCE P.C.BOARD LAYOUT

59.5	440	3-1827231-6
H	POS	PART NO.

THIS DRAWING IS A CONTROLLED DOCUMENT.		DWN	TE Connectivity HARD TRAY ASSY FH 0.5BTB CONNECTOR 440POS REC 4H W/G-PLATE ON 2 ROW CAP	
DIMENSIONS: MM		CHK		
TOLERANCES UNLESS OTHERWISE SPECIFIED:		APVD		
0 PLC ± 0.3 1 PLC ± 0.3 2 PLC ± 0.3 3 PLC ± 0.3 4 PLC ± 0.3 ANGLES ± 3°		PRODUCT SPEC		
MATERIAL		FINISH	APPLICATION SPEC	SIZE: A3 CAGE CODE: 00779 DRAWING NO: C-1827231
1 2		WEIGHT	RESTRICTED TO	SCALE: 4:1 SHEET: 4 OF 4 REV: B1
CUSTOMER DRAWING				