



# XC-Series

## Cordless Hydraulic Pumps

Extreme  
Performance

Cordless  
Convenience



# XC-Series, Cordless Hydraulic Pumps

▼ Shown: XC-1201ME



- Lightweight design with integrated handle and carrying strap for portability
- Bladder reservoir prevents contamination and allows pump usage in any position
- Powerful 0,37 kW motor and 28 Volt Lithium-Ion battery deliver exceptional speed and run time
- High-strength fiberglass reinforced composite shroud for superior durability in demanding job site environments
- Cordless technology eliminates tripping hazards found in other electric or air powered pumps
- Available in both single- and double-acting valve configurations.



## Performance of a Powered Pump

## Portability of a Hand Pump



### GA45GC Gauge Adaptor Assembly

Protect yourself from system overloading by simply ordering one part number for a pre-assembled gauge, adaptor block and coupler.



Battery packs contain no cadmium, so they are environmentally friendly. Enerpac encourages recycling.



### 28-Volt Battery

The XC-28V with Lithium-Ion technology for maximum battery performance.



### Battery Charger

1-hour quick charger.

Model Nr.	Voltage
XC-115VC	115 VAC
XC-230VC	230 VAC



### 3/8" Swivel Connector

Customer installed 360 degree swivel coupler for optimal orientation of the hydraulic hose.

Order Model Number <sup>1)</sup> **XSC1**

<sup>1)</sup> Accessories must be ordered separately.

◀ Power and simplicity for the toughest jobs.



## XC-Series Cordless Hydraulic Pumps

The XC-Series cordless pump is ideal for jobs that require a combination of portability, speed, and safety. These cordless pumps are perfect for remote locations without access to power, but also indoors where trip hazards, ergonomics or size is a concern.

The XC-Series cordless pump is compatible with all Enerpac hydraulic tools and small to medium sized cylinders.

The XC-Series cordless pump is CSA and CE compliant.

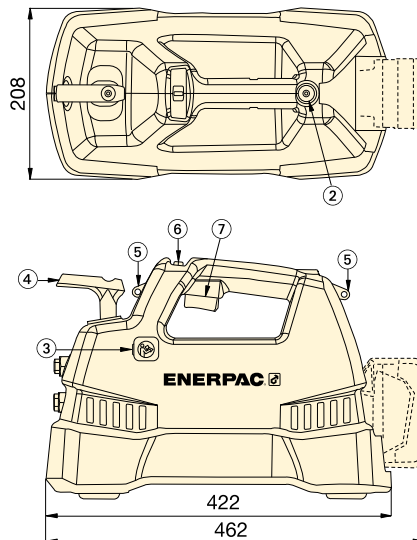
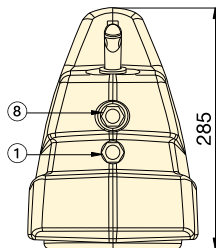
## The Lithium-Ion battery provides superior run time:

- 250 cuts of 10 mm reinforcing bar using a WHC-750 Cutter
- 112 lifts with a WR-5 Spreader
- 45 splits on M27 - 8.8 nuts using a NC-3241 Nut Cutter
- 30 times lifting with a RC-104 cylinder (10 ton, 100 mm stroke).

Note: Actual number of cycles per charge will vary depending on condition of battery, tool and ambient conditions. Battery life with double-acting tools is approximately 75% of that for comparable, single-acting tools.



- ① Outlet "Advance" Port 3/8"-18 NPTF
- ② Oil Fill (must use funnel)
- ③ User Adjustable Relief Valve Access Port
- ④ Directional Control Valve
- ⑤ Shoulder Strap Connection Points
- ⑥ Safety Lock Feature
- ⑦ On/Off Switch
- ⑧ Inlet "Retract" Port (double-acting models only)



### SELECTION CHART

Useable Oil Capacity (litres)	Model Number	Output Flow Rate (l/min)			Valve Function **	Charger Voltage (VAC)	Weight (kg)
		No Load	140 bar	700 bar			
1,0	<b>XC-1201MB</b>	2,0	0,50	0,25	3-way, 2-pos.	115	10
2,0	<b>XC-1202MB</b>	2,0	0,50	0,25	3-way, 2-pos.	115	11
1,0	<b>XC-1201ME</b>	2,0	0,50	0,25	3-way, 2-pos.	230	10
2,0	<b>XC-1202ME</b>	2,0	0,50	0,25	3-way, 2-pos.	230	11
1,0	<b>XC-1201M *</b>	2,0	0,50	0,25	3-way, 2-pos.	-	10
2,0	<b>XC-1202M *</b>	2,0	0,50	0,25	3-way, 2-pos.	-	11
1,0	<b>XC-1401MB</b>	2,0	0,50	0,25	4-way, 3-pos.	115	10
2,0	<b>XC-1402MB</b>	2,0	0,50	0,25	4-way, 3-pos.	115	11
1,0	<b>XC-1401ME</b>	2,0	0,50	0,25	4-way, 3-pos.	230	10
2,0	<b>XC-1402ME</b>	2,0	0,50	0,25	4-way, 3-pos.	230	11
1,0	<b>XC-1401M *</b>	2,0	0,50	0,25	4-way, 3-pos.	-	10
2,0	<b>XC-1402M *</b>	2,0	0,50	0,25	4-way, 3-pos.	-	11

\* Batteries and charger not included.

\*\* 3/2-valves for single-acting cylinders or tools,  
4/3 valves for double-acting cylinders or tools.

## XC Series



Reservoir Capacity:

**1,0 - 2,0 litres**

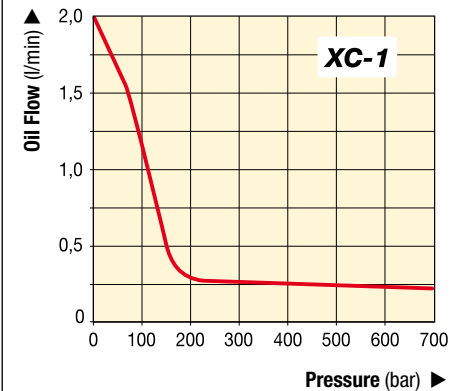
Flow at Rated Pressure:

**0,25 l/min**

Maximum Operating Pressure:

**700 bar**

### OIL FLOW vs. PRESSURE



▼ Take the battery pump anywhere without power cords or air hoses.



# XC-Series, Cordless Hydraulic Pumps



## The Industrial Tools Line

### Cylinders and Lifting Products

- General Purpose
- Aluminium Lightweight
- Pancake
- Flat-Jac®, Low Height
- Pull
- Hollow Plunger
- Precision
- Long Stroke
- High Tonnage
- POWR'RISER® Lifting Jacks
- Jacks
- Cylinder-Pump Sets

### Pumps

- Manual
- Cordless & Electric Driven
- Compressed Air Driven
- Petrol Driven

### System Components

- Hoses, Couplers, Oil
- Gauges, Adaptors
- Manifolds, Fittings

### Valves

- 3-and 4-Way Directional
- Pressure and Flow Control

### Presses

- Bench, Workshop, Roll Frame
- Arbor and C-Clamps
- Tension Meters, Load Cells

### Pullers

- Master Pullers Sets
- Multi Purpose Puller Sets
- Posi Lock® Pullers

### Tools

- Maintenance Sets
- Punches
- Machine Lifts
- Lifting Wedge
- Load Skates
- Cutters
- Pipe Benders
- Wedgie, Spreaders

### Bolting Tools

- Multipliers
- Torque Wrenches
- Impact Sockets
- Bolt Tensioners
- Wrench and Tensioner Pumps
- Flange Alignment Tools
- Flange Facing Tool
- Nut Splitters

### Integrated Solutions

- Synchronized Lifting Systems
- Jack-Up Systems
- Bridge Launching Systems
- Synchronized Hoisting Systems
- Hydraulic Gantries
- Heavy Lifting Strand Jacks Systems
- Skidding Systems
- Self-Erecting Towers
- Self Propelled Modular Transporter
- Chain Pulling Systems

## Enerpac Worldwide Locations

For a complete list of addresses see:  
[www.enerpac.com/en-us/enerpac-locations](http://www.enerpac.com/en-us/enerpac-locations)

## About Enerpac

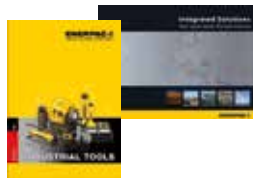
Enerpac is the leading global provider of high-pressure hydraulic tools and solutions with a broad range of products, local expertise and worldwide distribution network. With a proven track record in a wide range of markets, Enerpac designs and manufactures high-quality tools and solutions for all industrial applications.

Enerpac has gained unique experience in delivering hydraulic solutions for the controlled movement and positioning of heavy objects. Enerpac supports your business by offering the right solutions and service to help you get your work done efficiently and safely.



## [www.enerpac.com](http://www.enerpac.com) for latest Enerpac information

- New products
- Trade shows
- Manuals (instruction and repair sheets)
- Nearest Distributors and Service Centers
- Enerpac products in action.



## Enerpac catalogues and brochures to meet your needs

To obtain your copy just give us a call, or visit [enerpac.com](http://enerpac.com)



## Enerpac Bolting Vans

- Demonstrate Enerpac Bolting Tools on your premises
- Calibrate all Bolting Tool brands
- Training for the safe and efficient use of Bolting Tools.



## Enerpac Academy

Enerpac Academy is our in-house training center, set up exclusively for Enerpac business partners, Enerpac users and Enerpac employees: training programs ranging from tool expertise, repairs and maintenance, to safe operation of high-pressure hydraulic tools.

Your Enerpac Distributor: