

CHAMP

TE Internal #: 5554145-4

TE Internal Description: RCPT ASSY,36 POS,V/M,SHLD,B/L

[View on TE.com >](#)

Connectors > D-Shaped Connectors

Number of Positions: **36**Connector & Housing Type: **Receptacle**Connector System: **Cable-to-Board**Connector Mounting Type: **Panel Mount**Centerline (Pitch): **2.16 mm [.085 in]****Features****Product Type Features**

Connector & Housing Type	Receptacle
Connector System	Cable-to-Board
Connector & Contact Terminates To	Printed Circuit Board

Configuration Features

Number of Positions	36
Number of Rows	2
PCB Mount Orientation	Vertical

Body Features

Shield Plating Material	Nickel
Shield Material	Die Cast Metal
Primary Product Color	Black
Connector Profile	Standard

Contact Features

	30 μ m
Contact Underplating Material	Palladium Nickel
Contact Mating Area Plating Material	Gold (Au)
Contact Base Material	Copper Alloy
PCB Contact Termination Area Plating Material	Tin
Contact Options	Installed

Termination Features

Rectangular Termination Post & Tail Width	.5 mm[.019 in]
Rectangular Termination Post & Tail Thickness	.25 mm[.01 in]
Termination Method to PCB	Through Hole - Solder
Termination Post & Tail Length	5.46 mm[.215 in]

Mechanical Attachment

	.126 in
Panel Attachment Style	Rear Mount
Connector Mounting Type	Panel Mount
PCB Mount Retention	With
PCB Mount Retention Type	Mounting Hole
Mating Retention	With
Mating Retention Type	Bail Lock

Housing Features

Housing Material	Polyester
Centerline (Pitch)	2.16 mm[.085 in]

Dimensions

Row-to-Row Spacing	4.3 mm[.169 in]
--------------------	-----------------

Usage Conditions

Operating Temperature Range	-40 – 105 °C[-40 – 221 °F]
-----------------------------	----------------------------

Operation/Application

Shielded	Yes
Circuit Application	Signal

Packaging Features

Packaging Quantity	60
Packaging Method	Tray

Product Compliance

[For compliance documentation, visit the product page on TE.com>](#)

EU RoHS Directive 2011/65/EU	Compliant
EU ELV Directive 2000/53/EC	Compliant
China RoHS 2 Directive MIIT Order No 32, 2016	有害物质含量符合标准要求 No Restricted

<p>EU REACH Regulation (EC) No. 1907/2006</p>	<p>Substance(s) Above Threshold</p> <p>Current ECHA Candidate List: JUNE 2025 (250)</p> <p>Candidate List Declared Against: JAN 2022 (223)</p> <p>Does not contain REACH SVHC</p>
<p>Halogen Content</p>	<p>Not Low Halogen - contains Br or Cl > 900 ppm.</p>
<p>Solder Process Capability</p>	<p>Wave solder capable to 265°C</p>

Product Compliance Disclaimer

This information is provided based on reasonable inquiry of our suppliers and represents our current actual knowledge based on the information they provided. This information is subject to change. The part numbers that TE has identified as EU RoHS compliant have a maximum concentration of 0.1% by weight in homogenous materials for lead, hexavalent chromium, mercury, PBB, PBDE, DBP, BBP, DEHP, DIBP, and 0.01% for cadmium, or qualify for an exemption to these limits as defined in the Annexes of Directive 2011/65/EU (RoHS2). Finished electrical and electronic equipment products will be CE marked as required by Directive 2011/65/EU. Components may not be CE marked. Additionally, the part numbers that TE has identified as EU ELV compliant have a maximum concentration of 0.1% by weight in homogenous materials for lead, hexavalent chromium, and mercury, and 0.01% for cadmium, or qualify for an exemption to these limits as defined in the Annexes of Directive 2000/53/EC (ELV). Regarding the REACH Regulation, the information TE provides on SVHC in articles for this part number is based on the latest European Chemicals Agency (ECHA) 'Guidance on requirements for substances in articles' posted at this URL: <https://echa.europa.eu/guidance-documents/guidance-on-reach>


Customers Also Bought




TE Part #5-103169-6
16 MODII HDR DRST SHRD .100CL



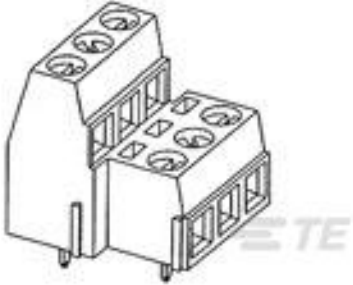
TE Part #5-146253-4
08 MODII HDR DRST B/A .100CL LF



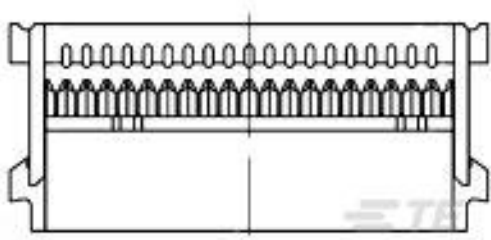
TE Part #796692-2
TERMI-BLOK PCB MOUNT 1&2 2P.5



TE Part #796692-3
TERMI-BLOK PCB MOUNT 1&2 3P.5



TE Part #1-796692-2
TERMI-BLOK PCB MOUNT 1&2 12P.5



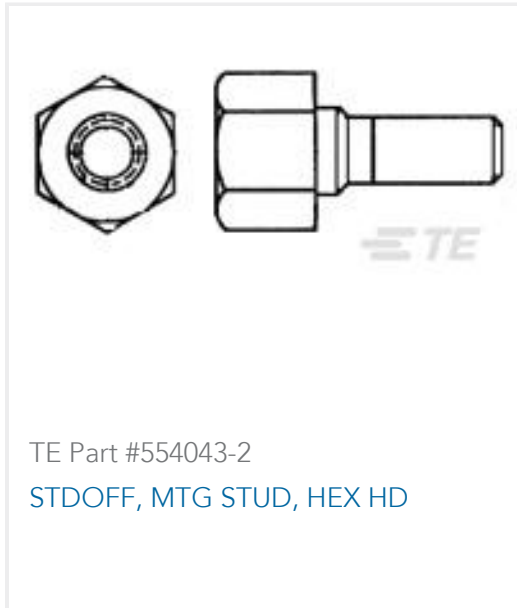
TE Part #1-1658526-8
609-3430LF FEM SOCKET,LEAD FREE



TE Part #CAT-AM74-UN384H
AMP-LATCH UNIVERSAL HEADERS



TE Part #5554501-1
RCPT ASSY,24 POS,V/M,SCR LK



Documents

CAD Files

[3D PDF](#)

3D

Customer View Model

[ENG_CVM_CVM_5554145-4_A.2d_dxf.zip](#)

English

Customer View Model

[ENG_CVM_CVM_5554145-4_A.3d_igs.zip](#)

English

Customer View Model

[ENG_CVM_CVM_5554145-4_A.3d_stp.zip](#)

English

By downloading the CAD file I accept and agree to the [Terms and Conditions](#) of use.