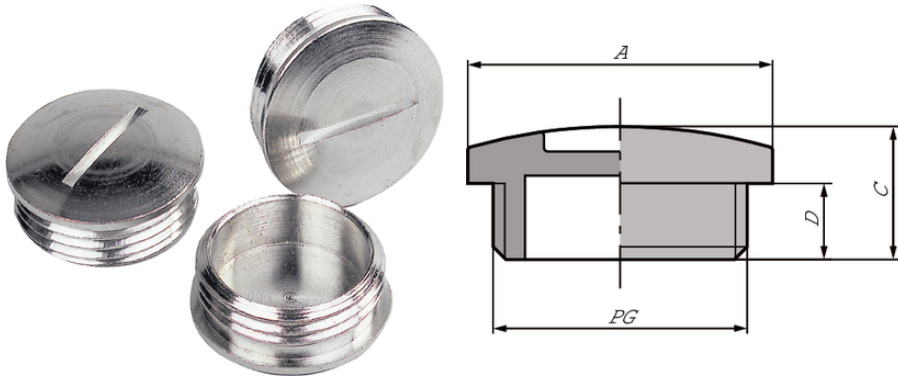


SKINDICHT® BL

SKINDICHT® BL, brass blind plug with PG connection thread, assembling with screwdriver



Robust

Benefits

For closing pre-threaded holes
Assembling with screwdriver

Application range

Machine and equipment manufacturing
Electric motor manufacturing

Product Make-up

PG connection thread

Technical Data

Classification ETIM 5:

ETIM 5.0 Class-ID: EC000032
ETIM 5.0 Class-Description: Plug for cable screw gland

Classification ETIM 6:

ETIM 6.0 Class-ID: EC000032
ETIM 6.0 Class-Description: Plug for cable screw gland

Material:

Body: nickel-plated brass
O-ring: NBR

Protection rating:

IP 54
IP 68 (with O-Ring)

Temperature range:

With O-ring: -30°C to +100°C
Without O-ring: -60°C to +200°C

Note

Photographs and graphics are not to scale and do not represent detailed images of the respective products.
Prices are net prices without VAT and surcharges. Sale to business customers only.

Last Update (22.11.2018)

©2018 Lapp Group - Technical changes reserved

Product Management www.lappkabel.de

You can find the current technical data in the corresponding data sheet.

PN 0456 / 02_03.16

SKINDICHT® BL

Article number	Article designation / size
SKINDICHT® BL	
52002680	PG 7
52003390	PG 9
52003400	PG 11
52003410	PG 13,5
52003420	PG 16
52003430	PG 21
52003440	PG 29
52003450	PG 36
52003460	PG 42
52002790	PG 48
SKINDICHT® BL with O-ring	
54001610	PG 7
54000071	PG 9
54000040	PG 11
54001630	PG 13,5
54001640	PG 16
54001660	PG 21
54001620	PG 29
54001650	PG 36
54001670	PG 42
54001680	PG 48

Last Update (22.11.2018)

©2018 Lapp Group - Technical changes reserved

Product Management www.lappkabel.de

You can find the current technical data in the corresponding data sheet.

PN 0456 / 02_03.16