

BKR2400

2.4 GHz Dipole Antenna

Features

- ◆ Groundplane Independent
- ◆ Covers 2.4 GHz band
- ◆ Locks in three positions for flexibility
- ◆ Ideal for fixed and mobile terminals

Specifications

Radiating element	1/2 Wave Element
Frequency range	2.4 GHz
Peak gain	2.0 dBi
Polarisation	Linear
Return loss	-13 dB
Power rating	10W
Connector	SMA-Male
Dimensions	139 x 13mm

Popular Ordering Options

FBKR35068-SM-KR	BKR2400 with SMA-Male connector
FBKR35068-RS-KR	BKR2400 with RP-SMA connector

www.ead-ltd.com

Specifications subject to change without notice.

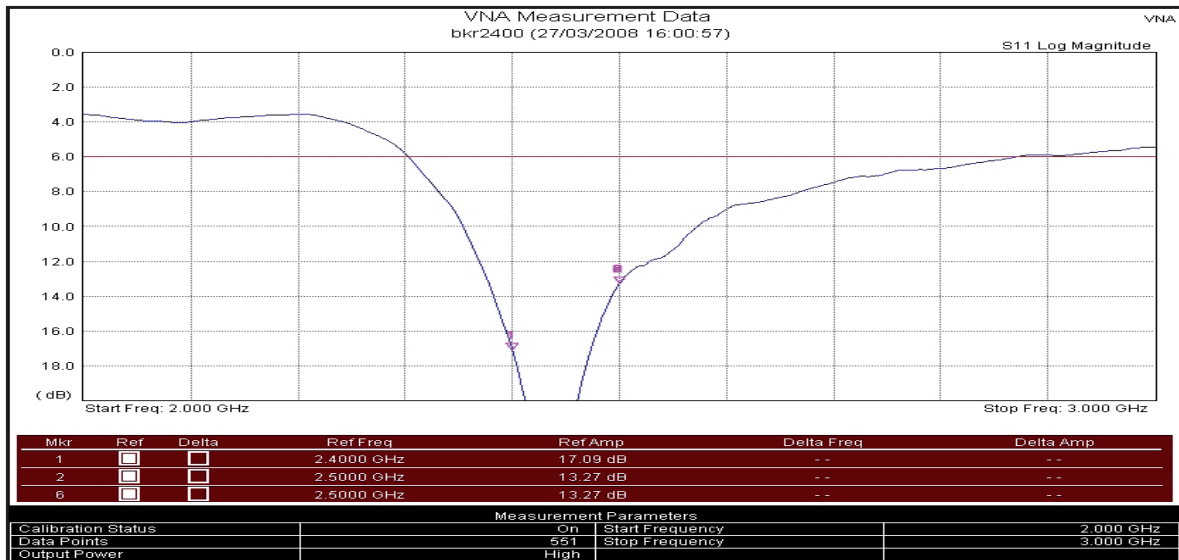
5 Little Balmer
Buckingham Industrial Park
Buckingham
MK18 1TF
UK

Tel: +44 (0)1280 825044
Fax: +44 (0)1280 817179
Email: sales@ead-ltd.com
Web: www.ead-ltd.com

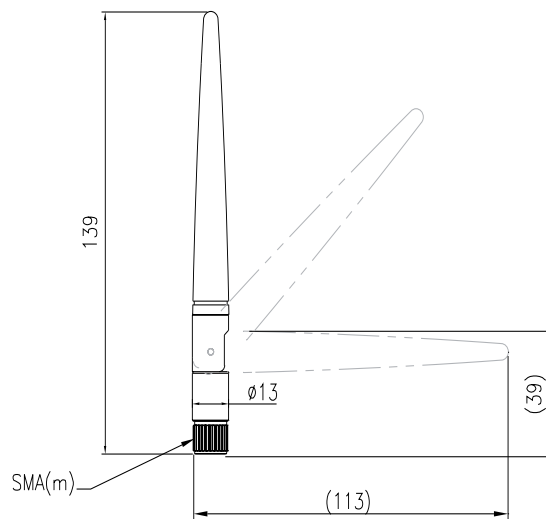
EAD 
embedded antenna design ltd

BKR2400 | 2.4 GHz Dipole Antenna

Return Loss



Outline Drawing



Specifications subject to change without notice.

5 Little Balmer
Buckingham Industrial Park
Buckingham
MK18 1TF
UK

Tel: +44 (0)1280 824055
Fax: +44 (0)1280 817179
Email: sales@ead-ltd.com
Web: www.ead-ltd.com