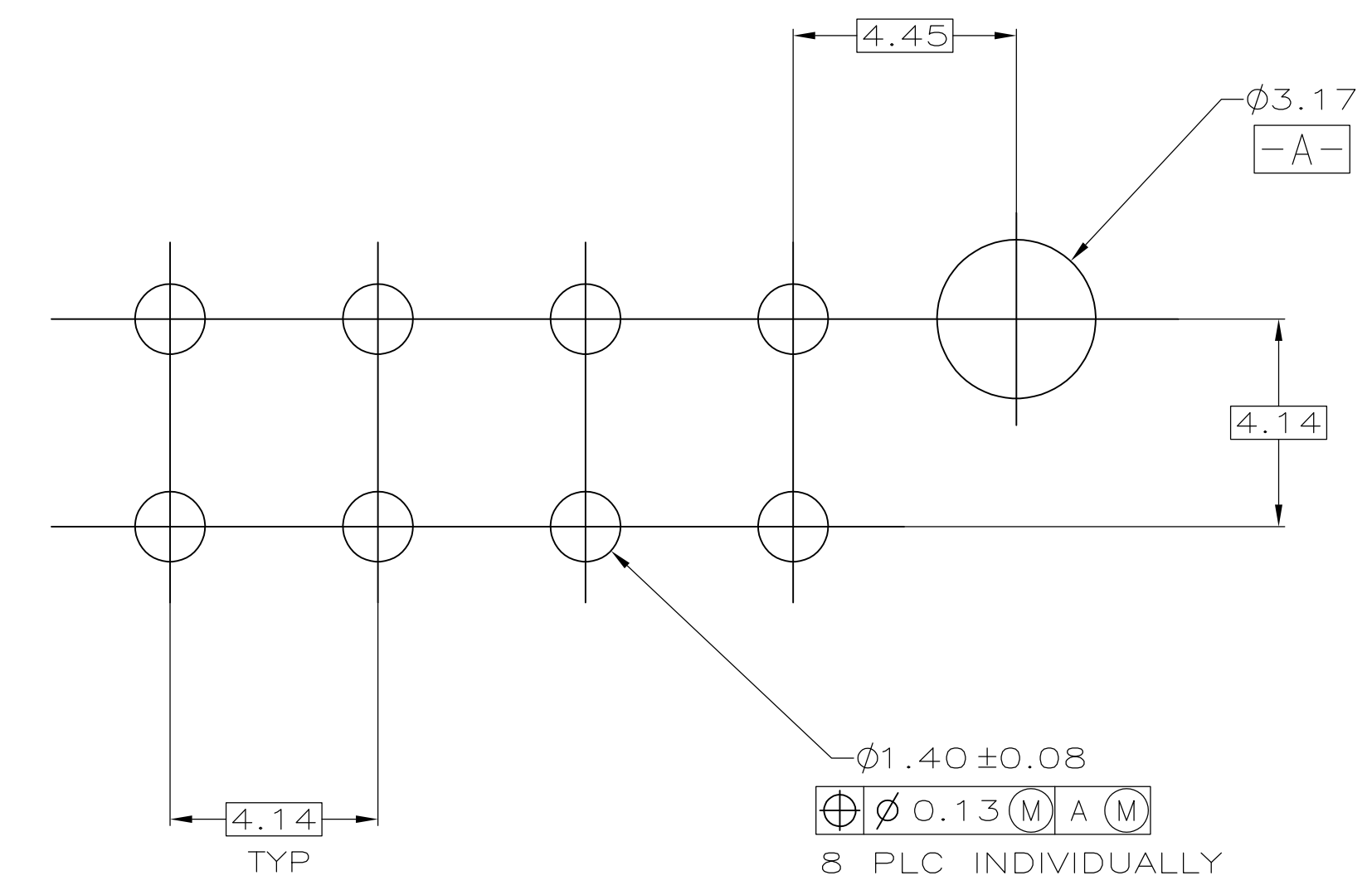
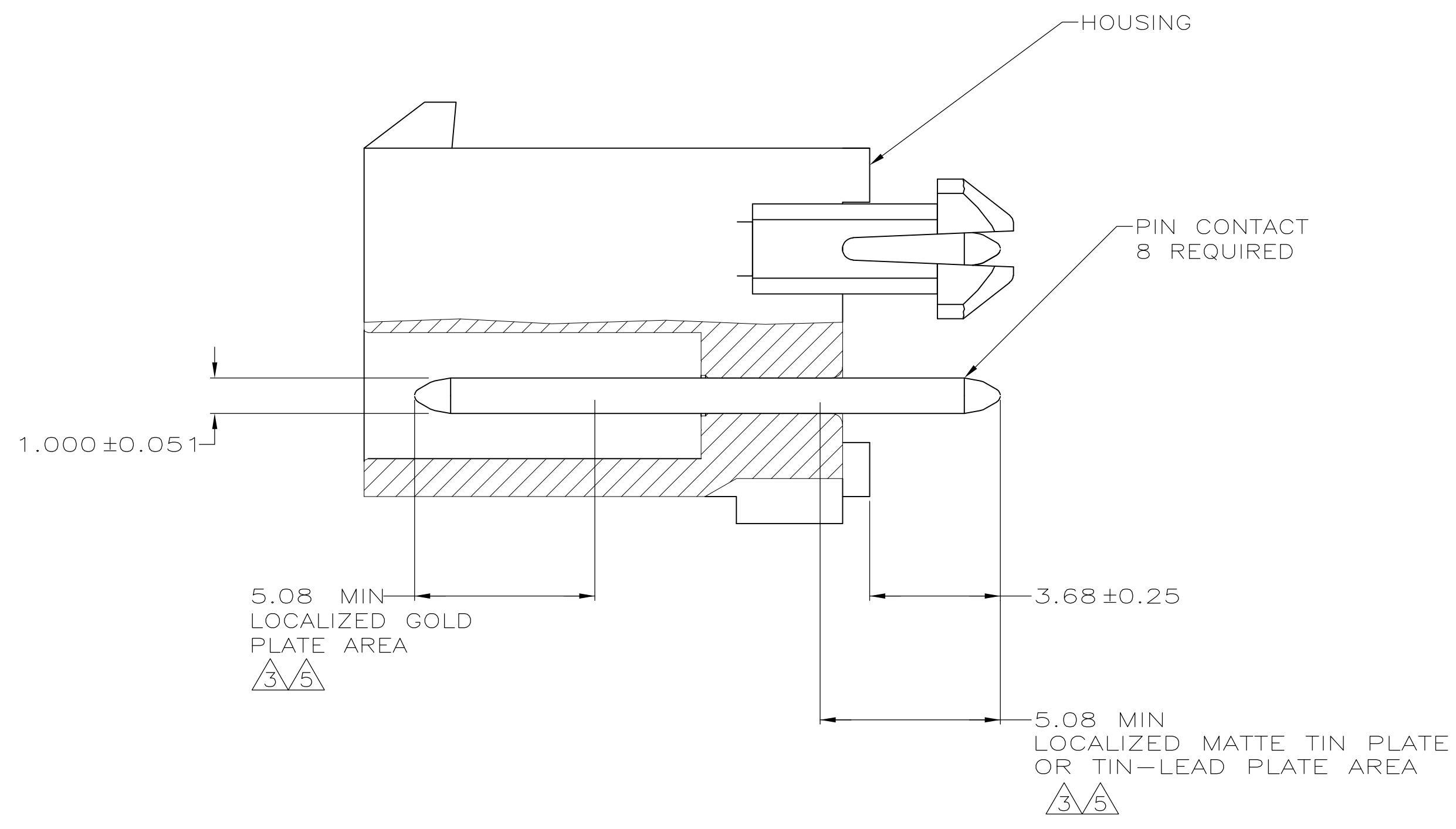
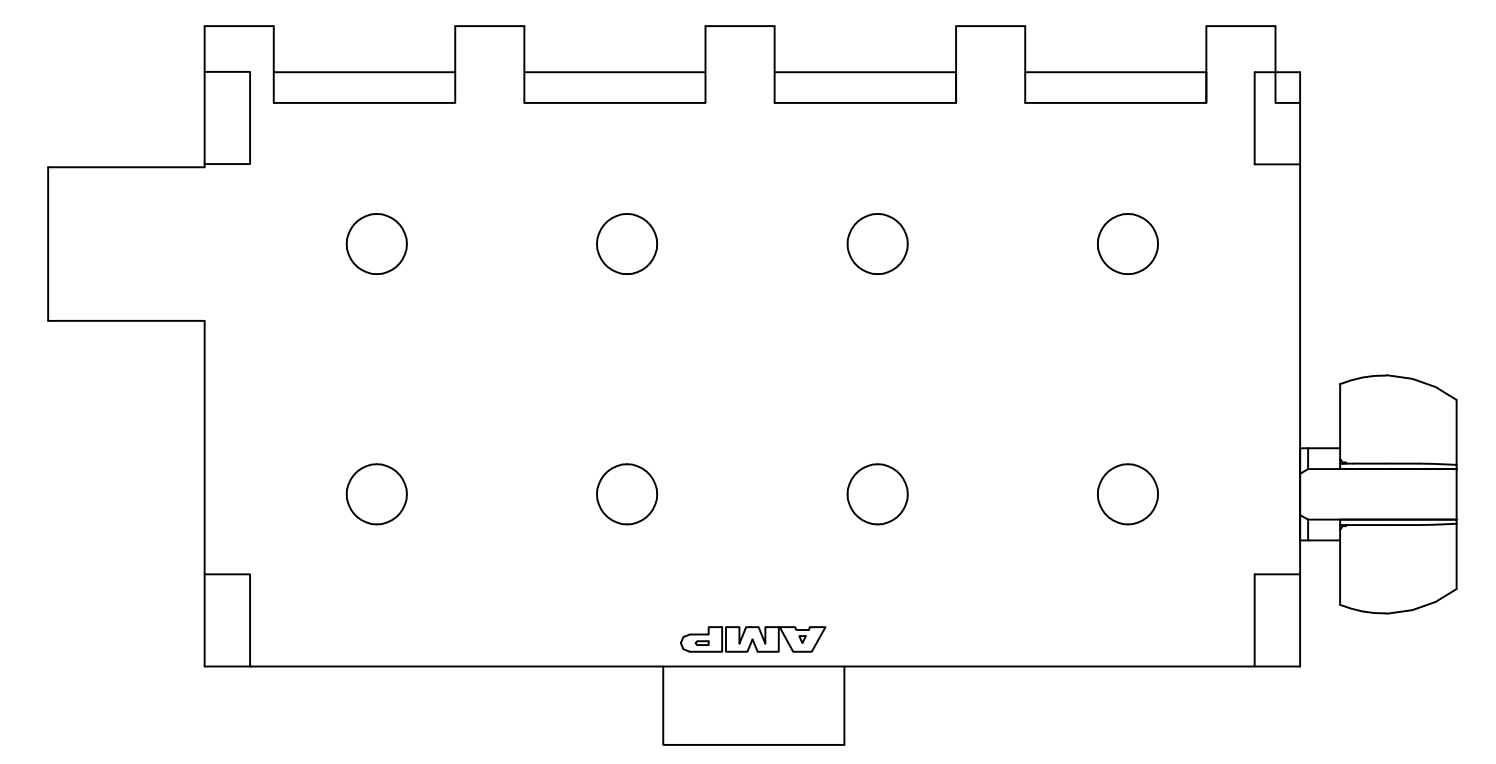
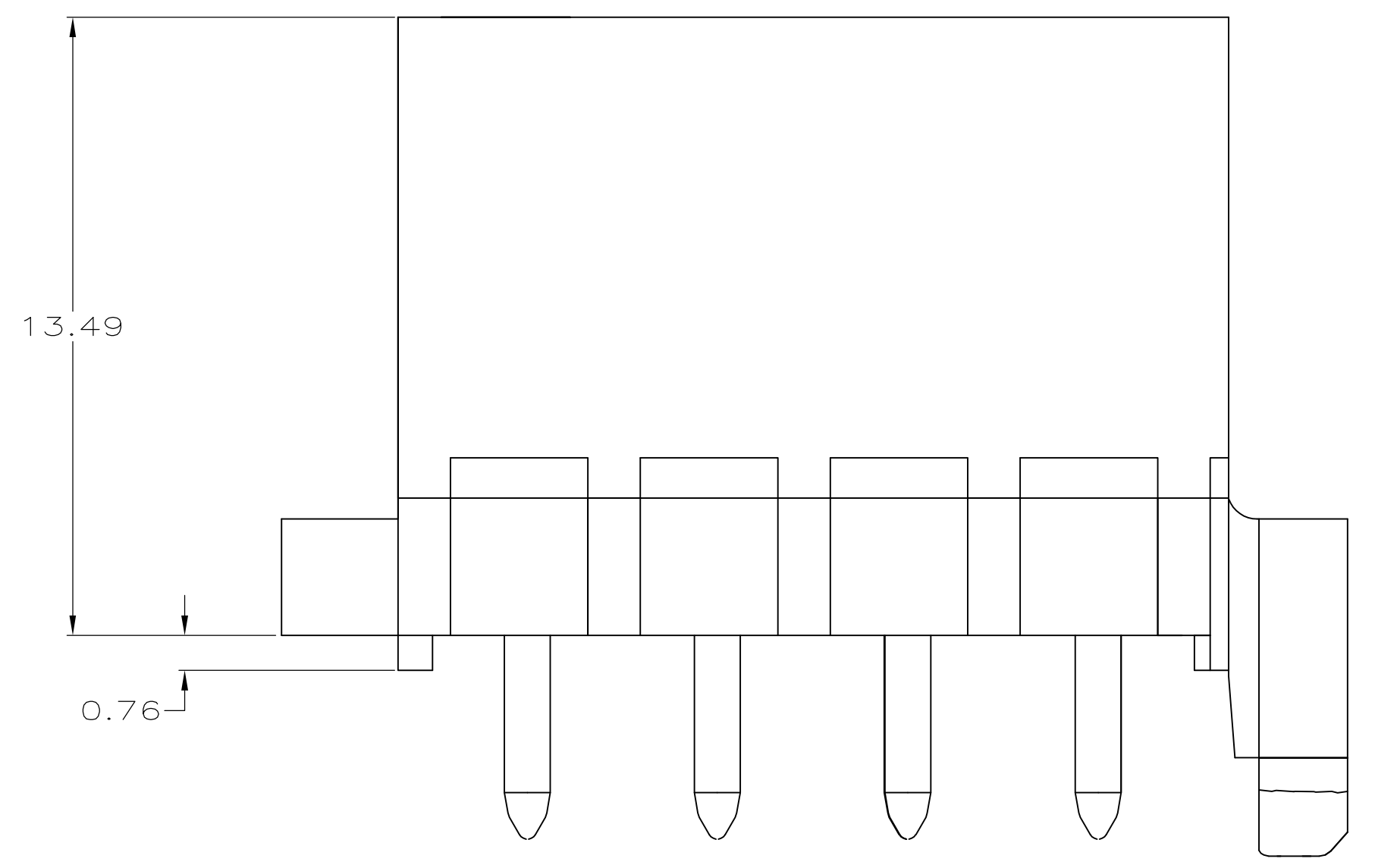
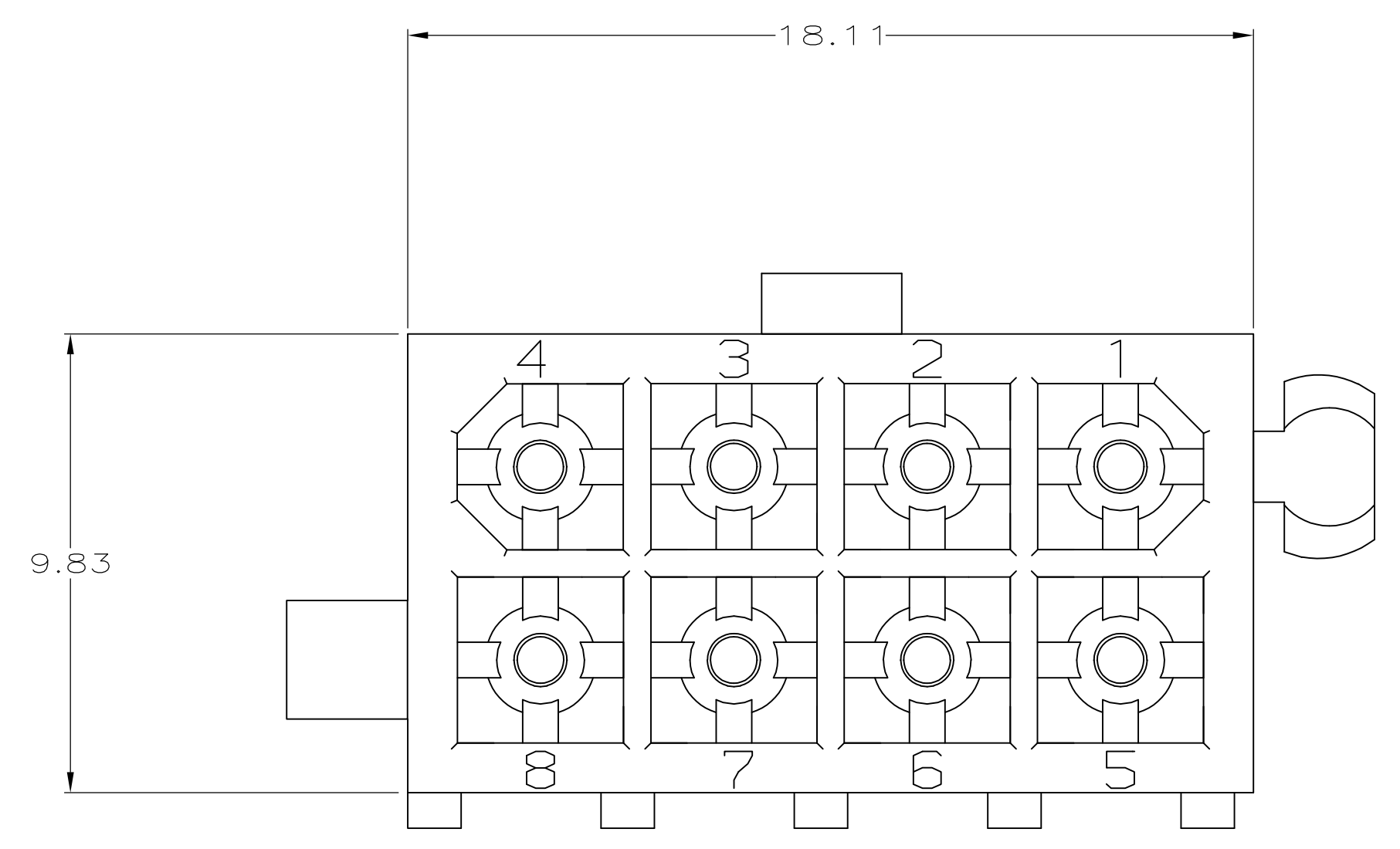


LOC		DIST		REVISIONS			
CM	0	REV	DESCRIPTION	DATE	DWN	APVD	
C1			REVISED PER ECO-11-004820	11MAR11	RK	HMR	



RECOMMENDED MOUNTING HOLE PATTERN FOR 1.57 THICK P.C. BOARD

- PINS TO COMPLY WITH AMP SOLDERABILITY SPEC. 109-11-3.
- 0.00381 MIN MATTE TIN LEAD PLATE OVER 0.00127 MIN NICKEL.
- 0.00076 MIN GOLD PLATE IN THE LOCALIZED PLATE AREA, 0.00381 MATTE TIN LEAD IN THE LOCALIZED PLATE AREA, BOTH OVER 0.00127 MIN NICKEL.
- 0.00381 MIN MATTE TIN PLATE OVER 0.00127 MIN NICKEL.
- 0.00076 MIN GOLD PLATE IN THE LOCALIZED PLATE AREA, 0.00381 MATTE TIN IN THE LOCALIZED PLATE AREA, BOTH OVER 0.00127 MIN NICKEL.

MATERIAL	FINISH	HOUSING MATERIAL AND COLOR	PART NUMBER
BRASS, GOLD		NYLON, 94V-0, WHITE	1-794073-1
BRASS, TIN		NYLON, 94V-0, WHITE	1-794073-0
BRASS, GOLD		NYLON, 94V-0, WHITE	794073-2
BRASS, TIN LEAD		NYLON, 94V-0, WHITE	794073-1

THIS DRAWING IS A CONTROLLED DOCUMENT.

DIMENSIONS: mm	TOLERANCES UNLESS OTHERWISE SPECIFIED:	DIN K WHITAKER 6-12-95	APVD R SWING 6-12-95	NAME
0. PLC ± -	1. PLC ± -	CHK R SWING 6-12-95	APVD R ORSTAD 6-13-95	PRODUCT SPEC
2. PLC ± 0.13	3. PLC ± -			APPLICATION SPEC
4. PLC ± -	ANGLES ± -			SIZE
				WEIGHT
MATERIAL SEE TABLE	FINISH SEE TABLE	WEIGHT	SCALE	RESTRICTED TO
			8:1	

STE TE Connectivity

HEADER ASSEMBLY, CLOSED BOTTOM, 8 CIRCUIT, DOUBLE ROW VERTICAL, MINI-UNIVERSAL MATE-N-LOK

SIZE: A1 CAGE CODE: 00779 DRAWING NO: 794073

CUSTOMER DRAWING SHEET 1 OF 1 REV C1