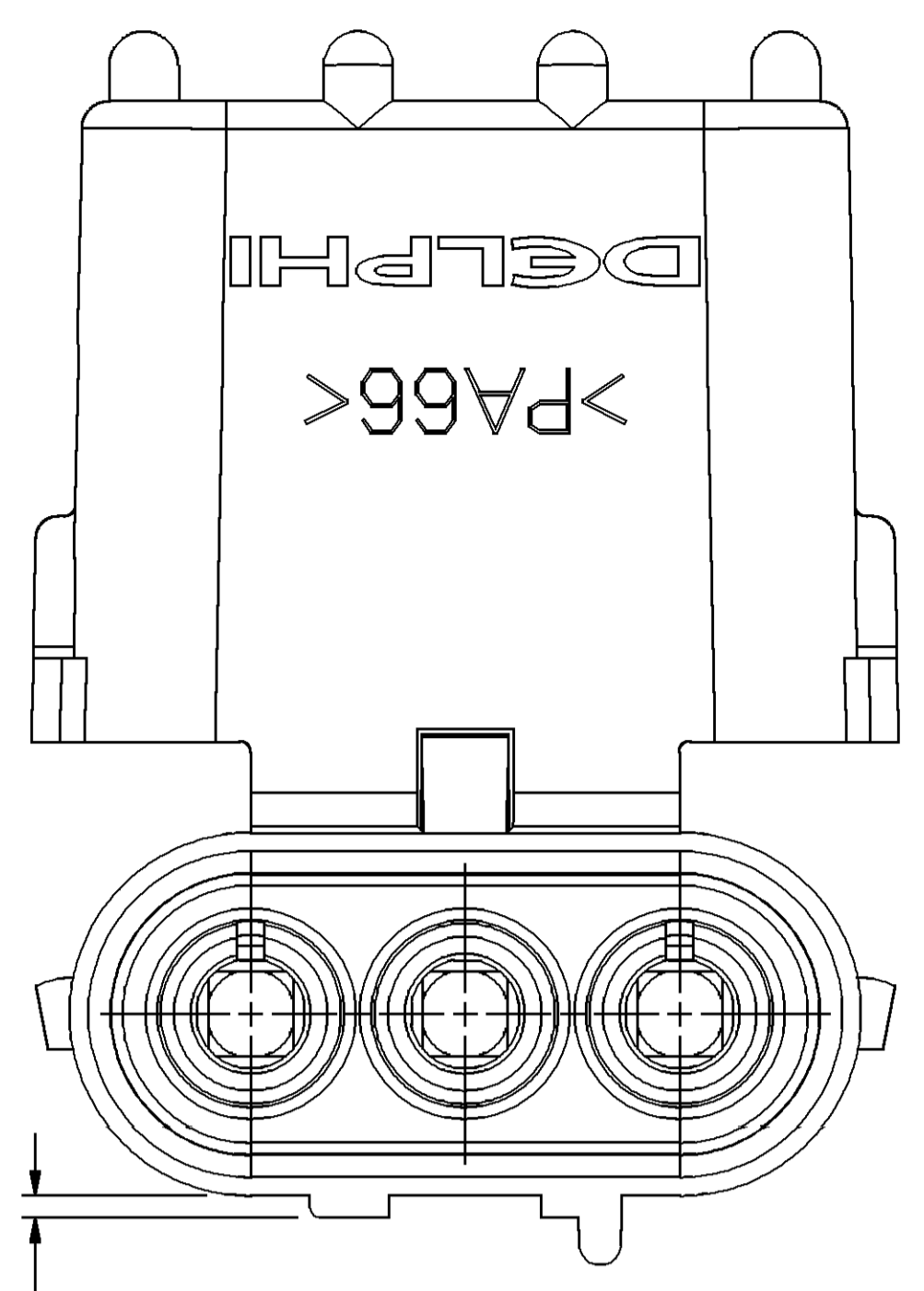
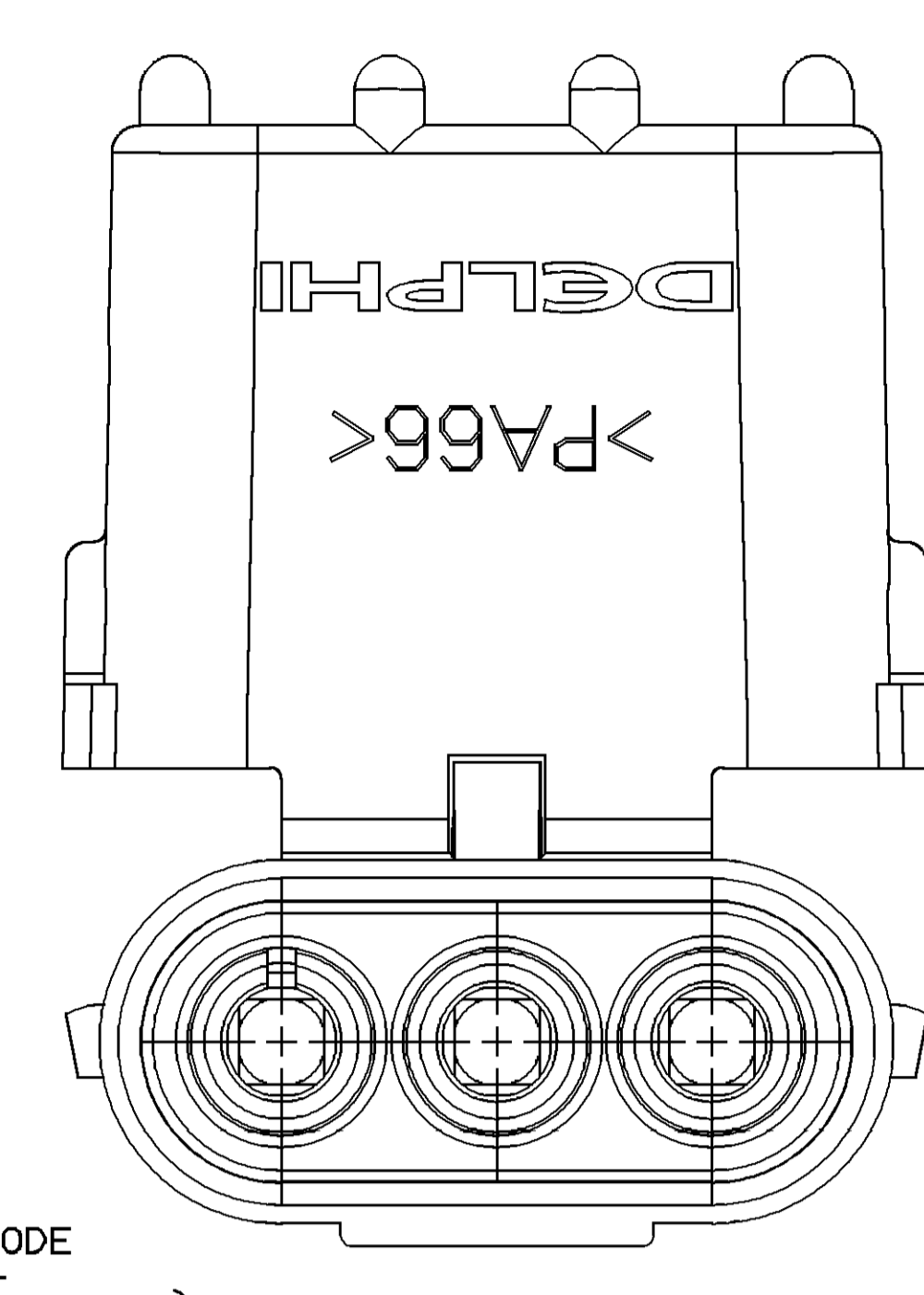


SYMBOL DEFINITION		MISSING SYMBOLS	
A DIMENSION WITHOUT AN INSPECTION REPORT SYMBOL DOES NOT REQUIRE INSPECTION. IT MAY BE CONTROLLED ON THE INDIVIDUAL COMPONENT DRAWING.	TOTAL NO OF INSPECTIONS REQUIRED	NO MISSING SYMBOL NUMBER	
	23		
	LAST NO. USED		
	17		

DWS STATUS					REVISION HISTORY				AUTH		DR		APVD		
DATE	STG	REV	N/P	ZONE	DATE	REV	DESCRIPTION	DATE	REV	DATE	REV	DATE	REV	DATE	REV
08JUL02	R	02	-	-			CLEARED REV COLUMN: 12010717 - MAT'L SPEC WAS R0067547 PA6-BLK; 12015092 - MAT'L SPEC WAS R0064530 PA6-RED; 12015460 - MAT'L SPEC WAS R0065644 PA6-BLU	226196	JGR	EDV	RC				
16JUL07	R	03	-	-			ADDED NOTE B; UPDATED MATERIAL DESCRIPTION	401863	PJC	PJC	SS				
28OCT09	R	04	-	-			ALL ACTIVE PARTS - DIM 13 +0.3/-0.15 WAS 13 +/- 0.15	409347	APR	APR	APR				
17JUN10	R	05	-	-			13831309 - RELEASED	411088	JEG	JAA	FOO				
14JUL10	R	06	-	-			13831309 - ADDED DIMS (2 PLCS)	411329	ESC	ESC	FOO				
21OCT10	R	07	-	-			ALL ACTIVE PARTS - DIM 19 +0.15/-0.2 WAS DIM 19 +/- 0.15	412331	LHT	LHT	R6C				

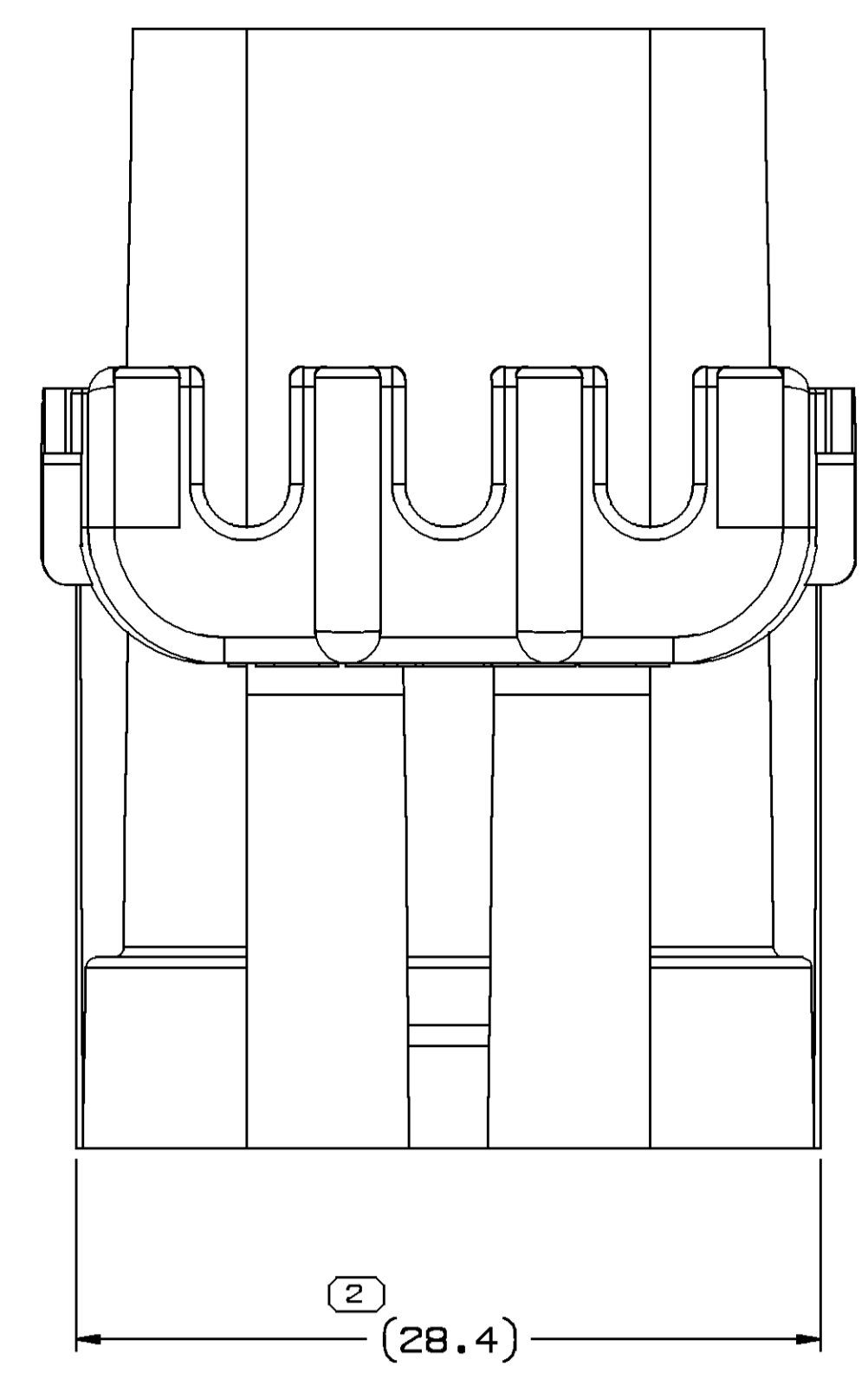


TYPE 103
SAME AS TYPE 101
EXCEPT AS SHOWN
NO OPTIONAL CONSTRUCTION ALLOWED

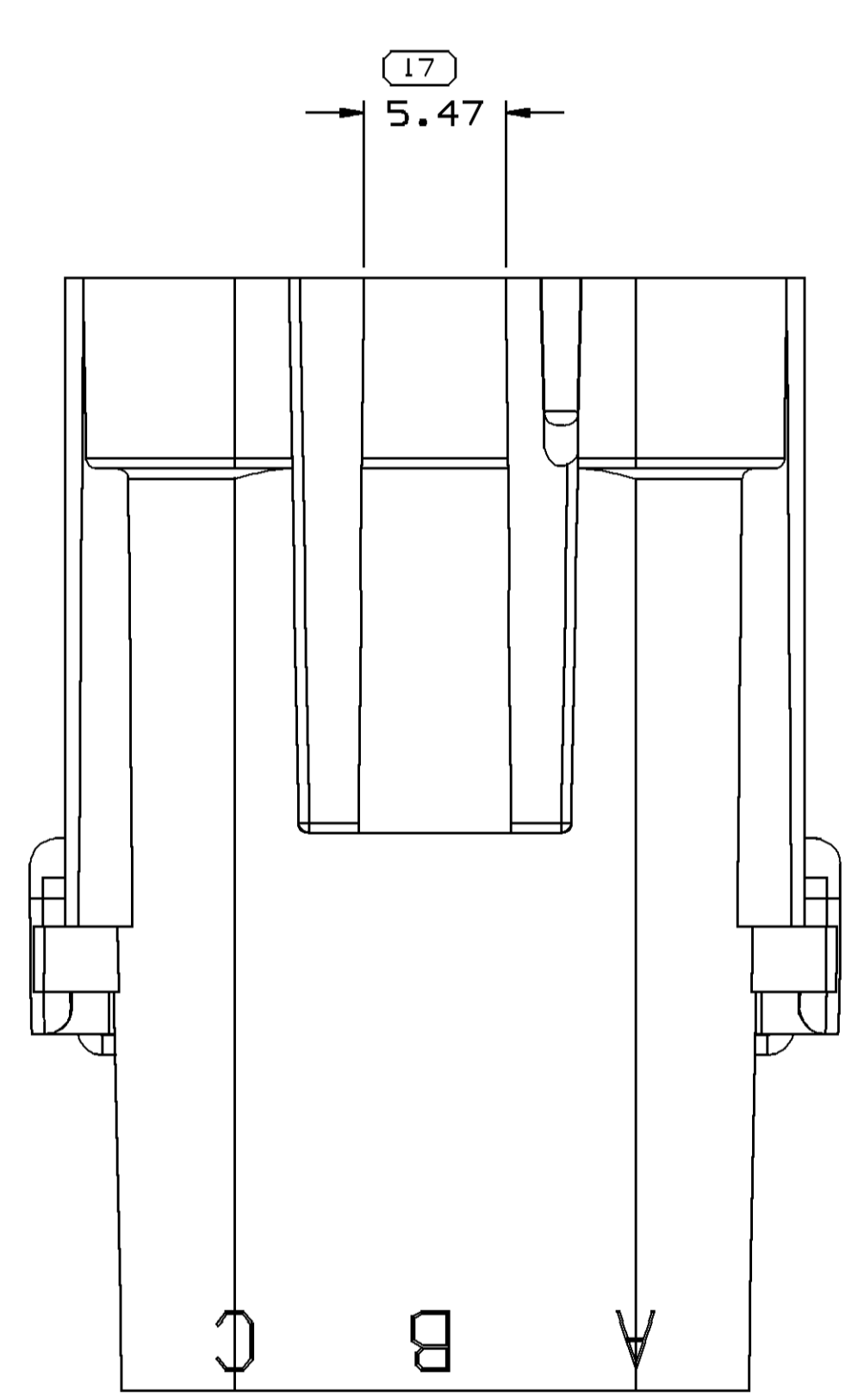


INDEX CODE
-100-
(ALSO SEE HANDBOOK)

TYPE 102
SAME AS TYPE 101
EXCEPT AS SHOWN

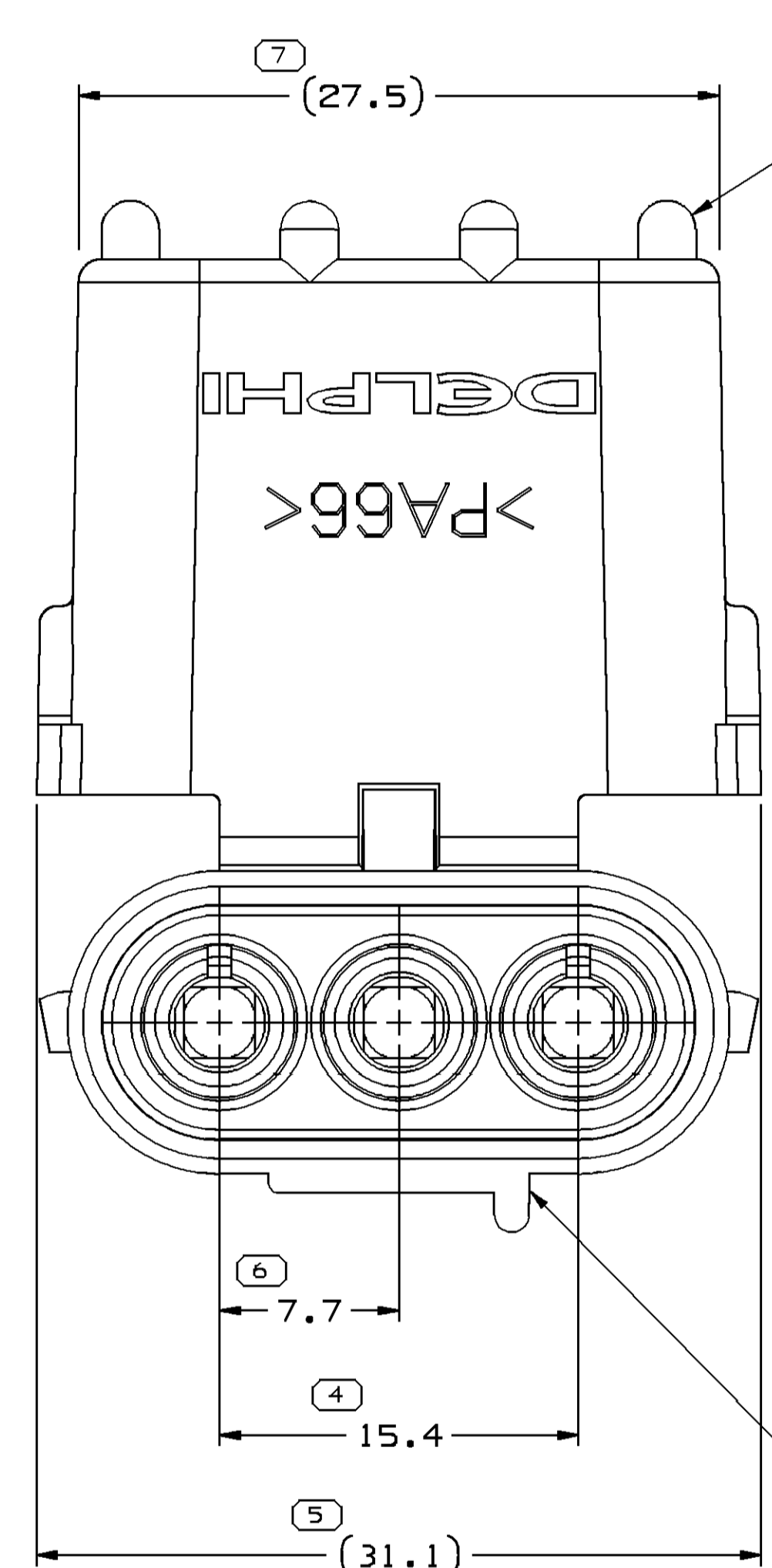


2
(28.4)



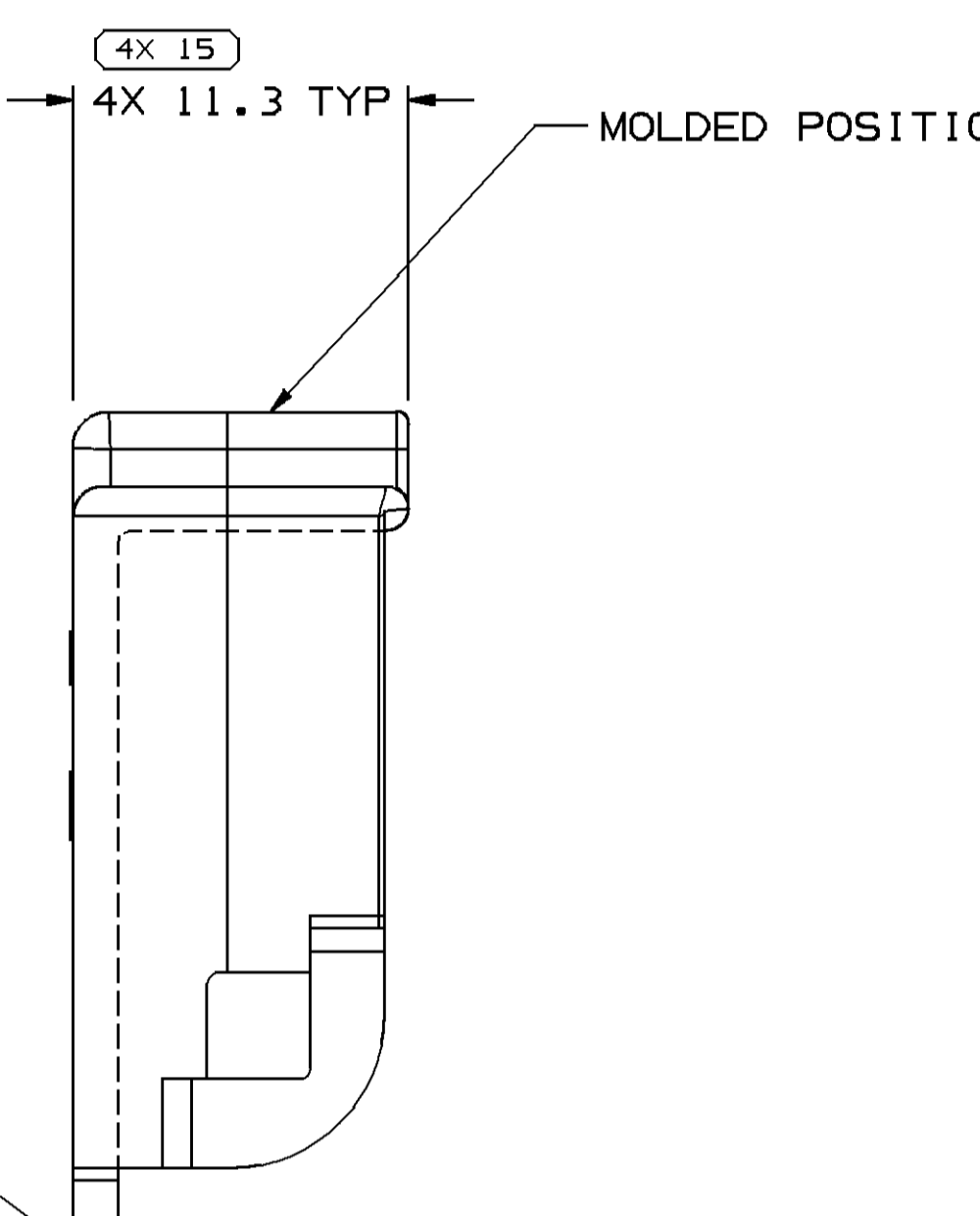
17
5.47

INDEX CODE
-101-
(ALSO SEE HANDBOOK)



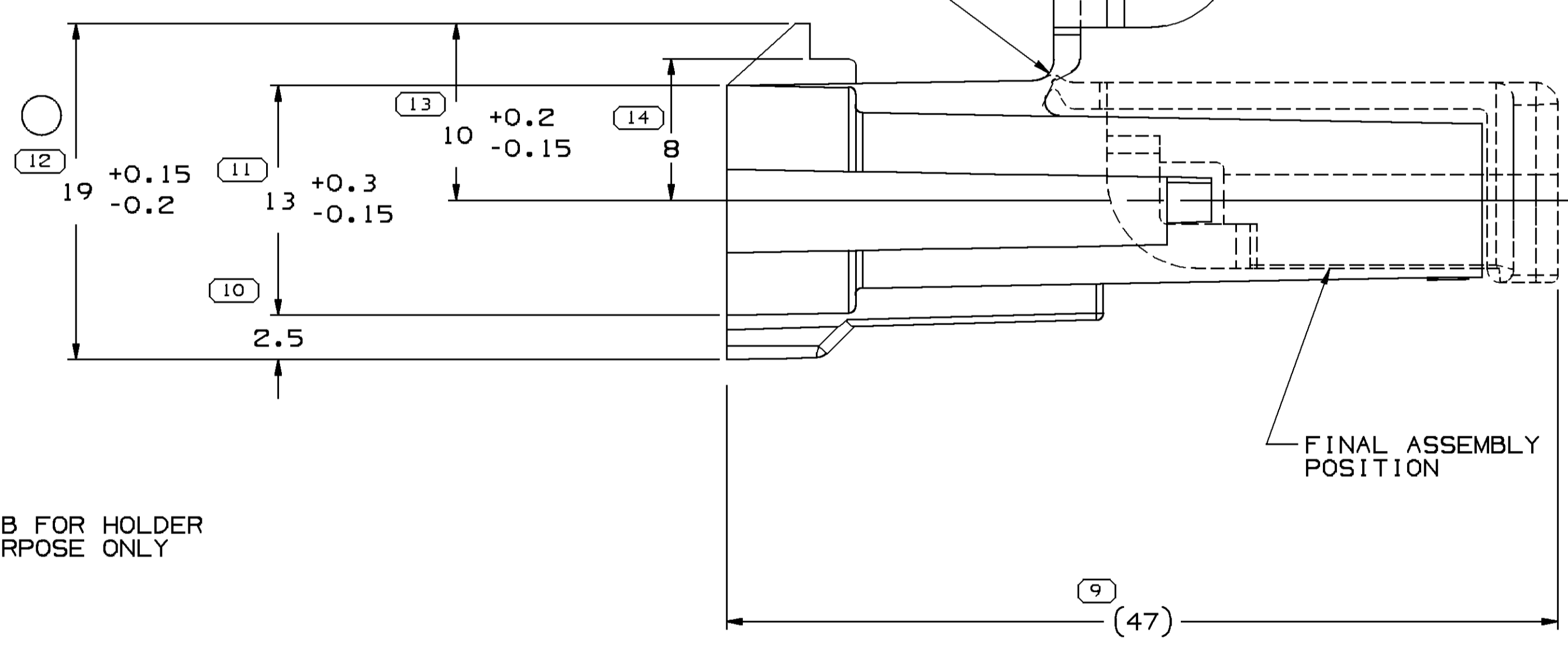
TYPE 101

RIB FOR HOLDER
PURPOSE ONLY



SCALE 2:1

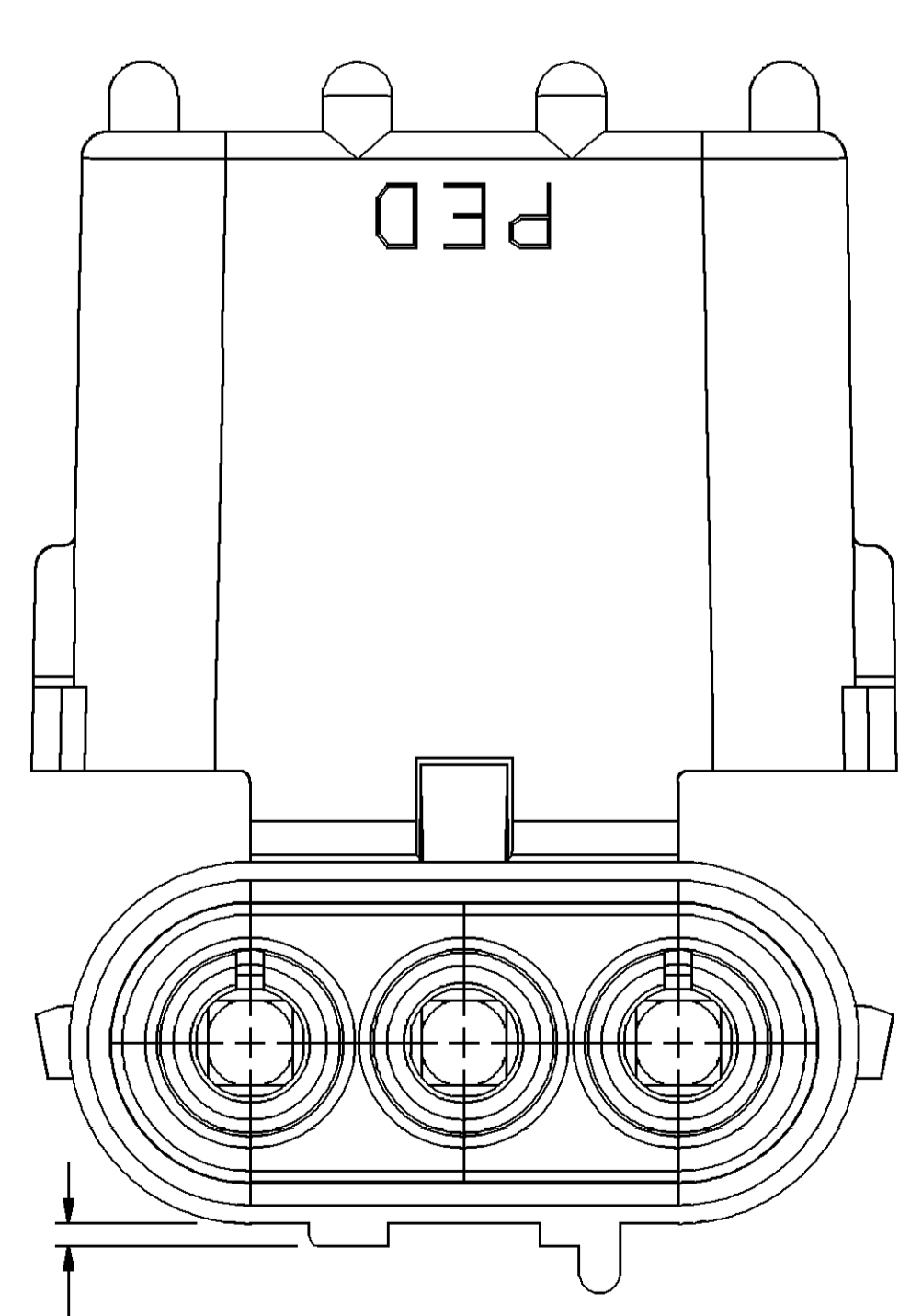
FLEX AREA MAY EXHIBIT
MATERIAL SEPARATION
AFTER FINAL ASSEMBLY.



PULL OUT RIBS PERMITTED ALONG
THIS AND OPPOSITE SURFACE.

NOTES

- UNLESS OTHERWISE SPECIFIED AND/OR INDICATED: DIMENSIONS ARE TO FACE OF VIEW SHOWN AND AUTOMATICALLY ROUNDED BY COMPUTER FOR INSPECTION (SEE MATH MODEL FOR PRECISE DIMENSIONS). FOR ALL OTHER DIMENSIONS NOT SHOWN BUT REQUIRED FOR TOOL BUILD, SEE MATH MODEL FOR PRECISE TOOL PATH DATA.
- THIS PRODUCT IS NOT CATEGORIZED AS AN APPEARANCE ITEM, MINOR IMPERFECTIONS INCLUDING, BUT NOT LIMITED TO, FLOW MARKS, COLOR BLEMISHES, GATE VESTIGES, AND SOFT FLASH THAT DO NOT AFFECT THE FIT, FORM, OR FUNCTION OF THE PART ARE PERMISSIBLE PER DPNP-4.7-CS-01.
- FOR APPLICATION DATA SEE THE INDIVIDUAL APPLICATION DRAWINGS.
- CAUTION: DO NOT ATTEMPT TO COPY THIS DRAWING WHEN DESIGNING A MATING PART TO A WEATHER PACK CONNECTOR. PLEASE REQUEST THE LATEST COPY OF DRAWING NUMBER 12020084 FROM THE PACKARD ELECTRIC DIVISION.
- MATERIAL RECYCLING CODE PER ISO 11469. (2.3)X(0.1) CHARACTERS AS SHOWN TO BE LOCATED ON ANY EXTERIOR SURFACE. OPTIONAL CONSTRUCTION TO BE NO MATERIAL RECYCLING CODE.
- (2.3)X(0.1) RAISED DELPHI CORPORATE BRAND TO BE LOCATED ON ANY EXTERIOR SURFACE, PREFERABLY VISIBLE AT FINAL ASSEMBLY. OPTIONAL CONSTRUCTION TO BE "PED" OR NO LOGO.
- TO VERIFY CONNECTOR PHYSICAL ATTRIBUTES OR APPEARANCE ITEMS, REFER TO VPS-226.



2X 1
2X (0.8)

OPTIONAL CONSTRUCTIONS
TYPES 101 & 102

PART NO	REV	N/P	STATUS	MATERIAL SPECIFICATION AND COLOR	TYPE	VOLUME CM ³
13831309	01	AB		POLYAMIDE COMPOUND - BLK	103	7.895
12015460	07	AC		POLYAMIDE COMPOUND - BLU	101	7.923
12015092	07	AC		POLYAMIDE COMPOUND - RED	102	7.894
12010717	07	AC		POLYAMIDE COMPOUND - BLK	101	7.923

DIMENSIONAL RANGE (MM)		TOLERANCE		CHART EST	
FROM	TO	±	°	±	°
> 0	> 20	> 30	> 70	> 100	> 150
20	70	100	300	500	1000
100	300	500	1000	1500	3000
300	500	1000	1500	3000	4000
10.15	±0.2	±0.3	±0.4	±0.5	±0.6
10.15	±0.2	±0.3	±0.4	±0.5	±0.6
10.15	±0.2	±0.3	±0.4	±0.5	±0.6
10.15	±0.2	±0.3	±0.4	±0.5	±0.6

DELPHI
DELPHI PACKARD ELECTRICAL/ELECTRONIC ARCHITECTURE
WARREN, OH

DRG TYPE	PART DRAWING
STYLE	
VOLUME (OMP)	SEE CHART
DISTR CODE	D
UNLESS OTHERWISE SPECIFIED	
THIS DOCUMENT IS IN ACCORDANCE WITH ASME Y14.5M-1994 AS MODIFIED BY THE 2003 DIMENSIONING AND TOLERANCING ADDENDUM - 1997. ALL GEOMETRIC TOLERANCES AND RELATED DATUMS SHALL BE PER ASME Y14.5M-1994 AND Y14.5M-1994 ADDENDUM - 1997. ALL DIMENSIONS UNLESS OTHERWISE SPECIFIED SHALL BE TO UNLESS OTHERWISE SPECIFIED.	
SEPARATE POSITION CALLOUTS MAY BE SHOWN SEPARATELY, IRRESPECTIVE OF DIMENSION REFERENCE.	
ALL DIMENSIONS ARE IN MILLIMETERS	
REFERENCE	
THIRD ANGLE PROJECTION	DO NOT SCALE
USE MATH DATA	

DRAWING NUMBER: 12015482

DATE: 16 JUL 79

SCALE: 4:1

SHEET NO: 1 OF 1

REV: 07