

FEATURES

- Tin plated copper tube
- Durable nylon insulation
- Flared entry design for quick and easy wire insertion
- Durable and reliable termination
- Cost effective
- Easy to crimp using a ratchet tool

RS PRO Closed End Splice Connector, Clear, Insulated, Tin 0.5 → 1.5 mm²

RS Stock No.: 534-907



RS Professionally Approved Products bring to you professional quality parts across all product categories. Our product range has been tested by engineers and provides a comparable quality to the leading brands without paying a premium price.

Product Description

From RS PRO an insulated closed end crimp connector is a type of crimp terminal designed for the quick and easy joining or splicing of two or more electrical wires to form a permanent and reliable solderless connection. This RS PRO closed end connector is professionally designed using high-quality materials, with a tin plated copper barrel and a durable transparent nylon sleeving. The nylon sleeving has a flared entry design for easy insertion of your wires avoiding any turned back strands.

General Specifications

| | |
|----------------------------|---|
| Splice Type | Closed End |
| Shrouded/Unshrouded | Shrouded |
| Contact Material | Copper |
| Contact Plating | Tin |
| Colour | Clear |
| Insulation | Insulated |
| Insulation Material | Nylon |
| Application | Industrial control systems, Automotive and transportation sector, Machine building, Electrical and electronic equipment, Commercial and domestic appliances |

Electrical Specifications

| | |
|-----------------------|-------|
| Voltage Rating | 600 V |
|-----------------------|-------|

Mechanical Specifications

| | |
|--------------------------------------|--------------------|
| Minimum Wire Size (mm ²) | 0.5mm ² |
| Maximum Wire Size (mm ²) | 1.5mm ² |
| Overall Length | 18.1mm |
| Diameter | 6.6mm |
| Minimum Wire Size (AWG) | 22AWG |
| Maximum Wire Size (AWG) | 16AWG |
| Wire Size | 0.5 to 1.5 AWG |

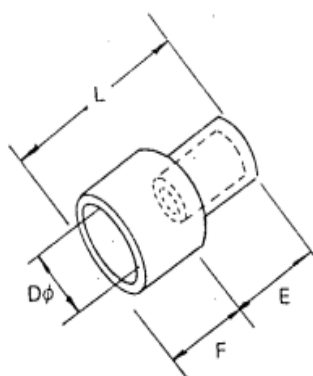
Operation Environment Specifications

| | |
|-------------------------------|---------------|
| Maximum Operating Temperature | +105°C |
| Minimum Operating Temperature | -20°C |
| Operating Temperature Range | -20 to +105°C |

Approvals

| | |
|---------------------------|---|
| Compliance/Certifications | 2011/65/EU and 2015/863 |
| Standards Met | ANSI/ESD S20.20:2014 and BS EN 61340-5-1:2007 |





| WIRE RANGE | | INSULATOR | DIMENSION (MM) | | | | COLOR |
|------------|-----------------|-----------|----------------|-----|-----|-----|-------------|
| AWG | mm ² | | L | Dφ | F | E | |
| 22-16 | 0.5- 1.5 | NYLON | 18.1 | 6.6 | 6.1 | 12. | TRANSPARENT |