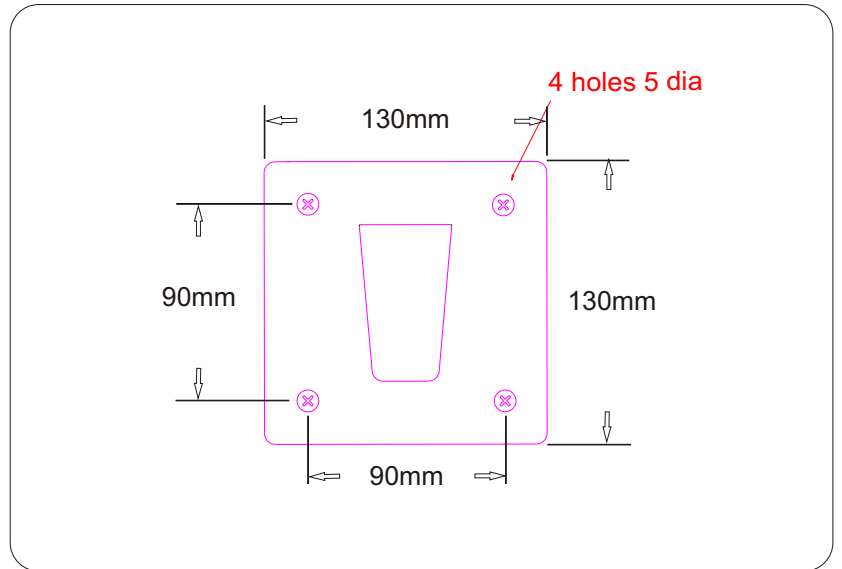




EDL Lighting Ltd



Version: BHTBP Wall Bracket

RS Order Code: 702-5264

The BHTBP Bracket incorporates a BHT bracket and a 130mm x 130mm backing plate for mounting over a 100mm x 100mm adaptable box (similar junction box). The facility for through wiring has been incorporated along with a spigot retention mechanism. This unit is compatible with all our medical XL Range or other luminaires with a 12mm spigot

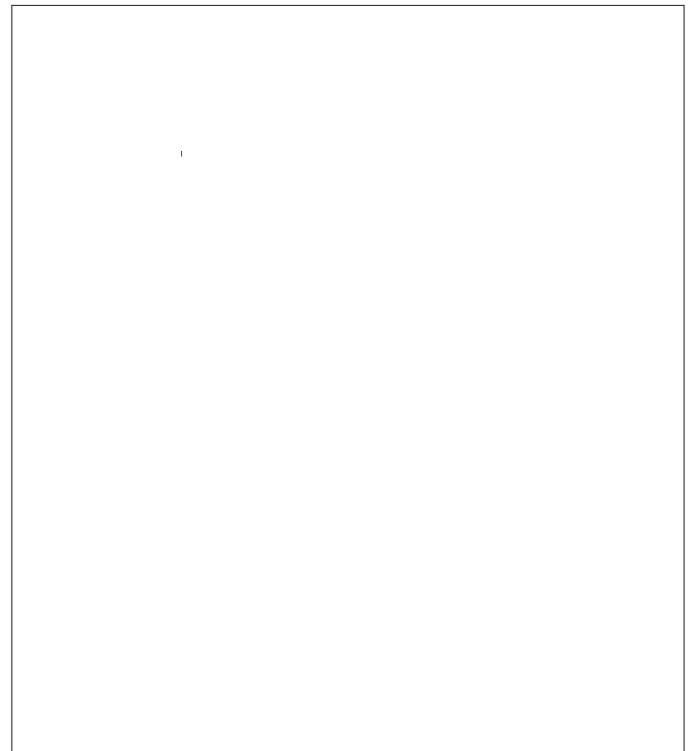
Features:

Steel backing plate powder coated

Aluminium BHT bracket

All powder coated surfaces incorporate anti-microbial properties, this can help in reducing the risk of cross contamination and subsequently infection control

Colour RAL 9010



EDL Lighting Limited, Redbrook lane, Brereton, Rugeley, Staffs WS15 1QU

Telephone: +44(0)1889 582112

Fax: +44(0)1889 584012

Email: sales@edl-lighting.co.uk Website www.edl-lighting.co.uk



EDL Lighting Ltd

EDL Lighting Limited, Redbrook lane, Brereton, Rugeley, Staffs WS15 1QU

Telephone: +44(0)1889 582112

Fax: +44(0)1889 584012

Email: sales@edl-lighting.co.uk Website www.edl-lighting.co.uk