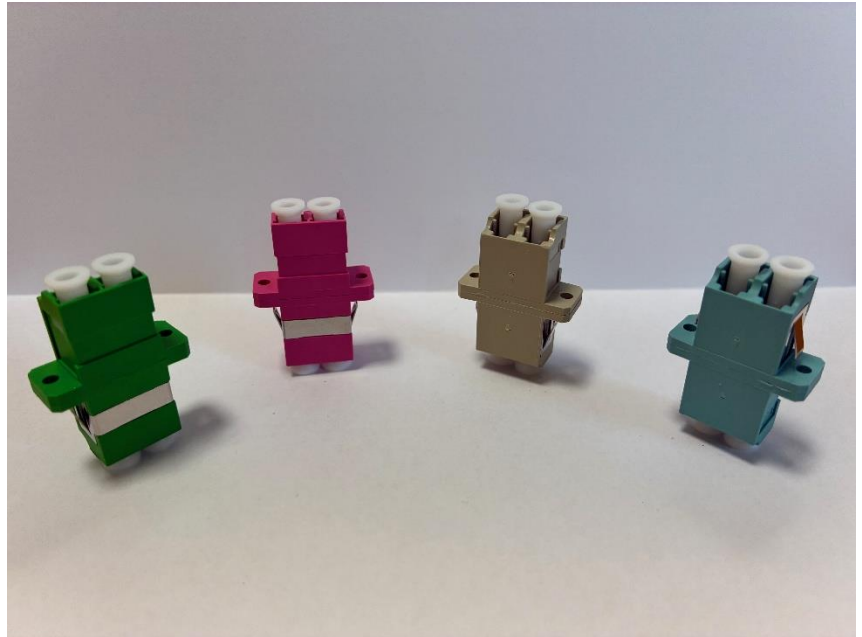


Features

- High precision alignment ceramic sleeve
- Mating durability over 200 connections
- Compliant to IEC 61754-20

RS PRO Adapter LC/PC Dx rect.-Zr sleeve

RS Stock No.: 0794537



RS PRO is the own brand of RS. The RS PRO Seal of Approval is your assurance of professional quality, a guarantee that every part is rigorously tested, inspected, and audited against demanding standards. Making RS PRO the Smart Choice for our customers.

Product Description

This specification covers the requirement of the adapter LC Duplex SC Footprint for MM applications according to IEC 61754-20.

General Specifications

Colour	Beige RAL 1013
External housing	PBT 20% FRP
Dust cap	PP
Mount Plate	Stainless steel
Sleeve	Zirconia
Operating Temperature [°C]	Min. -25 Max. +70
Storage Temperature [°C]	Min. -40 Max. +85

Optical Specifications

Insertion loss variation during withdrawal	< 0.20 dB
Insertion loss variation after 500 connections	< 0.10 dB
Tensile strength of welding	> 50 N
LC Dx PC, Standard Zirconia Sleeve	< 0.15
Max Insertion Loss [dB]	IEC 61300-3-42

Approvals

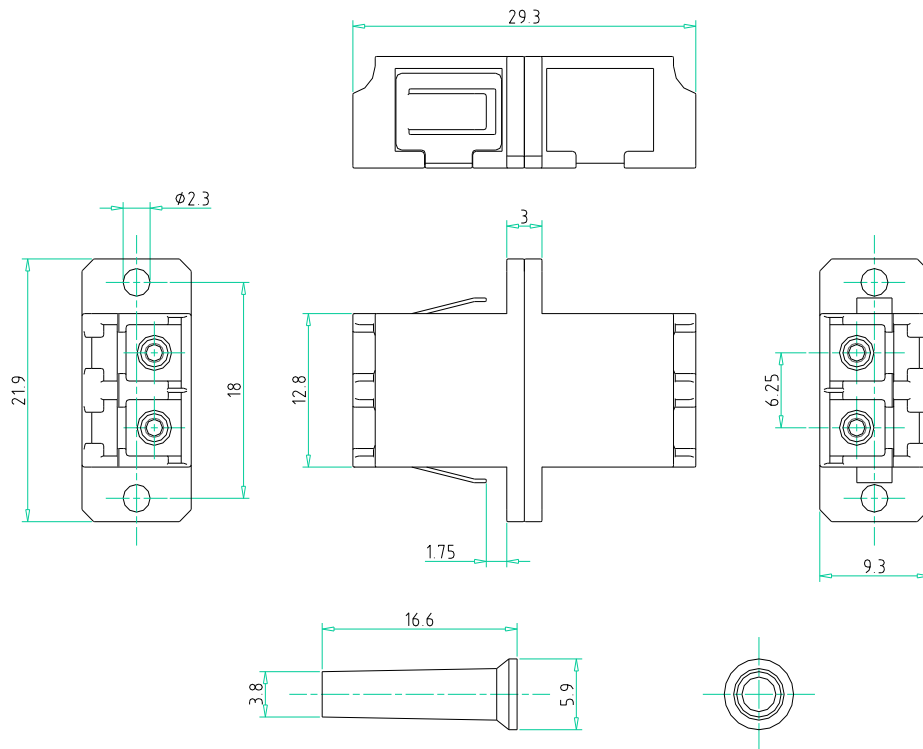
Declarations	MFR Declaration of Conformity
Hazardous Area Certification	IEC 61754-20
Standards Met	RoHS and REACH

Similar Products

Stock No.	Brand	Product Name	Attribute 1	Attribute 2
0794536	RS PRO	Adapter LC/APC Dx	Green	RAL 6018
0794538	RS PRO	Adapter LC/PC Dx	Aqua	RAL 6027
0794539	RS PRO	Adapter LC/PC Dx	Erika violet	RAL 4003

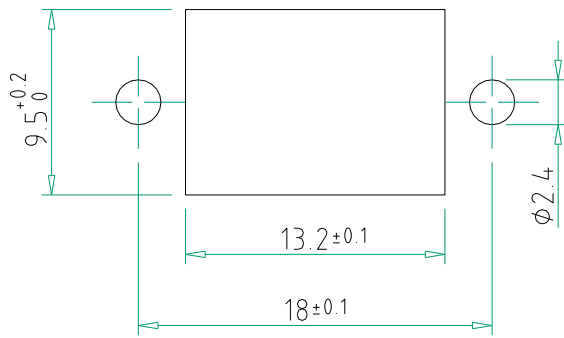
Technical Drawings

LC Duplex Adapter SC Footprint - Flanged



Recommended panel hole

Panel Hole



Panel Thickness

