

TECHNICAL CHARACTERISTICS

MATERIAL
 INSULATOR: PBT
 FLAMABILITY RATING: UL94-V0
 COLOR: WHITE
 CONTACT MATERIAL: COPPER ALLOYS
 CONTACT TYPE: STAMPED
 CONTACT PLATING: SELECTIVE GOLD
 SHIELDING: BRASS Ni PLATED
 QUALITY CLASS: 1500 MATING CYCLES

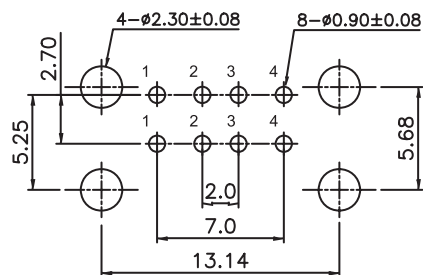
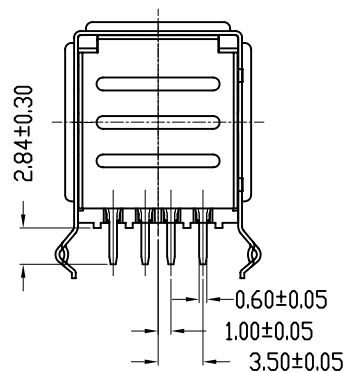
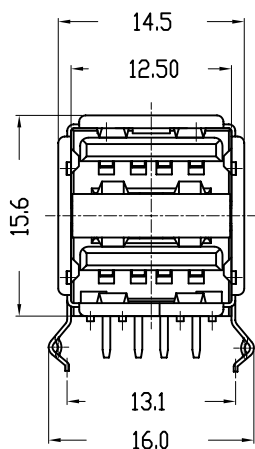
ENVIRONMENTAL
 OPERATING TEMPERATURE: -40 UP TO 105°C
 COMPLIANCE: LEAD FREE AND ROHS

ELECTRICAL
 CURRENT RATING: 1A
 WORKING VOLTAGE: 30V
 INSULATOR RESISTANCE: >1000 MOHM
 DIELECTRIC WITHSTANDING VOLTAGE: 750V AC/MN
 CONTACT RESISTANCE: 20 mOHM MAX

STANDARD
 CERTIFIED: E323964 / MODEL NUMBER 614-60

SOLDERING
 WAVE PROCESS ONLY

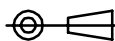
PACKAGING
 TRAY



PCB LAYOUT - COMPONENT VIEW

RoHS Compliant			
G			
F	03-OCT-11	UL	GG
E	23-JUL-11	NEW MOLD	JC
D	08-JUL-10	PACKAGING	JC
C	25-JAN-10	NEW DRAW SHIELD	JP
B	19-NOV-09	STANDARD	JP
A	23-MAR-09	NEW DRAW	JP
REV	DATE	FILE	BY

PROJECTION:



APPROVAL: RJ

GENERAL TOLERANCE

.X = +/- 0.2

.XX = +/- 0.15

UNIT: MM

SCALE:

SHEET: 1/2

DRAW: MIKE



DESCRIPTION: DUAL USB TYPE A VERTICAL

WERI PART NO: 614 008 260 21

SIZE

A4