

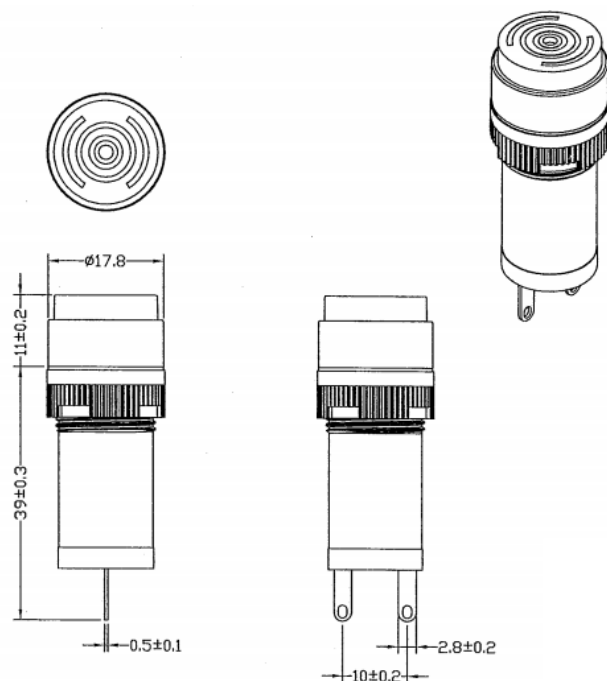
## Datasheet

### 3 A Push Button Switch, IP40

RS Stock 745-2445



#### Dimensions:



#### Specifications

Current rating : 3Amp DC12~24V  
 Operation temperature :  $-25^{\circ}\text{C}$  to  $+55^{\circ}\text{C}$   
 Electrical lifetime : 1000hr  
 Sound pressure : 80db  
 Terminal : soldering type / plug-in type  
 Wire range :  $1 \times 1.5 \text{m}^2$  max.  
 Cable range :  $2 \times 0.75 \text{m}^2$  /  $1 \times 1.0 \text{m}^2$  max.  
 Voice : Continuous tone