



- Aluminium desktop enclosure for MCR technology
- Individual height versions by profile technology
- Stacking capability using special foot shape
- Contact-uninsulated internal enclosure walls
- Internal groove for spring nuts M4 and M5

Technical data

Material:

half shell: DIN EN 1706 EN AC-AISI 12 (Fe)

profile: DIN EN 573 EN AW-AlMgSi

Ingress protection:

IP 40 to EN 60529

Colour combination:

enclosure RAL 7035, light grey

foot elements RAL 7024, graphite grey

enclosure RAL 9005, jet black

foot elements RAL 3003, ruby red

Painting:

powder coating

Temperature range:

-40°C to +80°C

Included in delivery

Enclosure system with foot/head elements, front plate/rear panel please order separately

Wavetronic

Programme range

Enclosure type	Order No.	Enclosure ext. dimensions* W x L x H (mm)	Weight (g)	Colour combination	Front plate/rear panel (set, 2 pcs.)	Front plate connector area
Wavetronic 1	07.70 01 01	324 x 268 x 55	2300	grey/anthracite	07.70 00 91	287 x 37
Wavetronic 1	07.70 02 01	324 x 268 x 55	2300	black/red	07.70 00 91	287 x 37
Wavetronic 2	07.70 01 02	324 x 268 x 101	2700	grey/anthracite	07.70 00 92	287 x 83
Wavetronic 2	07.70 02 02	324 x 268 x 101	2700	black/red	07.70 00 92	287 x 83
Wavetronic 3	07.70 01 03	324 x 268 x 147	3100	grey/anthracite	07.70 00 93	287 x 129
Wavetronic 3	07.70 02 03	324 x 268 x 147	3100	black/red	07.70 00 93	287 x 129
Wavetronic 4	07.70 01 04	324 x 268 x 194	3500	grey/anthracite	07.70 00 94	287 x 176
Wavetronic 4	07.70 02 04	324 x 268 x 194	3500	black/red	07.70 00 94	287 x 176
Wavetronic special height	07.70 01 99	324 x 268 x SH**		grey/anthracite	07.70 00 99	287 x SH***
Wavetronic special height	07.70 02 99	324 x 268 x SH**		black/red	07.70 00 99	287 x SH***

* dimensions without foot elements

** front panel fitting area + 18

*** min. special height = 75; max. special height = 300

Accessories

Mounting feet (2 pcs.), grey	07.70 00 81
Carrying handle	07.70 00 82
19" insert set (53HP / 3HU)	07.70 00 83
Spring nuts M4 (4 pcs.)	29.00 00 50
Spring nuts M5 (8 pcs.)	10.03 60 01



Wavetronic 1



Wavetronic 2

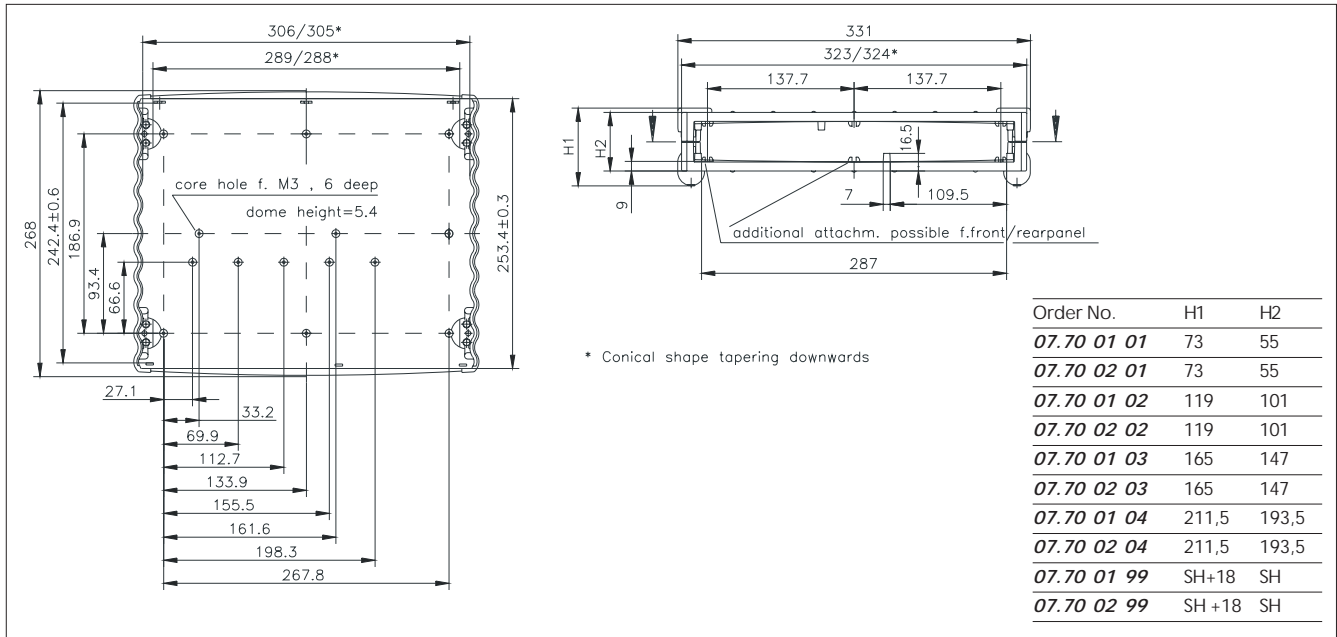


Wavetronic 3



Wavetronic 4

Dimensions

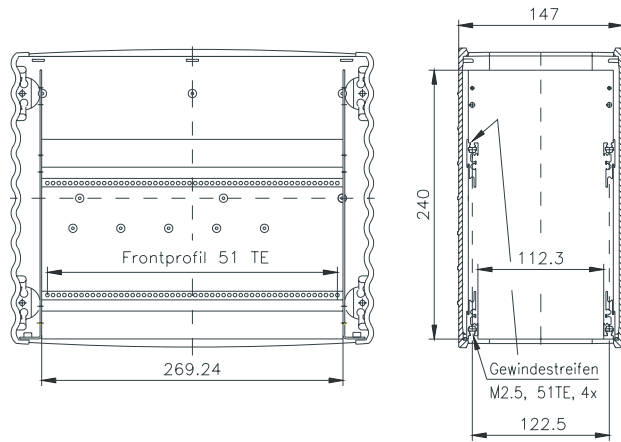


Accessories



19" insert set

Order No. 07.70 00 83

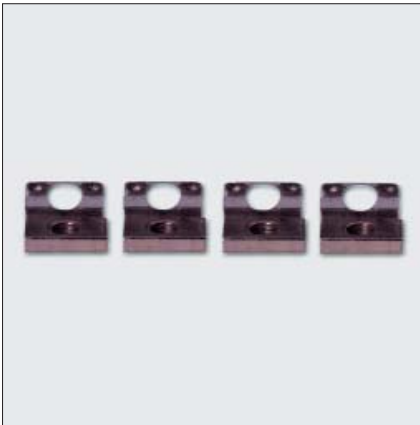


Front plate / rear wall

Wavetronic 1	07.70 00 91
Wavetronic 2	07.70 00 92
Wavetronic 3	07.70 00 93
Wavetronic 4	07.70 00 94
Wavetronic special height	07.70 00 99

Wavetronic

Accessories



Spring nuts for mounting groove

M4 (4 pieces)	29.00 00 50
M5 (8 pieces)	10.03 60 01



Mounting feet

Order No. 07.70 00 81



Handle

Order No. 07.70 00 82

Applications

