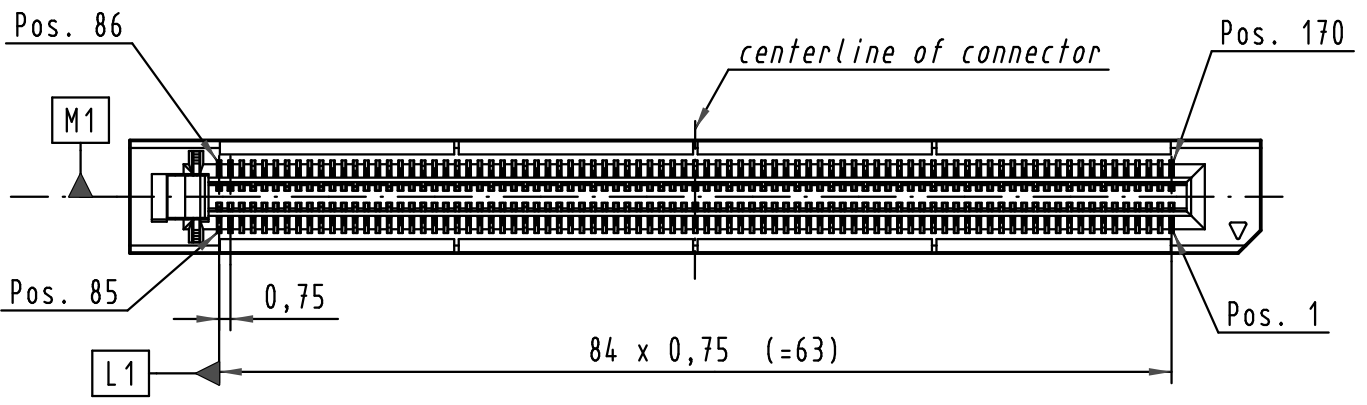
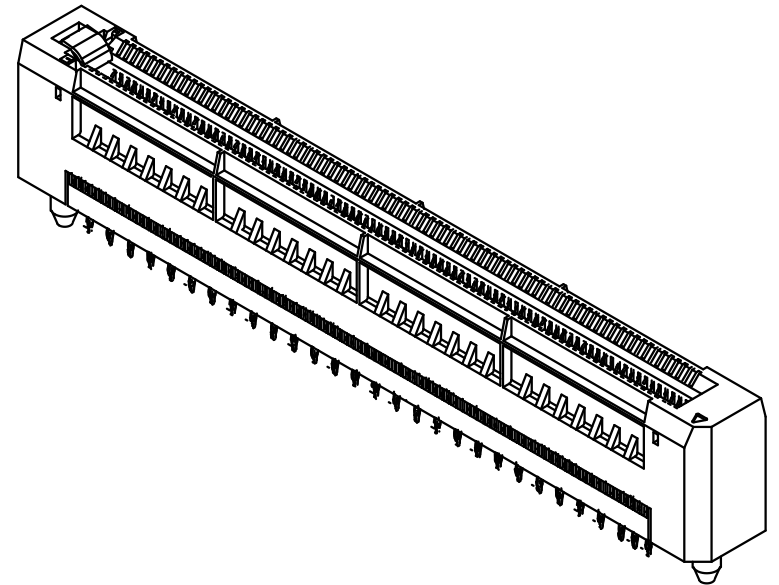
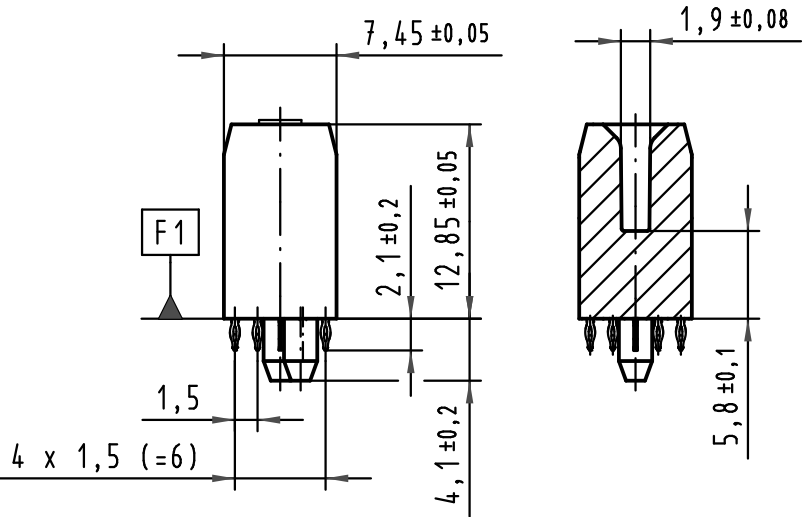
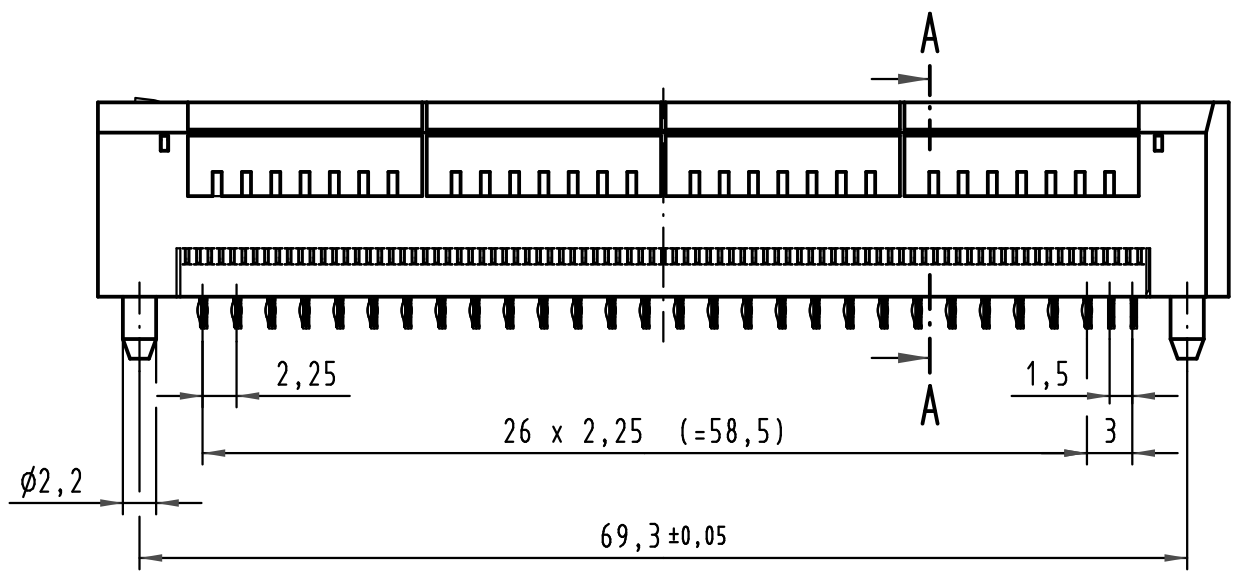
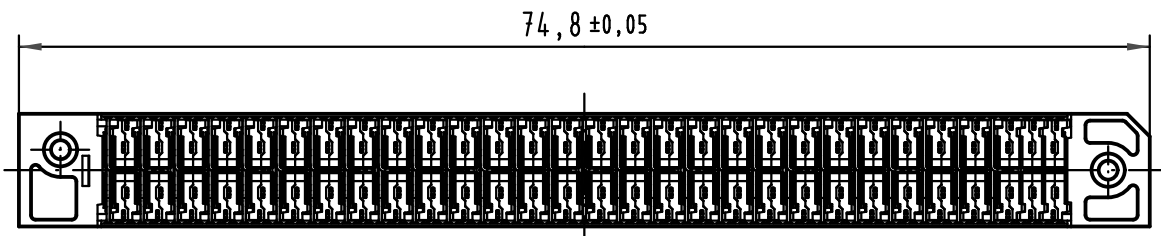
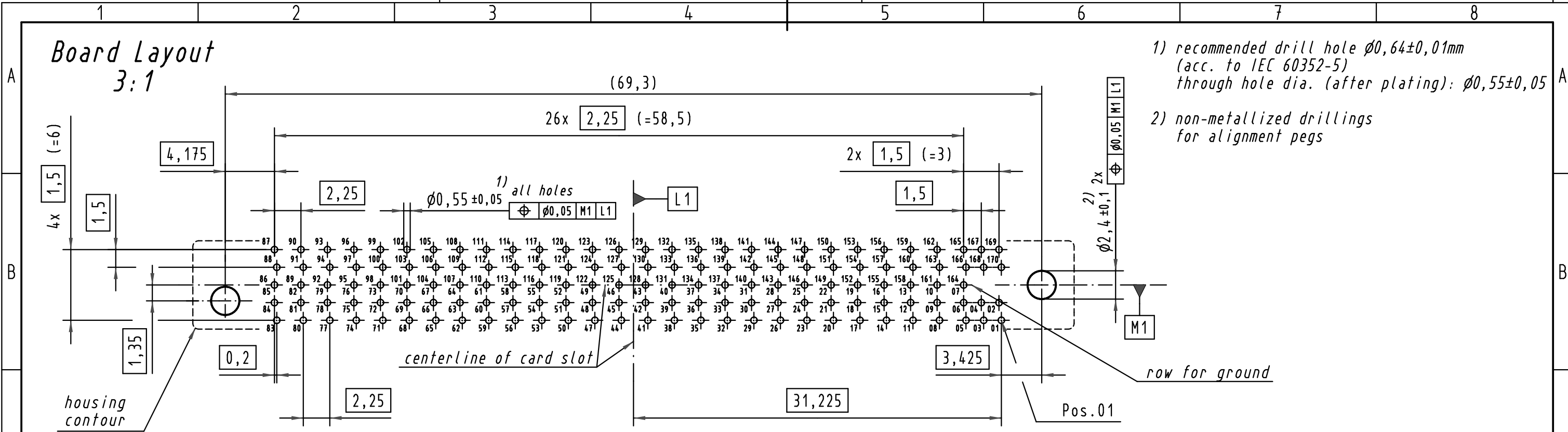


# Board Layout 3:1



missing dimensions and information acc. to PICMG MicroTCA.0  
(Micro Telecommunications Computing Architecture Base Specification)



All Dimensions in mm Original Size DIN A 3	Techn. Character.			Nicht tolerierte Maß/Free size tolerances	
	Dat.	Name	Maßstab/Scale	<b>AdvancedMC connector for MicroTCA 170 pole, press-fit with alignment pegs</b>	
Detail.	25.09.09 hsv	2:1			
Insp.	25.09.09 Lue.		3:1		
Stand.			<b>TB 16 11 170 5206 000</b>		Blatt/page
35928	HARTING Electronics GmbH & Co. KG D-32339 ESPELKAMP				
Mod.	Dat.	Name	Sub.		

Alle Rechte vorbehalten. All rights reserved