

## Specifications

Insulation Resistance: 1000MΩ at 500V DC  
 Withstanding Voltage: 500Vrms  
 Current Rating: 0.5A  
 Operating Temp. Range: -55°C to +85°C  
 Reflow Solder Temp.: 235°C max for 3sec.  
 Mating Cycles: 10,000 times



## Materials and Finish

Insulator: LCP, glass filled (UL94V-0)  
 Push Button: Glass reinforced PBT (UL94V-0)  
 Cover: Stainless Steel  
 Contacts: Brass  
 Plating: Contacts - Gold (15μ") over Nickel (40μ")  
 Solder Tails - SnBb (100μ") over Nickel (40μ")

## Features

- Adapter for Compact Flash Card Type I and II
- With push button ejector (optional)

## Part Number (Details)

CF 050 P2 - \* 0 3 - \* 0 - DS 1

Series

No. of Contacts

Stand-off Height:

0 = without

1 = 2.20mm

0 = Top Mounted on PCB

3 = 90° SMT

Ejector:

0 = Without

1 = Right Side

Plating Area:

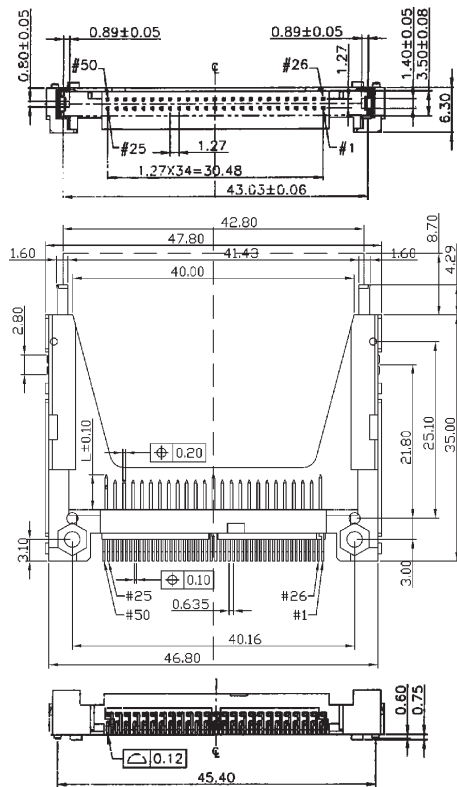
Contacts: Gold (15μ") over 40μ" Nickel

Solder Tails: 100μ" Tin over 40μ" Nickel

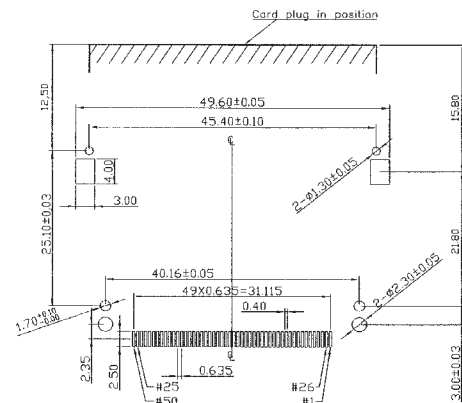
No Mark = Without Cap

1 = With Cap for automatic assembly

## Outline Dimensions (No Stand-off)



## Recommended PCB Layout



## Interface Dim. L (Length)

Power	= 5.00mm	Pin# 1, 13, 38, 50
General	= 4.25mm	all other pins
Detect	= 3.50mm	Pin# 25, 26

## Outline Dimensions (Ejector Option)

