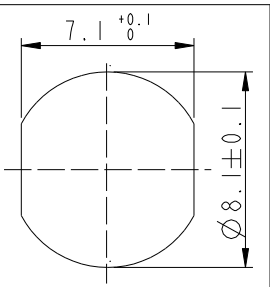
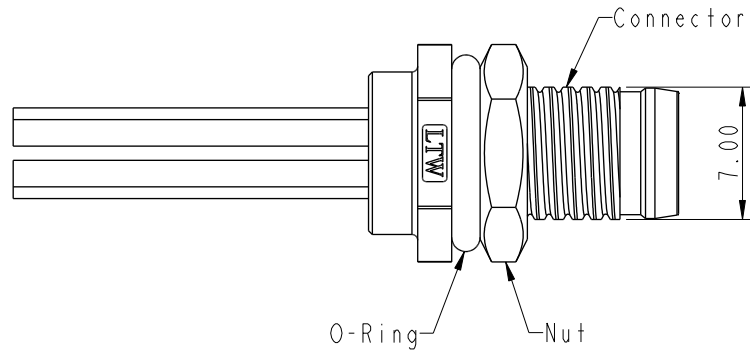
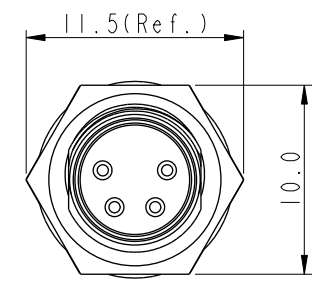
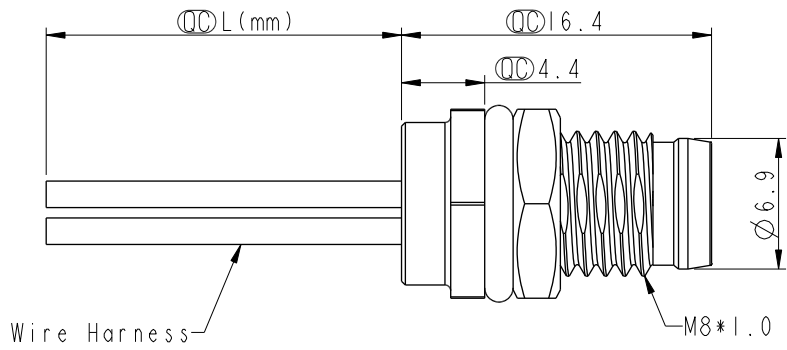


THIS DOCUMENT IS SUBJECT TO CHANGE WITHOUT NOTICE. IT IS CONFIDENTIAL AND A PROPERTY OF AMPHENOL LTW. DISCLOSURE TO THIRD PARTY HAS TO BE AUTHORIZED BY AMPHENOL LTW.

REV.	ECN NO.	DATE	SIGN	DESCRIPTION
D	E191630	2019/09/19	Ruru	Update Wire Tolerance
E	C192160	2019/12/21	Peng	\triangle E X1
F	C210686	2021/05/14	Vicky	\triangle F X8



Recommended Panel Cut-Out



- Note:
- * RoHS Compliant
 - * \varnothing Important dimension
 - * Waterproof rate: IPX7, unmated
 - * Connector Housing: Thermoplastic, Black
Pin: Copper alloy, Gold plated
 - * Shield: Metal
 - * Nut: Metal
 - * O-Ring: Rubber, Black
 - * Wire harness: UL1007
 - * For panel thickness max: 4.5mm
 - * O-Ring and nut are assembled on connectors
 - * Wire harness tolerance: 100mm: ± 10 mm
100mm < L \leq 300mm: ± 15 mm
300mm < L \leq 1000mm: ± 20 mm
1000mm < L \leq 1500mm: ± 50 mm

UNIT: mm		TITLE O SEN, M8 RECEPTACLE, M, M, SOLDER			ITEM NO	DRAWN BY	DATE
		SCALE 2:1	SIZE A4		SHEET 1 OF 2	DWG NO \triangle F 8-XXPMS-SF7AXX	CHECKED BY Rita
TOLERANCE .X ± 0.25 .XX ± 0.1 .XXX ± 0.05 ANGLES $\pm 1^\circ$		REV. F	WC-REV. B.2	\varnothing : Inspection item	CUSTOMER ALTW	APPROVED BY Max	DATE 2019-09-18

Amphenol LTW
安費諾亮泰企業股份有限公司

THIS DOCUMENT IS SUBJECT TO CHANGE WITHOUT NOTICE. IT IS CONFIDENTIAL AND A PROPERTY OF Amphenol LTW. DISCLOSURE TO THIRD PARTY HAS TO BE AUTHORIZED BY Amphenol LTW.

7		8
4P	24	8-04PMMS-SF7AXX
3P		8-03PMMS-SF7AXX
△F Contacts	AWG	Item No.



XX: No. Of Pin

10: 100mm
 15: 150mm
 20: 200mm
 }
 95: 950mm
 Cable Pitch Unit=50mm

A0: 1000mm
 }
 A5: 1500mm
 Cable Pitch Unit=100mm
 Wire Length (L): 150~1500 mm

Pin Out	4	Black	黑	4	Black	黑
	3	Blue	藍	3	Blue	藍
	1	Brown	棕	2	White	白
				1	Brown	棕
	Pin #	Wire		Pin #	Wire	
Conn.	 3P			 4P		

△F Pin Assignments Front View

UNIT:mm		TITLE	O SEN, M8 RECEPTACLE, M, M, SOLDER		△F
TOLERANCE	.X ±0.25 .XX ±0.1 .XXX ±0.05 ANGLES ±1°	SCALE	2:1	SIZE	A4
		REV.	F	WC-REV.	B.2
				◎: Inspection item	
				SHEET	2 OF 2

Amphenol LTW
 安費諾亮泰企業股份有限公司

ITEM NO	8-XXPMMS-SF7AXX	DRAWN BY	Ruru	DATE	2019-09-18
DWG NO	△F 8-XXPMMS-SF7AXX	CHECKED BY	Rita	DATE	2019-09-18
CUSTOMER	ALTW	APPROVED BY	Max	DATE	2019-09-18