



22MM METAL ROUND ACTUATOR: PUSHBUTTON WITH FLAT BUTTON WITH HOLDER BLACK INSCRIPTION WITH SYMBOL: O SOLVENT RESISTANT

Actuator:

Design of the operating mechanism		pushbutton with flat button
Shape / of the activation element		round
Manner of function / of the activation element		
• arresting lock		No
• tentative		Yes
Outer diameter / of the activation element	mm	28.5
Material / of the activation element		plastic

Button:

Design of the button		flat
Color / of the button		black

Front ring:

Material / of the front ring		metal
Color / of the front ring		silver

General technical details:

Design of the product		with flat button
Number of control points		1
Number of indicator lights / installable		0

Number of switching positions		2
Product extension / optional / fluorescent materials		No
Product function / emergency-OFF function		No
Type of unlocking device		without
Resistance against shock • for devices without incandescent lamp / according to IEC 60068-2-27		<= 50g
Operating cycles / maximum	1/h	1,000
Resistance against vibration / according to IEC 60068-2-6		20 ... 200 Hz: 5g
Mechanical operating cycles as operating time / typical		10,000,000
Item designation • according to DIN 40719 extendable after IEC 204-2 / according to IEC 750 • according to DIN EN 61346-2		S S

Auxiliary Contacts:

Number of NC contacts / for auxiliary contact		0
Number of NO contacts / for auxiliary contact		0
Number of change-over switches / for auxiliary contact		0

Installation/mounting/dimensions:

Product component / front ring		Yes
Material / of the housing		metal
Type of mounting		front mounting
Installation width	mm	22
Shape / of the installation hole		round
Mounting diameter	mm	22
Height	mm	30
Width	mm	30
Depth	mm	45
Tightening torque / of the screws in the holder / maximum	N·m	1

Ambient conditions:

Ambient temperature • during the operating phase • during storage	°C	70 ... -25
	°C	-40 ... 80
Protection class IP		IP67
Climatic class / according to DIN EN ISO 6270-2		KTW24

Certificates/approvals:

General Product Approval



[ROSTEST](#)



Test Certificates

[Manufacturer](#)

Shipping Approval

[ABS](#)



[PRS](#)



other

[Manufacturer](#)

Further information:

Information- and Downloadcenter (Catalogs, Brochures,...)

<http://www.siemens.com/industrial-controls/catalogs>

Industry Mall (Online ordering system)

<http://www.siemens.com/industrial-controls/mall>

CAX-Online-Generator

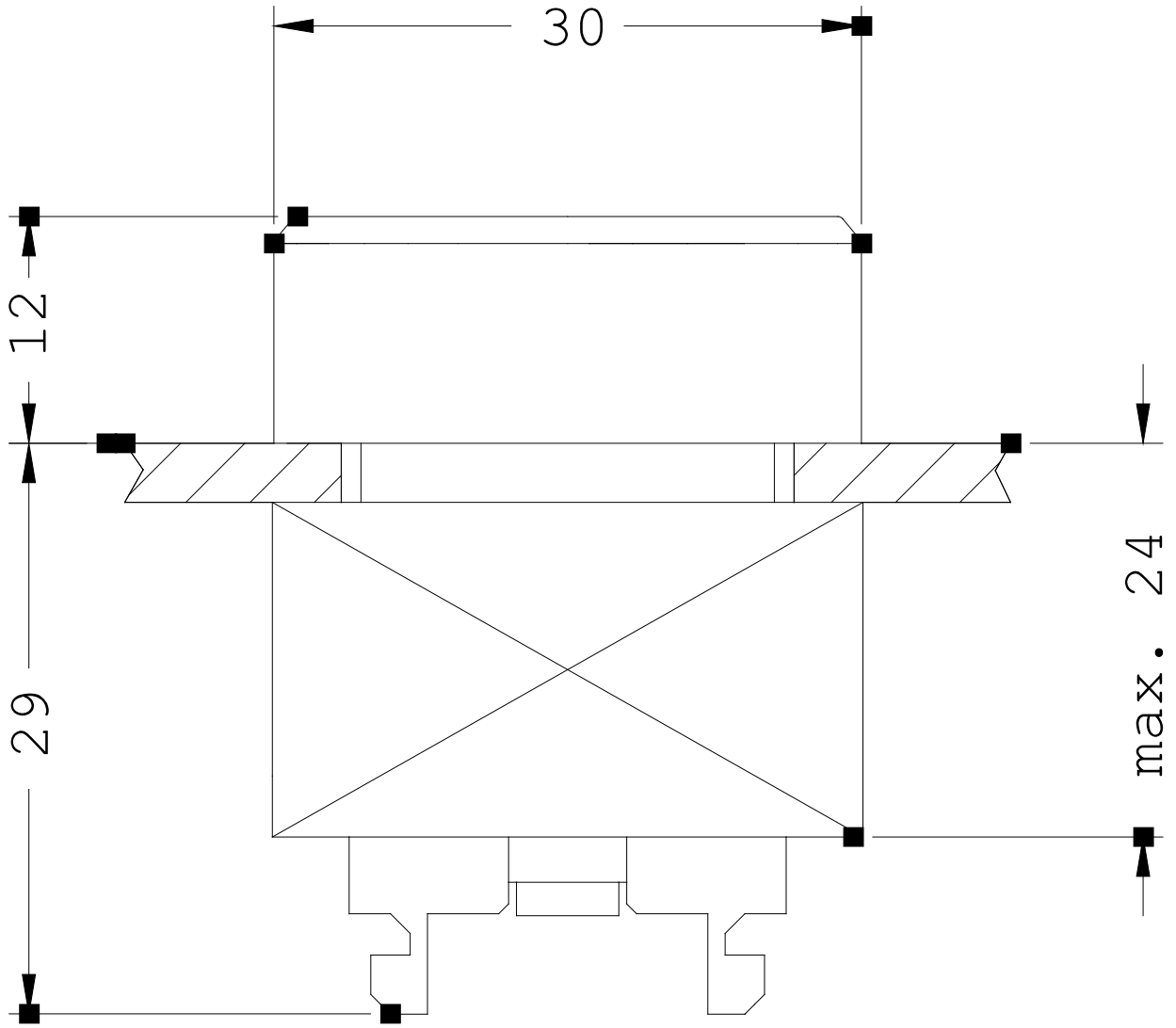
<http://www.siemens.com/cax>

Service&Support (Manuals, Certificates, Characteristics, FAQs,...)

<http://support.automation.siemens.com/WW/view/en/3SB3500-0AB21/all>

Image database (product images, 2D dimension drawings, 3D models, device circuit diagrams, ...)

http://www.automation.siemens.com/bilddb/cax_en.aspx?mlfb=3SB3500-0AB21



last change:

Sep 6, 2010