

## Mod. G7580 - Fittings Series 7000 - Automation

Product code: G7580 10-12

Datasheet creation date: 12/12/2025 08:30

Check the most updated document online [click here](#)

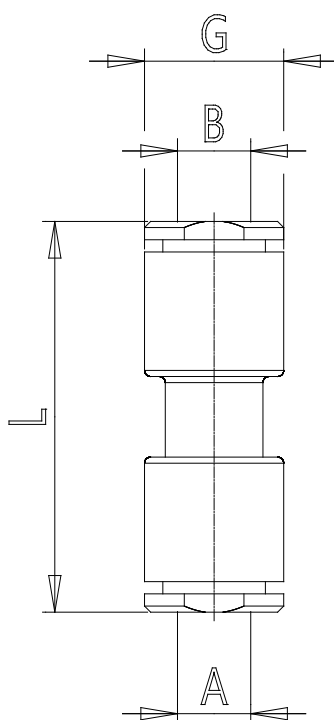


### TECHNICAL DATA

Mod.	G7580 10-12
------	-------------

## Mod. G7580 - Fittings Series 7000 - Automation

Product code: G7580 10-12



### **DIMENSIONS**

<b>A (mm)</b>	10
<b>B (mm)</b>	12
<b>GD (mm)</b>	20.0
<b>L (mm)</b>	45.5
<b>Weight (g)</b>	9.0